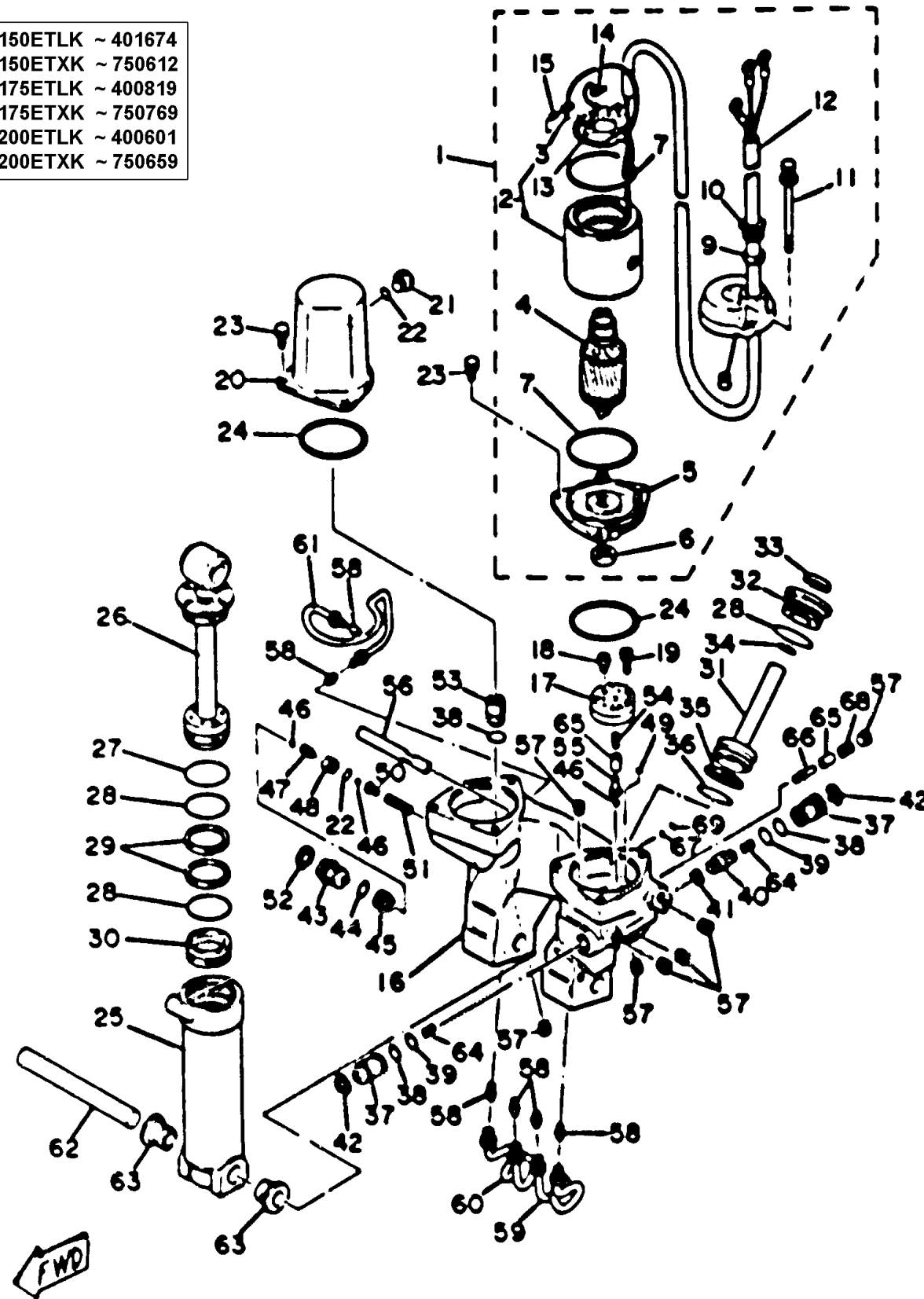


150ETLK ~ 401674  
 150ETXK ~ 750612  
 175ETLK ~ 400819  
 175ETXK ~ 750769  
 200ETLK ~ 400601  
 200ETXK ~ 750659



## POWER TRIM TILT ASSY (EARLY STYLE)

Ref No.	Part Number	Description	Qty	Remarks
1	688-43880-10-00	. MOTOR ASSEMBLY	1	
2	688-43804-01-00	.. STATOR ASSEMBLY	1	
3	688-43891-01-00	.. BRUSH 1	1	
4	688-43805-01-00	ARMATURE ASSY	1	
5	688-43881-01-00	.. FRAME, END	1	
6	688-43882-00-00	.. OIL SEAL	1	
7	688-43883-00-00	.. O-RING	2	
8	688-43884-02-00	.. FRAME, COMMUTATOR	1	
9	688-43885-01-00	.. GROMMET	1	
10	688-43886-02-00	.. BOLT	1	
11	688-43887-01-00	.. BOLT	2	
12	688-43807-10-00	.. WIRE SUB. ASSEMBLY.	1	
13	688-43806-01-00	.. BRUSH HOLDER ASSEMBLY	1	
14	688-43891-01-00	.. BRUSH 1	1	
15	90501-05M46-00	.. SPRING, COMPRESSION	1	
16	6E5-43825-01-00	. HOUSING, TRIM&TILT	1	
17	688-43830-00-00	. GEAR PUMP ASSEMBLY	1	
18	688-43831-00-00	. CONNECTOR, SHAFT	1	
19	688-43878-00-00	. BOLT, SOCKET	3	
20	688-43828-00-00	. BODY, RESERVOIR	1	

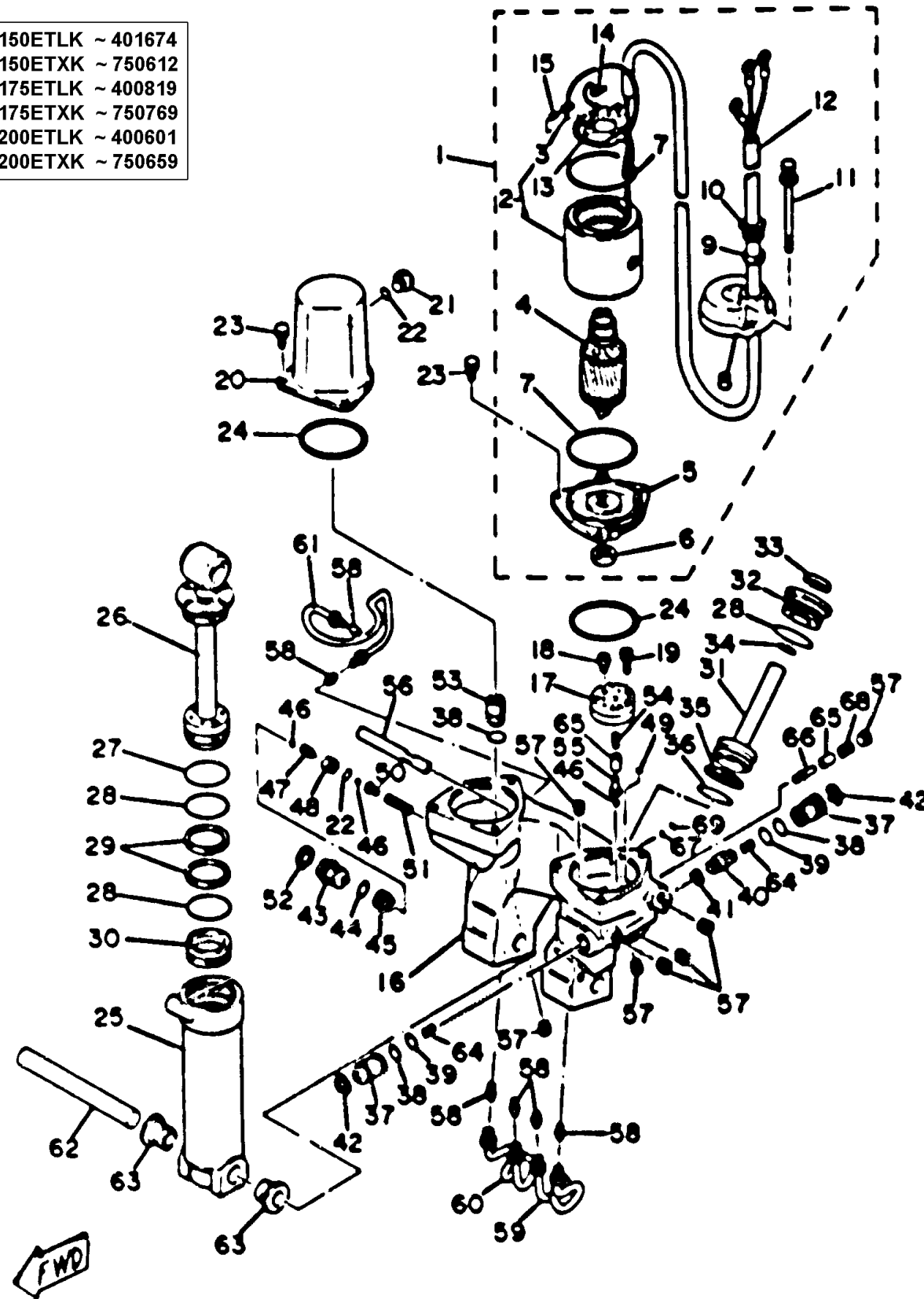
CONTINUED ON NEXT FRAME >

9-27-2010

150\_175\_200etk

C1

150ETLK ~ 401674  
 150ETXK ~ 750612  
 175ETLK ~ 400819  
 175ETXK ~ 750769  
 200ETLK ~ 400601  
 200ETXK ~ 750659



## POWER TRIM TILT ASSY (EARLY STYLE)

Ref No.	Part Number	Description	Qty	Remarks
21	688-43829-01-00	. PLUG, RESERVOR	1	
22	688-43869-00-00	. O-RING	2	
23	688-43879-00-00	. SCREW, W/WASHER	6	
24	688-43867-00-00	. O-RING	2	
25	6E5-43813-00-00	. CYLINDER, TILT	1	
26	6E5-43810-01-00	. PISTON SUB ASSEMBLY (TILT)	1	
27	688-43863-00-00	. O-RING	1	
28	688-43862-00-00	. O-RING	4	
29	688-43872-00-00	. RING, BACK UP	2	
30	6E5-43814-00-00	. PISTON, FREE	1	
31	6E5-43820-01-00	. PISTON SUB ASSEMBLY	2	
32	6E5-43821-00-00	. SCREW, TRIM CYLINDER.END	2	
33	6E5-43822-00-00	. SEAL, TRIM DUST	2	
34	93210-16275-00	. O-RING	2	
35	6E5-43874-00-00	. RING, BACK-UP	2	
36	93210-33M41-00	. O-RING	2	
37	688-43802-01-00	. VALVE SUB ASSEMBLY (MAIN)	2	
38	688-43864-00-00	. O-RING	3	
39	688-43865-00-00	. O-RING	2	
40	6E5-43841-00-00	. PISTON, SHUTTLE	1	

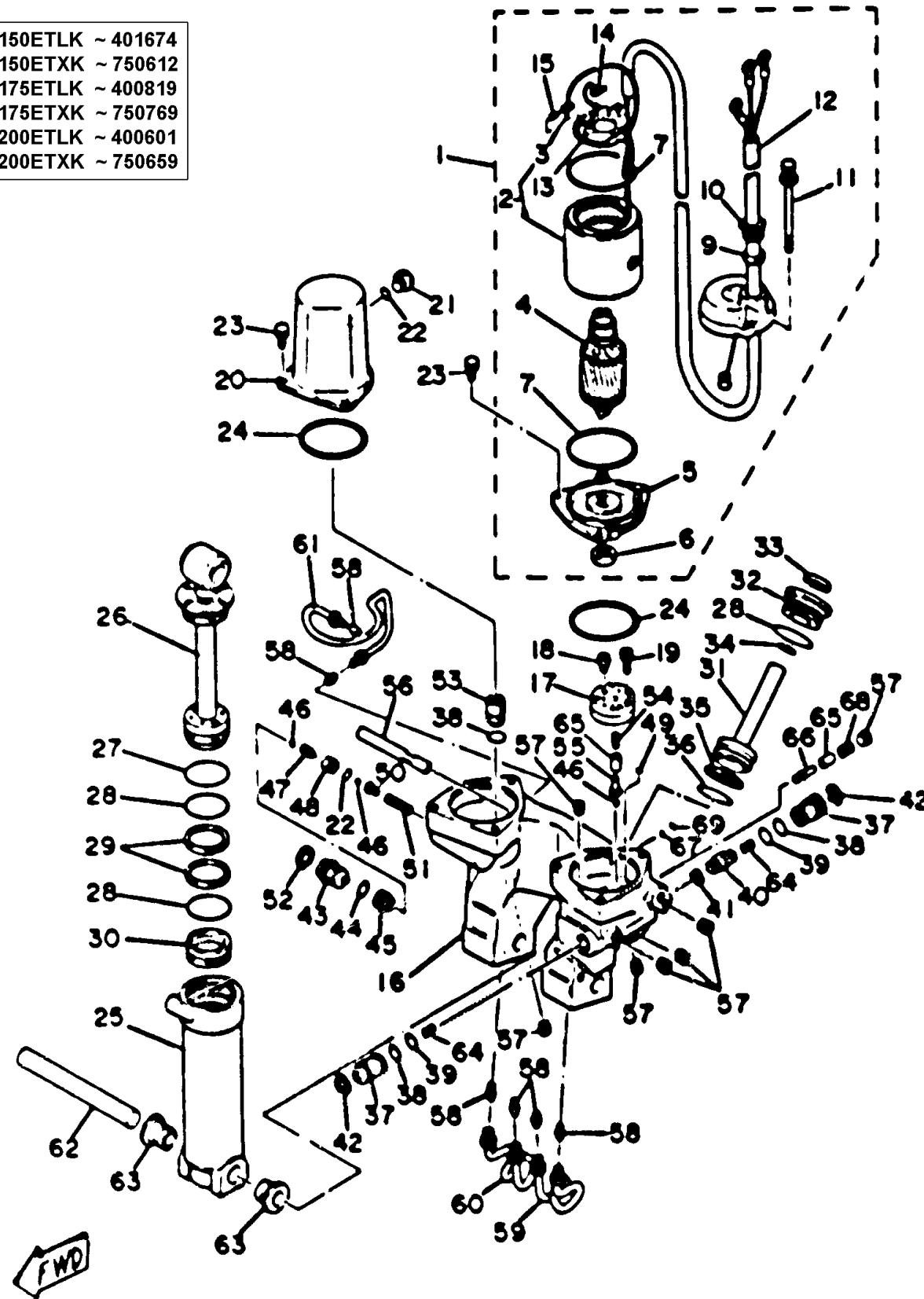
CONTINUED ON NEXT FRAME >

9-27-2010

150\_175\_200etk

C2

150ETLK ~ 401674  
 150ETXK ~ 750612  
 175ETLK ~ 400819  
 175ETXK ~ 750769  
 200ETLK ~ 400601  
 200ETXK ~ 750659



## POWER TRIM TILT ASSY (EARLY STYLE)

Ref No.	Part Number	Description	Qty	Remarks
41	688-43873-00-00	. RING, BACK UP	1	
42	688-43876-00-00	. RING, SNAP	2	
43	688-43845-00-00	. SCREW, MANUAL REL.	1	
44	688-43866-00-00	. O-RING	1	
45	688-43846-00-00	. SCREW, MANUAL VALVE	1	
46	688-43858-00-00	. BALL 1	3	
47	688-43848-00-00	. ROD, MANUAL RELEASE	1	
48	688-43847-00-00	. SEAT, MANUAL VALVE	1	
49	688-43868-00-00	. O-RING	1	
50	6E5-43849-00-00	. PIN, VALVE SUPPORT	1	
51	6E5-43854-00-00	. SRG, MANUAL RELEASE	1	
52	688-43875-00-00	. RING, SNAP	1	
53	6E5-43850-00-00	. VALVE SUB-ASSEMBLY (UPPER RELIEF)	1	
54	688-43856-02-00	. SPRING, DOWN RELIEF	1	
55	6E5-43844-01-00	. PIN, VLV.SUPPORTK	1	
56	688-43838-00-00	PIPE, INTAKE	1	
57	688-43826-00-00	. PLUG, TAPER SCREW	7	
58	688-43832-00-00	. SEAT, UNION	6	
59	6E5-43833-00-00	. PIPE	1	
60	6E5-43834-00-00	. PIPE	1	

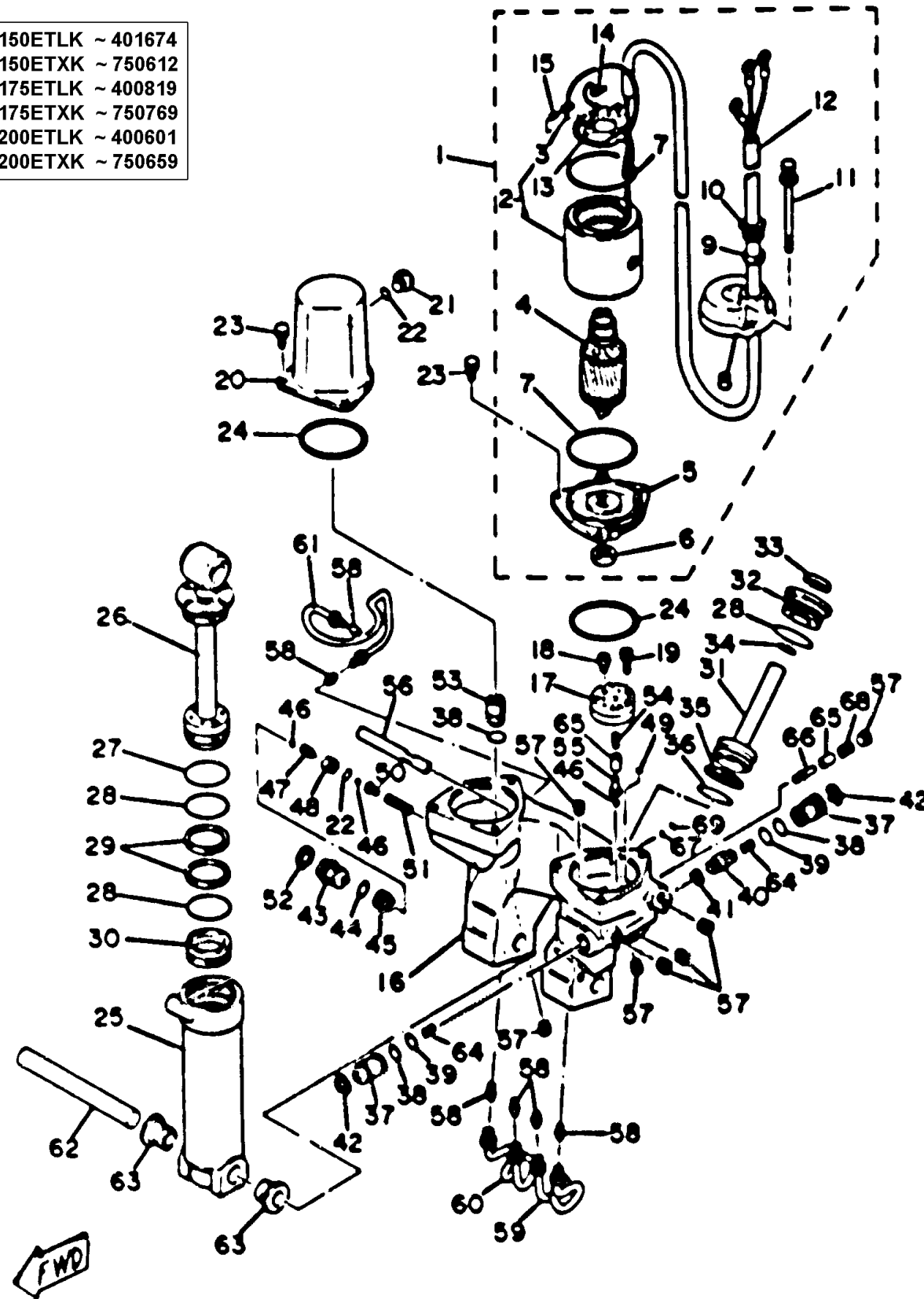
CONTINUED ON NEXT FRAME >

9-27-2010

150\_175\_200etk

C3

150ETLK ~ 401674  
 150ETXK ~ 750612  
 175ETLK ~ 400819  
 175ETXK ~ 750769  
 200ETLK ~ 400601  
 200ETXK ~ 750659



## POWER TRIM TILT ASSY (EARLY STYLE)

Ref No.	Part Number	Description	Qty	Remarks
61	688-43835-09-00	. PIPE	1	
62	6E5-43818-00-00	. PIN, LOWER SHOCK MOUNT	1	
63	90386-18M14-00	. BUSH	2	
64	6E5-43894-00-00	. SPRING, SHUTTLE RETURN	2	
65	6E5-83898-00-00	COLLAR, TENSION	2	
66	6E5-43823-00-00	. CHECK VALVE ASSEMBLY	1	
67	6E5-43877-00-00	. BALL	1	
68	6E5-43824-00-00	. SPRING	1	
69	6E5-43827-00-00	. RING SET	1	

9-27-2010

150\_175\_200etk

C4