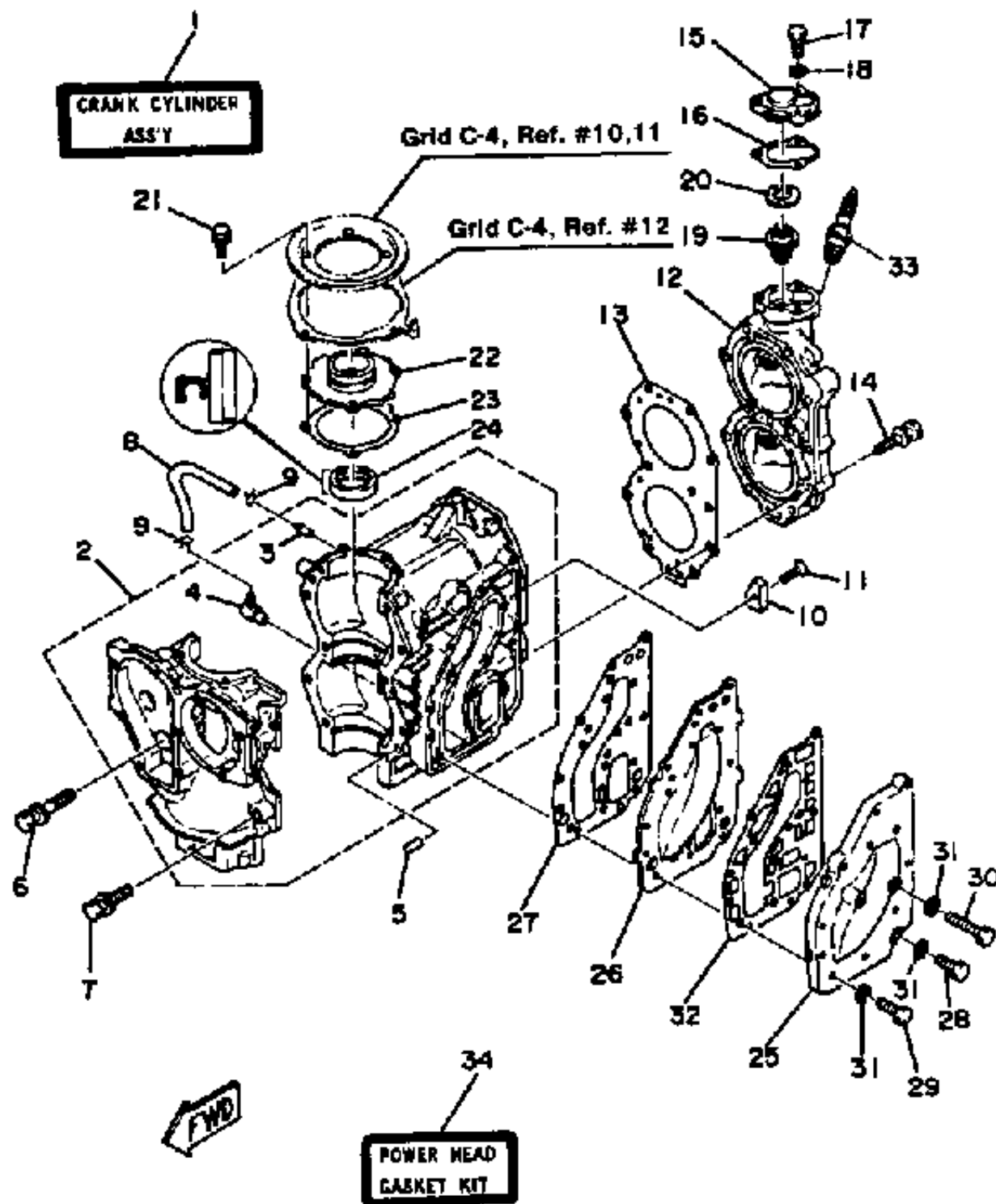


CRANKCASE CYLINDER

Ref No.	Part Number	Description	Qty	Remarks
1	6H7-W0090-12-EK	CRANK-CYLINDER ASSEMBLY	1	
2	689-15100-01-94	CRANKCASE ASSEMBLY	1	
3	624-14485-00-00	.PIPE, JOINT	1	
4	650-11370-00-00	CHECK VALVE ASSY	1	
5	93606-12019-00	PIN, DOWEL	2	
6	(90119-18M18-00)	BOLT, WITH WASHER	2	
7	90119-08M20-00	BOLT, WITH WASHER	8	
8	90445-07M24-00	HOSE (L240)	1	
9	90467-06016-00	CLIP	2	
10	689-11325-00-00	ANODE	1	
11	98702-06020-00	SCREW, FLAT HEAD	1	
12	689-11111-01-94	HEAD, CYLINDER 1	1	
13	689-11181-A0-00	GASKET, CYLINDER. HEAD 1	1	
14	90119-08M18-00	BOLT, WITH WASHER	11	
15	655-12413-01-9M	COVER, THERMOSTAT	1	
16	655-12414-00-00	GASKET, COVER	1	
17	97313-06020-00	BOLT, HEXAGON	1	
18	92990-06600-00	WASHER, PLATE	3	
19	656-12411-01-00	THERMOSTAT	1	
20	90201-21567-00	WASHER, PLATE	1	

CONTINUED ON NEXT FRAME >



CRANKCASE CYLINDER

Ref No.	Part Number	Description	Qty	Remarks
21	90105-06M09-00	BOLT, FLANGE	4	
22	689-15359-00-94	HOUSING, OIL SEAL	1	
23	689-15369-A0-00	GSKT., O/SEAL HSING HOUSING	1	
24	93101-25M50-00	.OIL SEAL	1	
25	689-41113-00-9M	EXHAUST OUTER CVR. EXHAUST	1	
26	689-41111-00-9M	EXHAUST INNER CVR. EXHAUST	1	
27	689-41114-A0-00	GSKT, EXH OUTR CVR COVER 1	1	
28	97395-06025-00	BOLT	1	
29	97395-06030-00	BOLT	12	
30	97395-06050-00	BOLT	2	
31	92990-06600-00	WASHER, PLATE	15	
32	689-41112-A0-00	GSKT, EXH INNR CVR COVER 2	1	
33	NGK-B7HS1-00-00	PLUG, SPARK (NGK B7HS-10)	2	
34	689-W0001-04-00	POWER HEAD GASKET KIT	1	SEE NOTE

