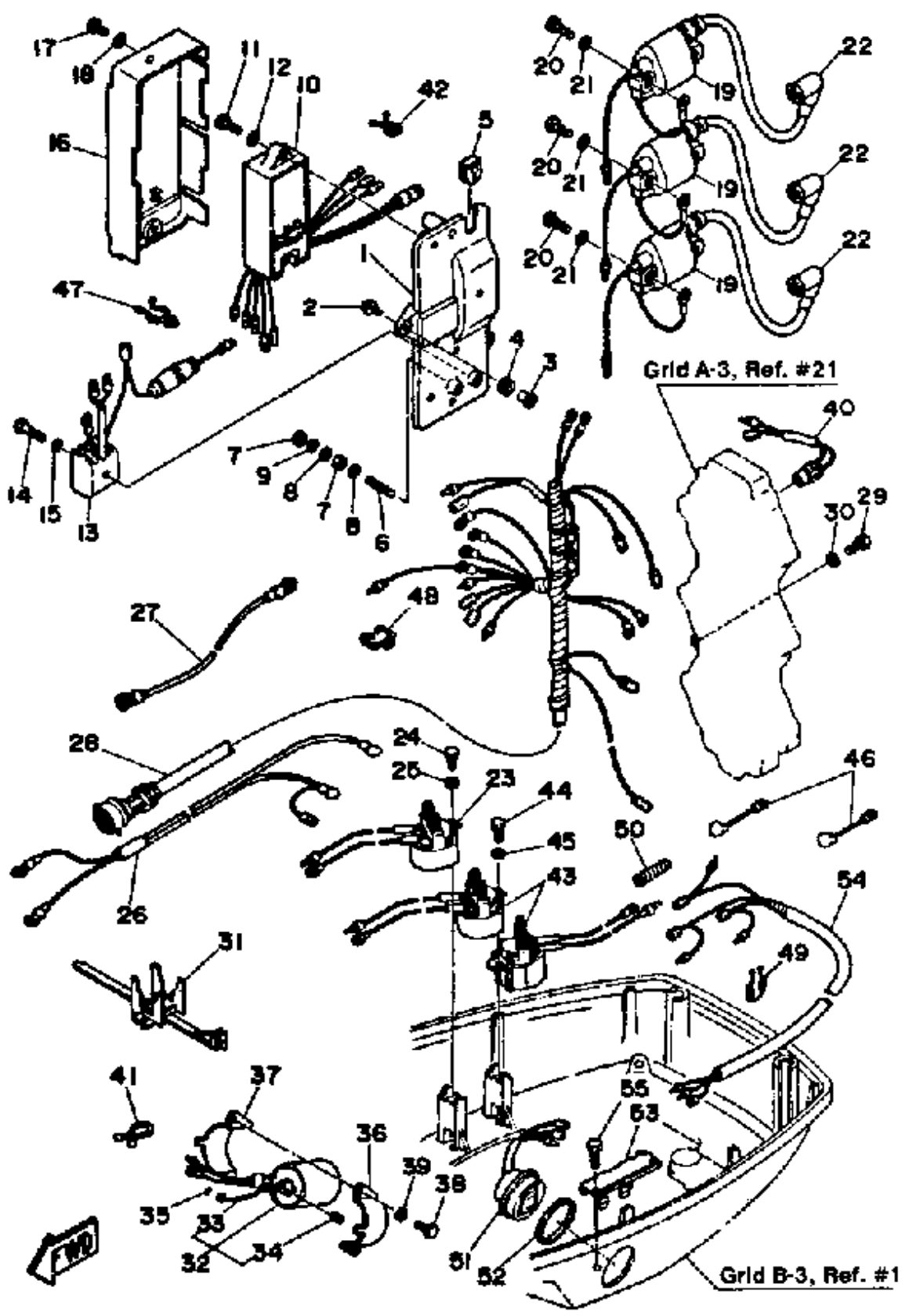


## ELECTRIC PARTS

Ref No.	Part Number	Description	Qty	Remarks
1	6H3-85542-00-94	BRACKET	1	
2	90105-06M14-00	BOLT FLANGE	3	
3	90387-06M43-00	COLLAR	3	
4	90480-13M24-00	GROMMET	3	
5	6H3-81922-00-00	GROMMET	1	
6	90116-06M07-00	BOLT, STUD	1	
7	95380-06700-00	NUT	2	
8	92990-06200-00	.WASHER, PLAIN	2	
9	92995-06100-00	WASHER, SPRING	1	
10	6H3-85540-11-00	C.D.I. UNIT ASSY	1	
11	98580-06025-00	SCREW, PAN HEAD	2	
12	92990-06600-00	WASHER, PLATE	2	
13	6G1-81970-61-00	RECTIFIER ASSY	1	
14	98503-05025-00	SCREW, PAN HEAD	1	
15	92990-05600-00	WASHER, PLATE	1	
16	6H3-81916-00-00	COVER, TERMINAL	1	
17	98580-06012-00	SCREW, PAN HEAD	2	
18	92990-06600-00	WASHER, PLATE	2	
19	6H3-85570-10-00	IGNITION COIL ASSY	3	
20	97313-06025-00	BOLT	6	

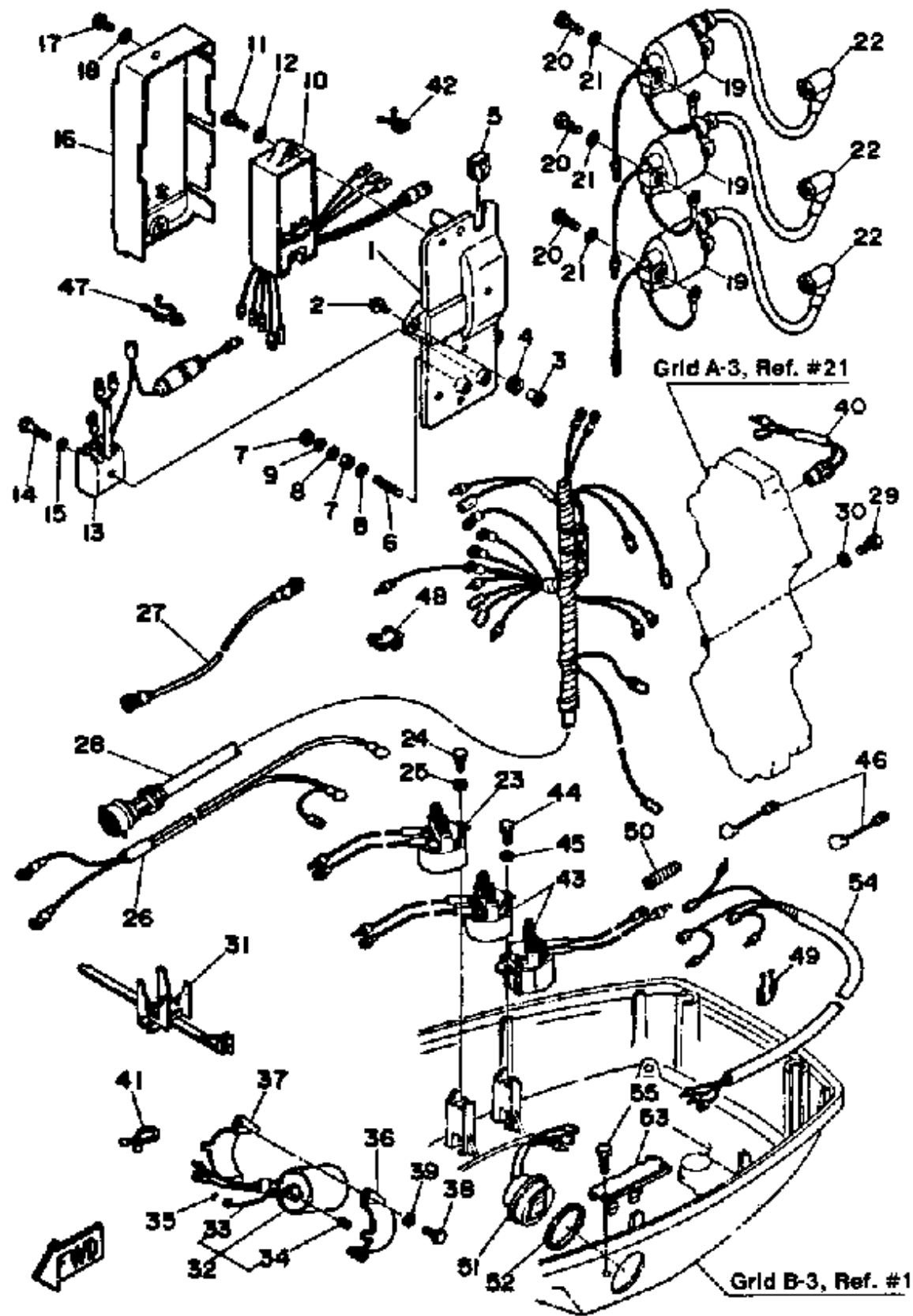
CONTINUED ON NEXT FRAME >



# ELECTRIC PARTS

Ref No.	Part Number	Description	Qty	Remarks
21	92990-06600-00	WASHER, PLATE	6	
22	663-82370-01-00	PLUG CAP ASSY	3	
23	688-81950-10-00	RELAY ASSY	1	
24	97313-06016-00	BOLT, HEXAGON	1	
25	92990-06600-00	WASHER, PLATE	1	
26	6H3-82105-00-00	BATTERY CABLE	1	
27	6H3-82117-00-00	WIRE, LEAD	1	
28	6H3-82590-11-00	WIRE HARNESS ASSEMBLY	1	
29	97013-06012-00	BOLT	1	
30	92990-06600-00	WASHER, PLATE	1	
31	688-82594-00-00	CLAMP	1	
32	6H3-86110-02-00	SOLENOID	1	
33	6H3-86116-00-00	. WIRE, PULL	1	
34	91690-30010-00	. PIN, SPRING	1	
35	93210-03261-00	O-RING	1	
36	6H3-86112-00-00	STAY, SOLENOID	1	
37	6H3-86115-00-00	HOLDER SOLENOID	1	
38	97313-06016-00	BOLT, HEXAGON	2	
39	92990-06600-00	WASHER, PLATE	2	
40	688-82560-10-00	THERMO SWITCH ASSY	1	

CONTINUED ON NEXT FRAME >



## ELECTRIC PARTS

Ref No.	Part Number	Description	Qty	Remarks
41	90465-18147-00	CLAMP	1	
42	90465-18147-00	CLAMP	1	
43	688-81950-10-00	RELAY ASSY	2	
44	97313-06020-00	BOLT, HEXAGON	1	
45	90201-061A5-00	.WASHER, PLATE	1	
46	688-81949-00-00	WIRE, LEAD	2	
47	90464-12M09-00	CLAMP	1	
48	90464-07M10-00	CLAMP	1	
49	90464-04M12-00	CLAMP	1	
50	90446-10M01-00	HOSE (L60)	1	
51	6H1-82563-00-00	TRIM & TILT SWITCH ASSEMBLY	1	
52	6E5-82587-00-00	GASKET	1	
53	6E5-83614-00-00	BRACKET	1	
54	6H3-82553-00-00	EXTENSION, WIRE	1	
55	97313-06016-00	BOLT, HEXAGON	2	