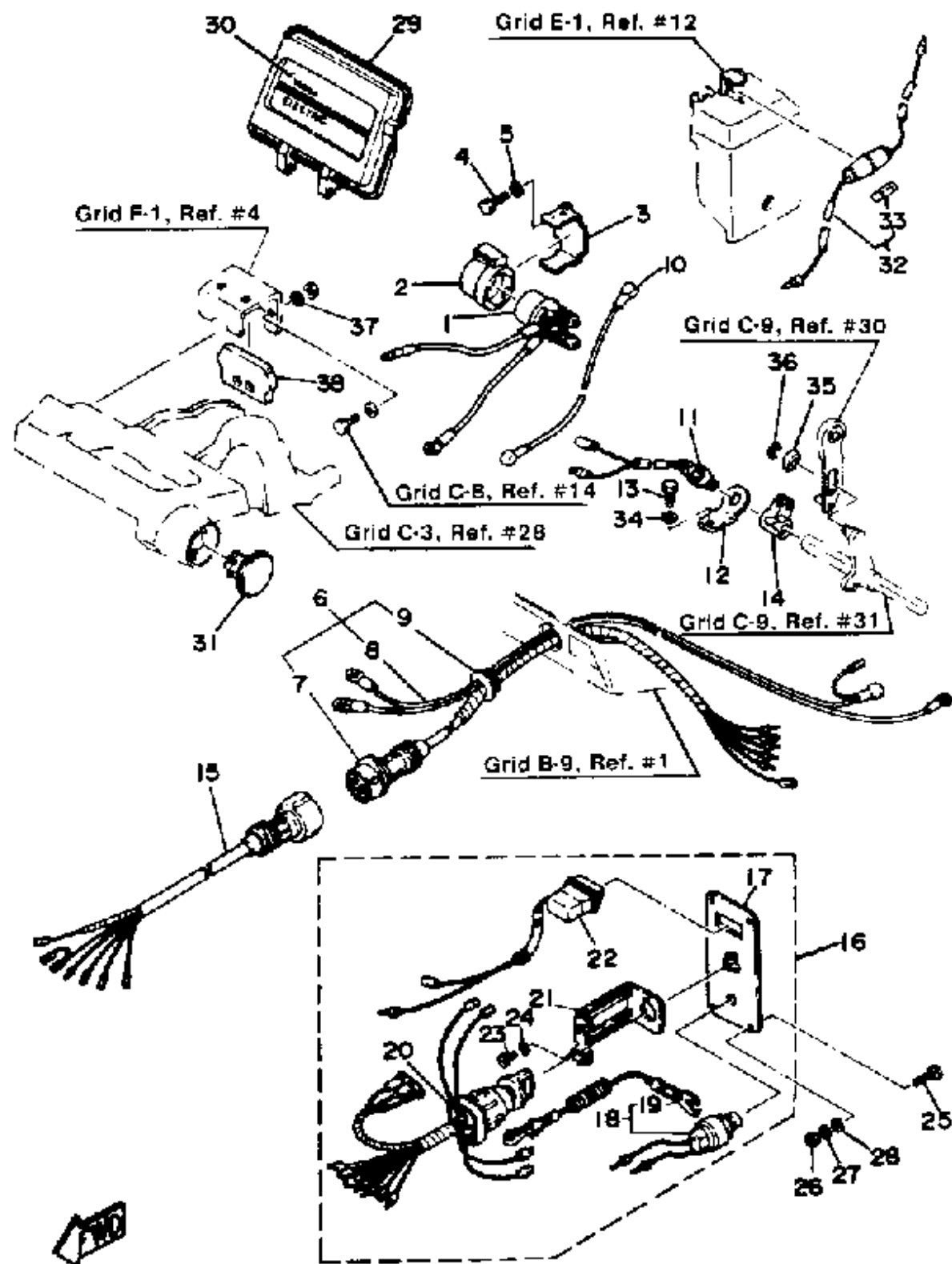


## ELECTRIC PARTS 2

Ref No.	Part Number	Description	Qty	Remarks
1	6J0-81941-10-00	STARTER RELY ASSY	1	
2	6G1-81952-00-00	HOLDER, RELAY	1	
3	6G8-81953-00-00	STAY, RELAY	1	
4	97013-06012-00	BOLT	1	
5	92990-06600-00	WASHER, PLATE	1	
6	6G8-82580-00-00	WIRE HARNESS ASSY 2	1	
7	6G8-82590-00-00	WIRE HARNESS ASSY	1	
8	6G8-82105-00-00	BATTERY CABLE	1	
9	6G8-42724-50-00	GROMMET	1	
10	6G8-82117-00-00	WIRE, LEAD	1	
11	6H3-82540-00-00	NEUTRAL SWITCH ASSY	1	
12	6G8-82554-00-00	STAY, NEUTRAL SWITCH	1	
13	97013-06012-00	BOLT	1	
14	6G8-44125-00-00	LEVER, SHIFT ROD	1	
15	6G8-82586-00-00	WIRE HARNESS, S.P.	1	
16	6G8-82570-01-00	PANEL SWITCH ASSEMBLY	1	
17	6G8-82571-01-00	PANEL, SWITCH	1	
18	688-82575-01-00	.ENGINE STOP SWITCH ASSY	1	
19	682-82556-00-00	.LANYARD, STOP SWITCH	1	
20	688-82510-11-00	MAIN SWITCH ASSY	1	

CONTINUED ON NEXT FRAME >



## ELECTRIC PARTS 2

Ref No.	Part Number	Description	Qty	Remarks
21	663-82581-01-00	STAY, CORD CLAMP	1	
22	6G8-83582-01-00	PILOT LIGHT ASSY	1	
23	98901-04008-00	SCREW, BIND	1	
24	92901-04600-00	WASHER	1	
25	98903-05025-00	SCREW, BIND	4	
26	95380-05600-00	.NUT	4	
27	92990-05100-00	WASHER, SPRING	4	
28	92990-05600-00	WASHER, PLATE	4	
29	6G8-W4261-10-00	PANEL, FRONT UPPER	1	
30	6G8-42677-20-00	GRAPHIC, FRONT	1	
31	6G8-42551-00-00	GROMMET	1	
32	6G8-82150-00-00	FUSE HOLDER ASSY	1	
33	682-82151-00-00	FUSE (12V-20A)	1	
34	92990-06600-00	WASHER, PLATE	1	
35	90387-06M73-00	COLLAR	1	
36	93430-04M03-00	.CIRCLIP	1	
37	92990-06600-00	WASHER, PLATE	2	
38	6G8-48351-51-00	SEAL RUBBER	1	