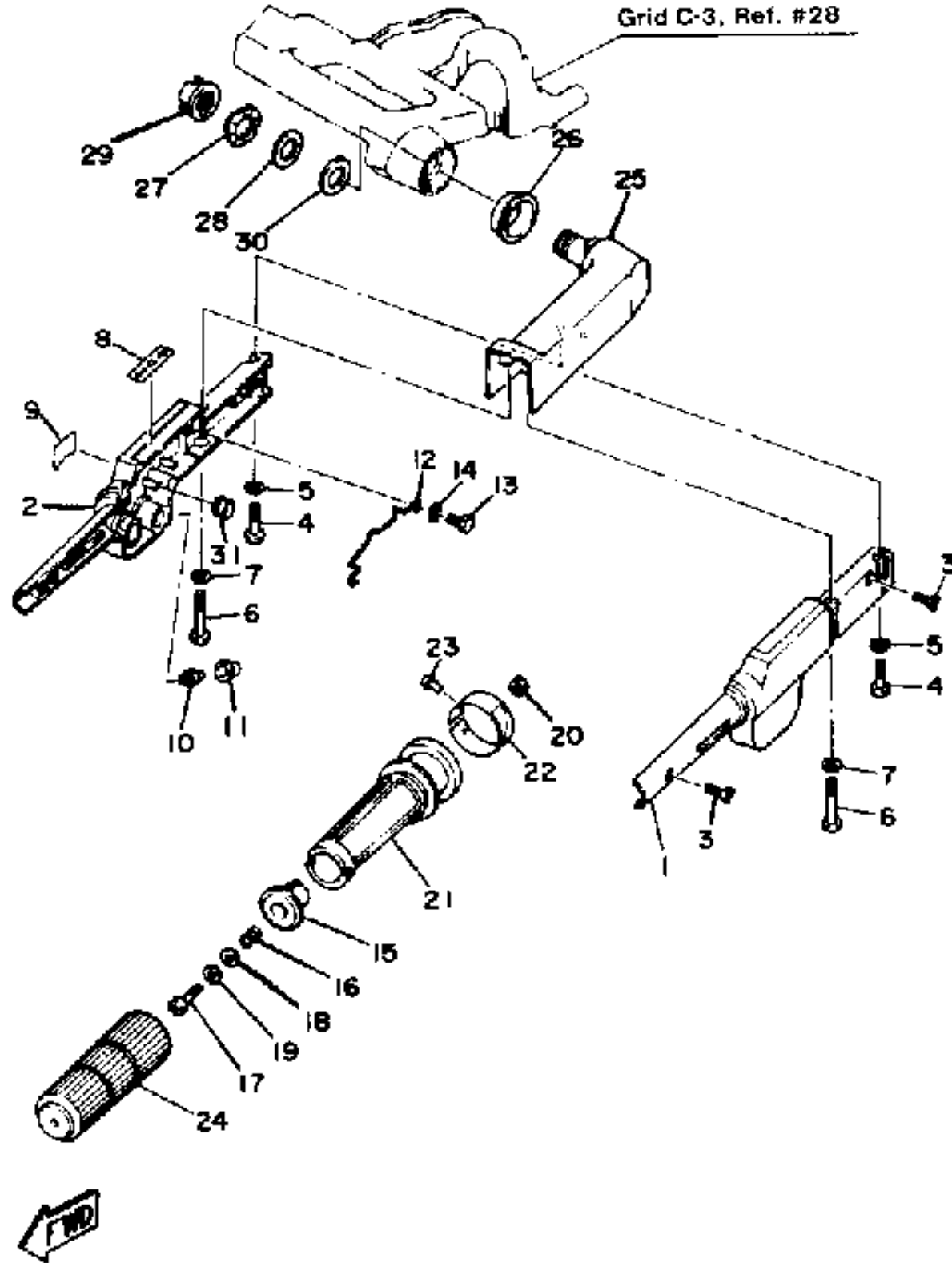
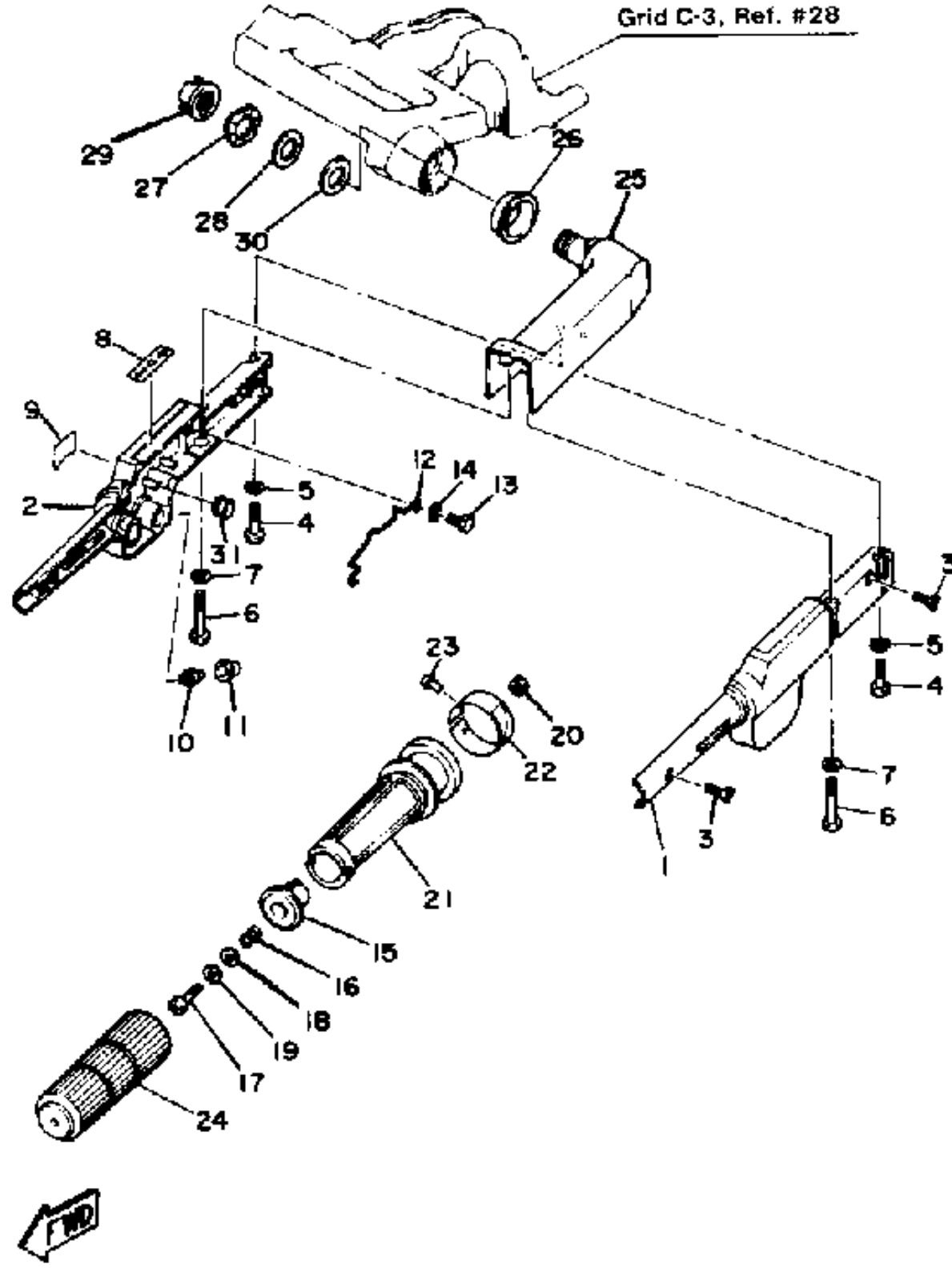


# STEERING



Ref No.	Part Number	Description	Qty	Remarks
1	6G8-42111-01-EK	HANDLE, STEERING	1	U.R. FOR MMS
1	6G8-42111-01-EL	HANDLE, STEERING	1	U.R. FOR HW
2	6G8-42112-02-EL	STEERING HANDLE 2	1	U.R. FOR HW
2	6G8-42112-02-EK	STEERING HANDLE 2	1	U.R. FOR MMS
3	98780-05016-00	.SCREW, FLAT HEAD	2	
4	97395-06025-00	BOLT	2	
5	92990-06600-00	WASHER, PLATE	2	
6	97395-06040-00	BOLT	2	
7	92990-06600-00	WASHER, PLATE	2	
8	6G8-44191-00-00	INDICATOR, SHIFT	1	
9	6G8-82561-00-00	GRAPHIC, ENG	1	
10	93700-06M03-00	NIPPLE, GREASE	1	
11	663-45119-00-00	CAP, GREASE NIPPLE	1	
12	6G8-42147-00-00	SPRING	1	
13	97395-05012-00	.BOLT	2	
14	92990-05600-00	WASHER, PLATE	2	
15	6G8-42126-01-94	FRICITION, STEERING HANDLE GRIP	1	
16	90501-23M42-00	SPRING, COMPRESSION	1	
17	98580-06030-00	.SCREW, PAN HEAD	1	
18	90201-06049-00	WASHER, PLATE	1	

CONTINUED ON NEXT FRAME >



## STEERING

Ref No.	Part Number	Description	Qty	Remarks
19	90202-06007-00	WASHER, PLATE	1	
20	95380-06700-00	NUT	1	
21	6G8-42119-00-00	GRIP, STEERING HANDLE	1	
22	6G8-42137-01-00	INDICATOR, THROTTLE	1	
23	90269-02M09-00	RIVET	1	
24	6G8-42177-00-00	RUBBER, HANDLE	1	
25	6G8-42113-01-EK	HANDLE, STEERING 3	1	U.R. FOR MMS
25	6G8-42113-01-EL	HANDLE, STEERING 3	1	U.R. FOR HW
26	90386-33M56-00	BUSH	1	
27	90206-20M14-00	WASHER, WAVE	1	
28	90201-201L9-00	WASHER, PLAIN	1	
29	90179-20M09-00	NUT, SPEC'L SHAPE	1	
30	90202-20M33-00	WASHER, PLATE	1	
31	6H4-42725-00-00	GROMMET	1	