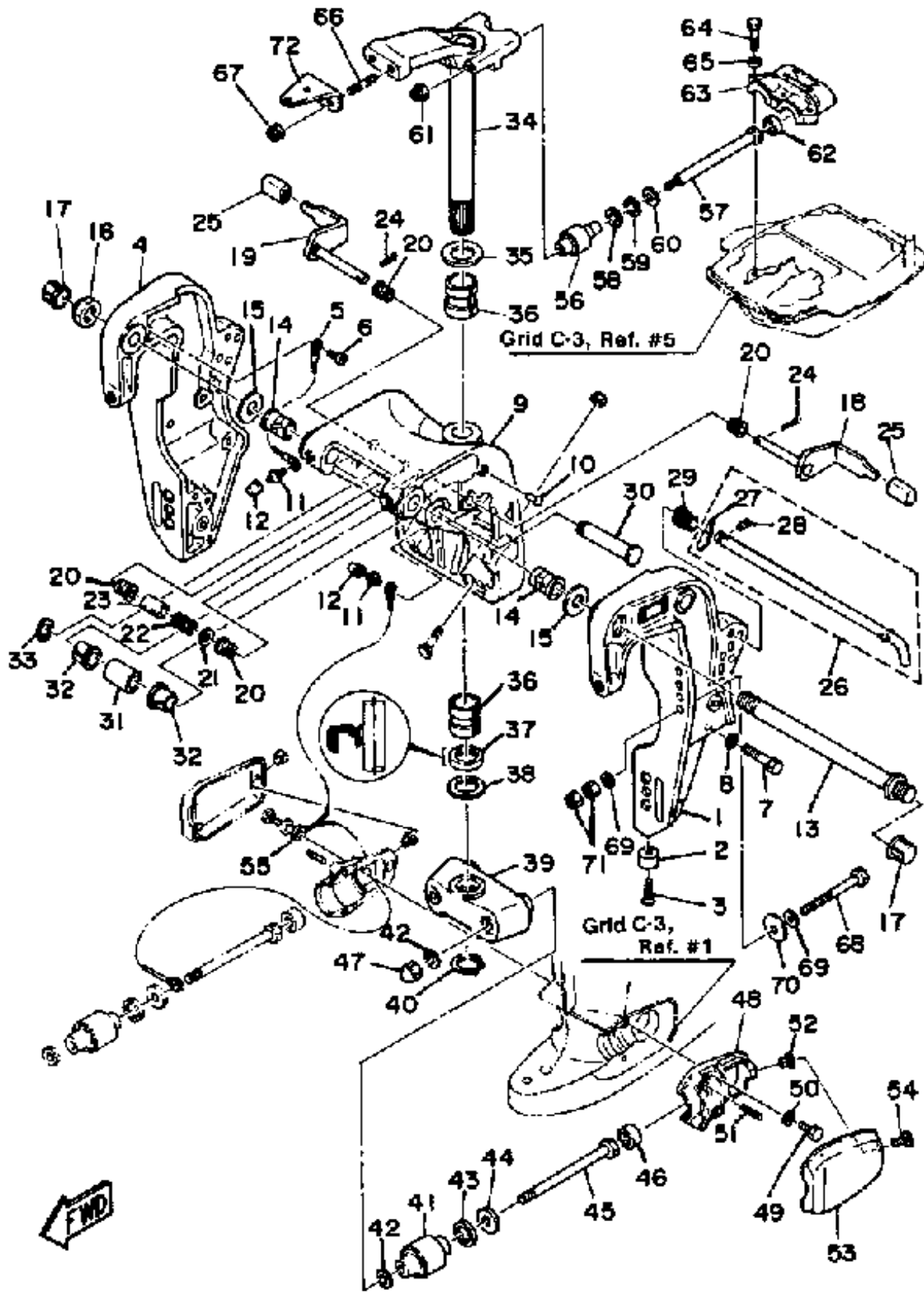


BRACKET

Ref No.	Part Number	Description	Qty	Remarks
1	688-43111-12-EK	BRACKET, CLAMP	1	U.R. LONG
2	688-45251-01-00	ANODE	1	
3	92180-06025-00	SCREW, OVAL HEAD	1	
4	688-43112-12-EK	BRACKET, CLAMP	1	U.R. LONG
5	6E5-82148-00-00	WIRE, LEAD 4	1	
6	97890-06012-00	SCREW, PAN HEAD	1	
7	97395-10045-00	BOLT	6	
8	92990-10100-00	WASHER, SPRING	6	
9	688-W4331-14-EK	BRACKET SWIVEL 1	1	U.R. LONG
10	90269-03010-00	RIVET	1	
11	93700-06M03-00	NIPPLE, GREASE	3	
12	663-45119-00-00	CAP, GREASE NIPPLE	3	
13	688-43131-03-00	BOLT, CLAMP BRACKET	1	
14	90386-22M15-00	BUSH	2	
15	90201-22M67-00	WASHER, PLATE	2	
16	90185-22043-00	NUT, SELF-LOCKING	1	
17	6G5-43145-00-00	CAP, CLAMP BRACKET	2	
18	688-43181-04-00	LEVER, TILT STOP	1	
19	688-43185-04-00	LEVER, TILT STOP	1	
20	90386-10M16-00	BUSH	4	

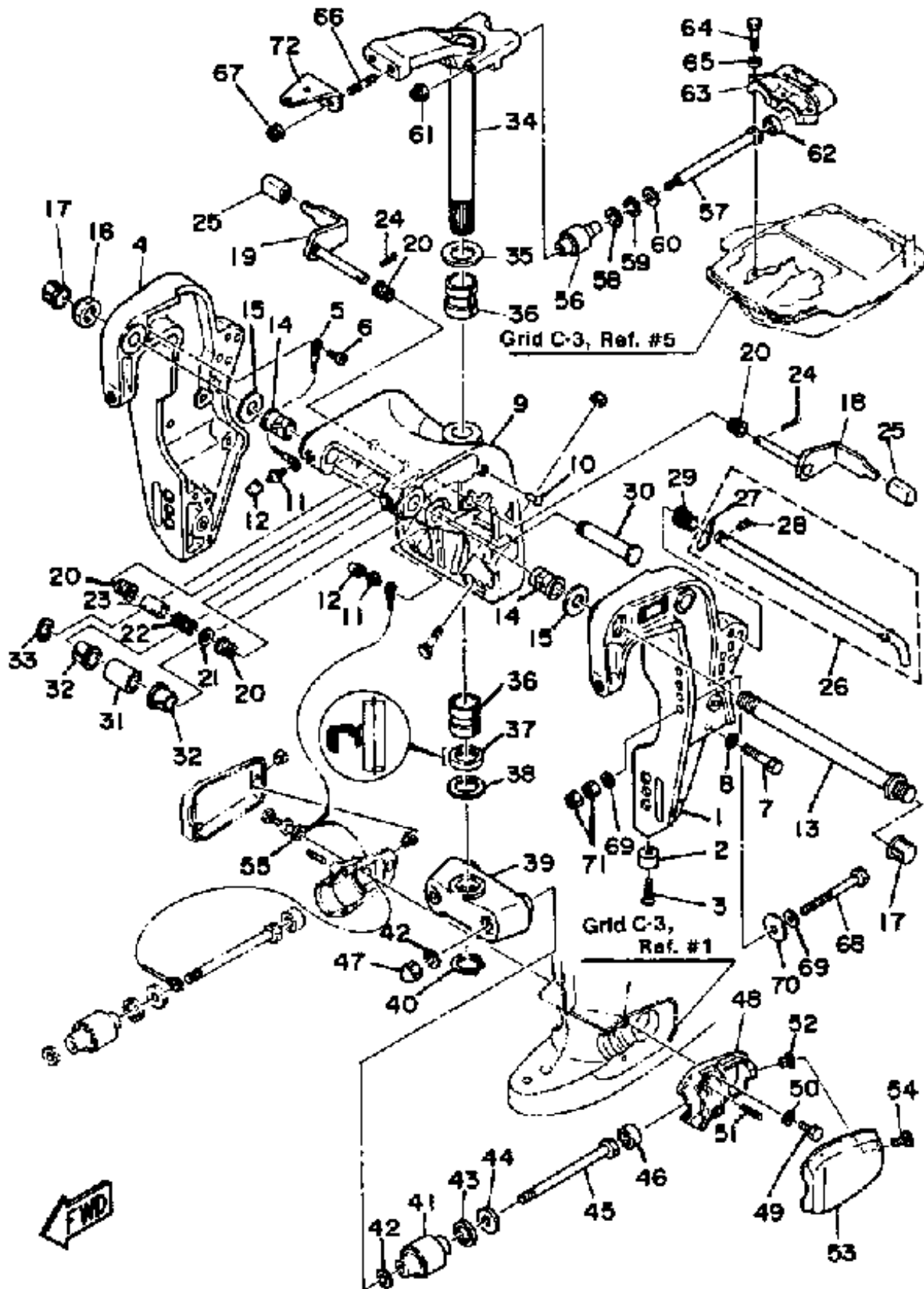
CONTINUED ON NEXT FRAME >



BRACKET

Ref No.	Part Number	Description	Qty	Remarks
21	92990-10200-00	WASHER, PLAIN	1	
22	90501-10M21-00	SPRING, COMPRESSION	1	
23	90387-10M38-00	COLLAR	1	
24	91490-30030-00	PIN, COTTER	2	
25	663-43318-00-00	COVER	2	
26	688-43160-01-00	TILT ROD ASSY	1	U.R. LONG
27	688-43165-00-00	. .PLATE, TILT LOCK	1	
28	91690-30012-00	. .PIN, SPRING	1	
29	90502-16M02-00	SPRING, CONICAL	1	U.R. LONG
30	6E5-43126-02-00	PIN, UPPER SHOCK MOUNT	1	
31	90386-18M21-00	BUSH	1	
32	90386-18M35-00	BUSH	2	
33	93410-18M02-00	CIRCLIP	1	
34	6H3-42510-11-EK	STEERING BRACKET	1	U.R. LONG
35	90201-30M00-00	WASHER, PLATE	1	
36	90386-30048-00	BUSH	2	
37	93109-30M03-00	OIL SEAL	1	
38	90201-31418-00	WASHER, PLATE	1	
39	6H3-44551-00-EK	HOUSING, LWR, MOUNT LOWER MOUNT RUBBER	1	
40	93410-28M06-00	CIRCLIP	1	

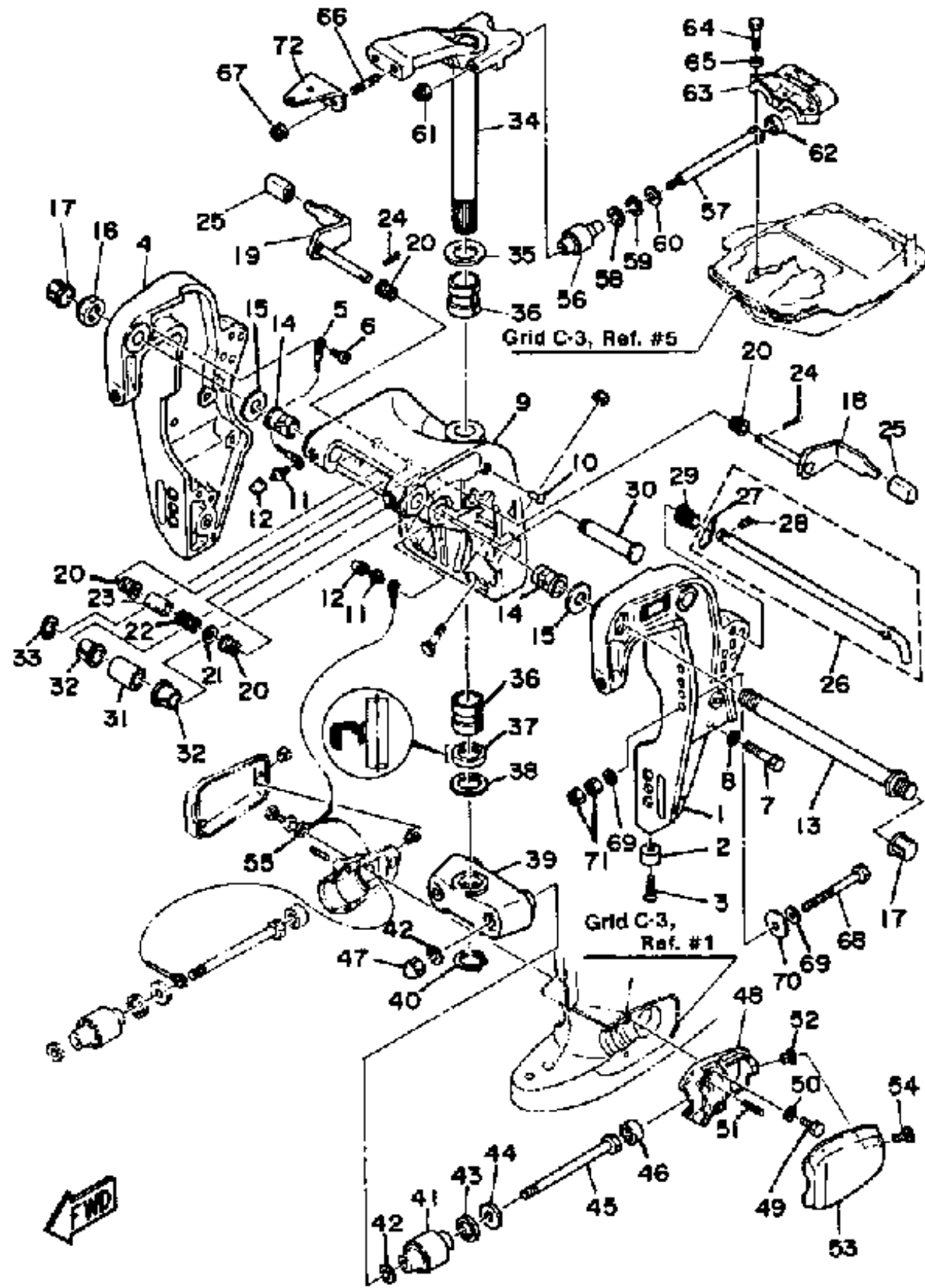
CONTINUED ON NEXT FRAME >



BRACKET

Ref No.	Part Number	Description	Qty	Remarks
41	687-44555-00-94	MOUNT DAMPER, LOWER SIDE	2	
42	90201-12M16-00	WASHER, PLATE	4	
43	90202-25M04-00	WASHER, PLATE	2	
44	90201-13M19-00	WASHER, PLATE	2	
45	90109-12M21-00	BOLT	2	
46	663-44575-00-00	DAMPER, LOWER MOUNT RUBBER	2	
47	95380-12800-00	NUT, CROWN	2	
48	6H3-44552-01-94	HOUSING, LOWER MOUNT RUBBER	2	
49	97395-08025-00	BOLT	4	
50	92990-08100-00	.WASHER, SPRING	4	
51	90501-14236-00	SPRING, COMPRESSION	4	
52	90179-06066-00	NUT	2	
53	6H3-44553-00-EK	COVER, LWR.MOUNT	2	
54	98580-06016-00	SCREW, PAN HEAD	2	
55	688-82127-02-00	WIRE, LEAD 2	1	U.R. LONG
56	688-44514-00-94	MOUNT DAMPER, UPPER SIDE	2	
57	90101-10M49-00	BOLT	2	
58	90201-20M21-00	WASHER, PLATE	2	
59	90202-20M06-00	WASHER, PLATE	2	
60	90201-11M22-00	WASHER, PLATE	2	

CONTINUED ON NEXT FRAME >



BRACKET

Ref No.	Part Number	Description	Qty	Remarks
61	90185-10051-00	NUT, SELF-LOCKING	2	
62	663-44575-00-00	DAMPER, LOWER MOUNT RUBBER	2	
63	688-44511-00-94	COVER, UPPER MOUNT	1	
64	97090-08035-00	BOLT	3	
65	92990-08100-00	.WASHER, SPRING	3	
66	90116-10175-00	BOLT, STUD	2	
67	90185-10051-00	NUT, SELF-LOCKING	2	
68	90101-12M65-00	BOLT	4	
69	92990-12200-00	WASHER, PLAIN	8	
70	90201-12426-00	WASHER, PLATE	4	
71	95380-12600-00	NUT	8	
72	6H3-48511-51-EK	HOOK STEERING	1	