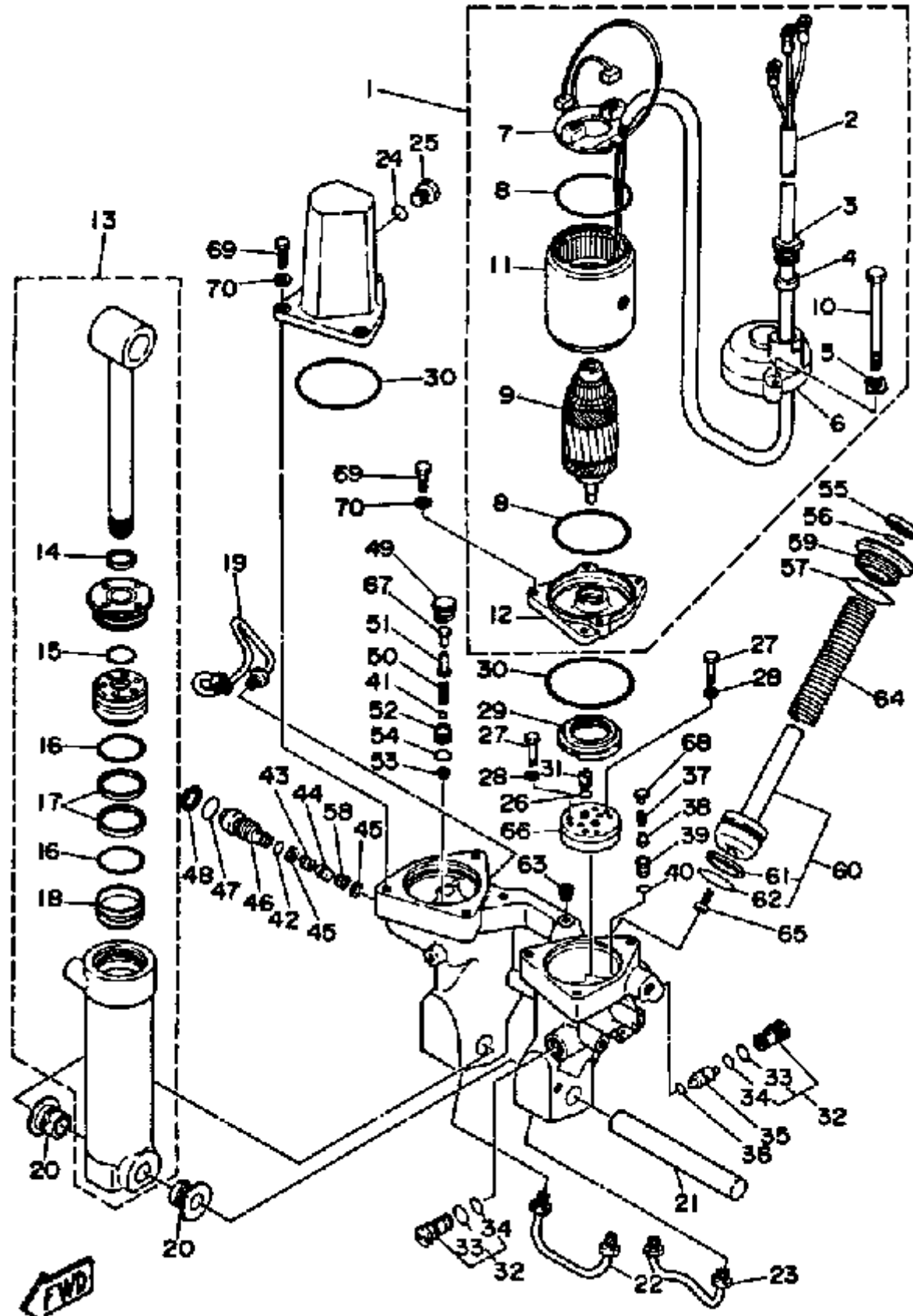


POWER TRIM TILT ASSY

Ref No.	Part Number	Description	Qty	Remarks
1	6H1-43880-00-00	MOTOR ASSEMBLY	1	
3	6H1-43886-00-00	BOLT	1	
4	6H1-43885-00-00	GROMMET	1	
5	6H1-4382G-00-00	WASHER, WAVE	1	
6	6H1-43884-00-00	FRAME, COMMUTATOR	1	
7	6H1-43806-00-00	BRUSH HOLDER ASSEMBLY	1	
8	93210-71M76-00	O-RING	1	
8	6H1-43807-00-00	WIRE SUB ASSEMBLY	1	
9	6H1-43805-00-00	ARMATURE ASSEMBLY	1	
10	6H1-43887-00-00	BOLT	2	
11	6H1-43804-00-00	STATOR ASSEMBLY	1	
12	6H1-43881-00-00	FRAME, END	1	
13	6H1-4380E-00-00	TILT CYLINDER ASSEMBLY	1	
14	6H1-43872-00-00	..RING, BACK UP	1	
15	6H1-43861-00-00	..O-RING	1	
16	6H1-43862-00-00	O-RING	2	
17	6H1-43871-00-00	RING, BACK UP 1	2	
18	6H1-43814-11-00	..PISTON, FREE	1	
19	6H1-43835-00-00	PIPE	1	
20	90386-18M14-00	BUSH	2	

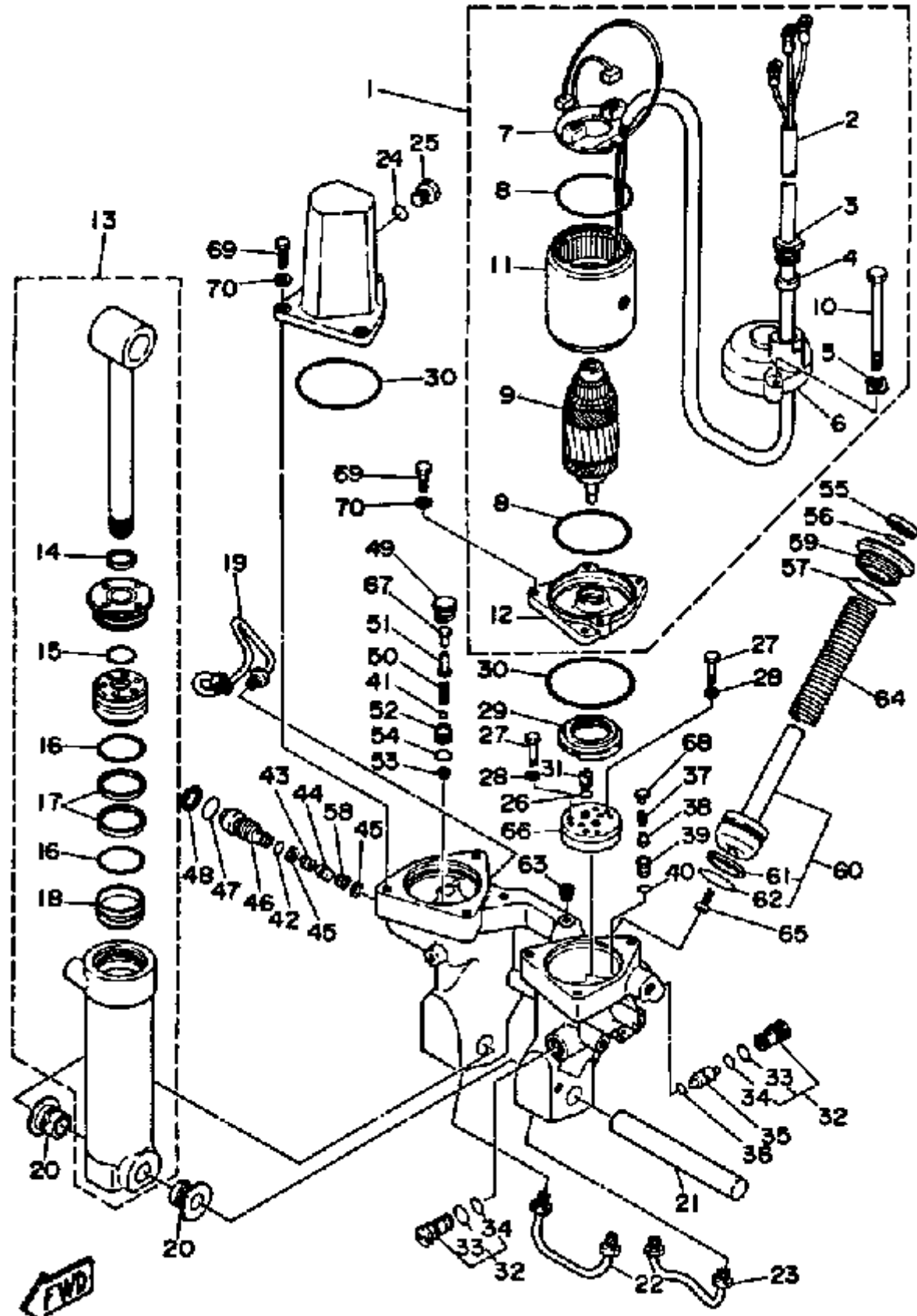
CONTINUED ON NEXT FRAME >



POWER TRIM TILT ASSY

Ref No.	Part Number	Description	Qty	Remarks
21	6E5-43818-00-00	PIN, LOWER SHOCK MOUNT	1	
21	6H1-43800-00-EK	POWER TRIM TILT ASSY	1	
22	6H1-43834-00-00	.PIPE	1	
23	6H1-43833-00-00	PIPE	1	
24	93210-09350-00	O-RING	1	
25	6H1-43829-00-00	PLUG, RESERVOIR	1	
26	93210-06519-00	O-RING	3	
27	97301-05025-00	BOLT, HEXAGON (97201-05025)	3	
28	92901-05600-00	WASHER	3	
29	6H1-43817-00-00	.FILTER 2	1	
30	6H1-43869-00-00	O-RING	2	
31	6H1-43831-00-00	.CONNECTOR, SHAFT	1	
32	6T4-43802-00-00	VALVE SUB ASSEMBLY	2	
33	6H1-43866-00-00	..O-RING	1	
34	6H1-43867-00-00	..O-RING	1	
35	6H1-43841-00-00	PISTON, SHUTTLE	1	
36	6H1-43868-00-00	.O-RING	1	
37	6H1-43856-00-00	SPRING, DOWN RELIEF	1	
38	6H1-43844-00-00	PIN, VALVE SUPPORT	1	
39	6H1-43851-00-00	SEAT, RELIEF VALVE	1	

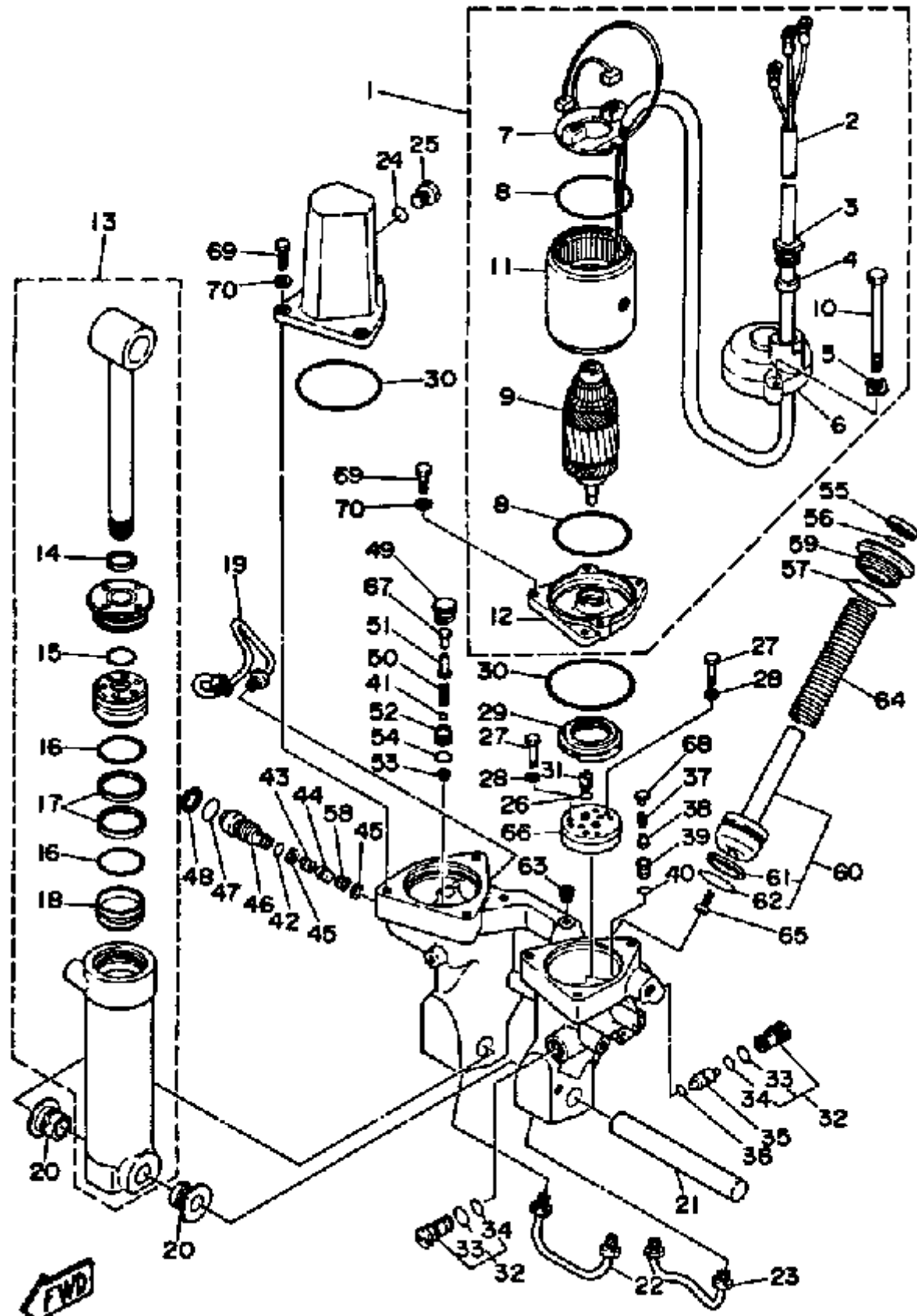
CONTINUED ON NEXT FRAME >



POWER TRIM TILT ASSY

Ref No.	Part Number	Description	Qty	Remarks
40	6H1-43883-00-00	.O-RING	1	
41	93505-32038-00	.BALL	2	
42	93210-10M74-00	O-RING	3	
43	6H1-43854-00-00	.SPRING, MANUAL RELEASE	1	
44	(6H1-4382A-00-00)	ADAPTER 1	1	
45	6H1-43847-00-00	.SEAT, MANUAL VALVE	2	
46	6H1-43845-00-00	.SCREW, MANUAL RELEASE	1	
47	93210-18M75-00	O-RING	1	
48	6H1-43875-00-00	RING, SNAP	1	
49	6H1-43843-00-00	SCREW, VALVE LOCK	1	
50	(6H1-43855-00-00)	SPRING, UP RELIEF	1	
51	(6H1-43859-00-00)	PIN, VALVE SUPPORT	1	
52	(6H1-43895-00-00)	SEAT, RELIEF VALVE	1	
53	6H1-43816-00-00	FILTER 1	1	
54	6H1-43896-00-00	.O-RING	1	
55	6H1-43822-00-00	SEAL, TRIM DUST	2	
56	93210-16275-00	.O-RING	2	
57	6H1-43862-00-00	O-RING	2	
58	6H1-43899-00-00	.SPRING, MANUAL RELEASE	1	
59	6H1-43821-00-00	SCREW, TRIM CYLINDER.END	2	

CONTINUED ON NEXT FRAME >



POWER TRIM TILT ASSY

Ref No.	Part Number	Description	Qty	Remarks
60	6H1-43820-00-00	PISTON SUB ASSEMBLY	2	
61	6H1-43874-00-00	..RING, BACK UP	1	
62	6H1-43864-00-00	O-RING	1	
63	6H1-4388E-00-00	PLUG, TAPER SCREW	1	
64	[6H-14384-E0-00	UNAVAILABLE IN PRICE BOOK	2	
65	91316-06020-00	BOLT	2	
66	6H1-43830-10-00	GEAR PUMP ASSEMBLY	1	
67	(6H1-4381G-00-00)	PIN 1	1	
68	[6H-14381-H0-00	UNAVAILABLE IN PRICE BOOK	1	
69	97395-06020-00	BOLT, HEXAGON	6	
70	92995-06100-00	WASHER, SPRING	6	