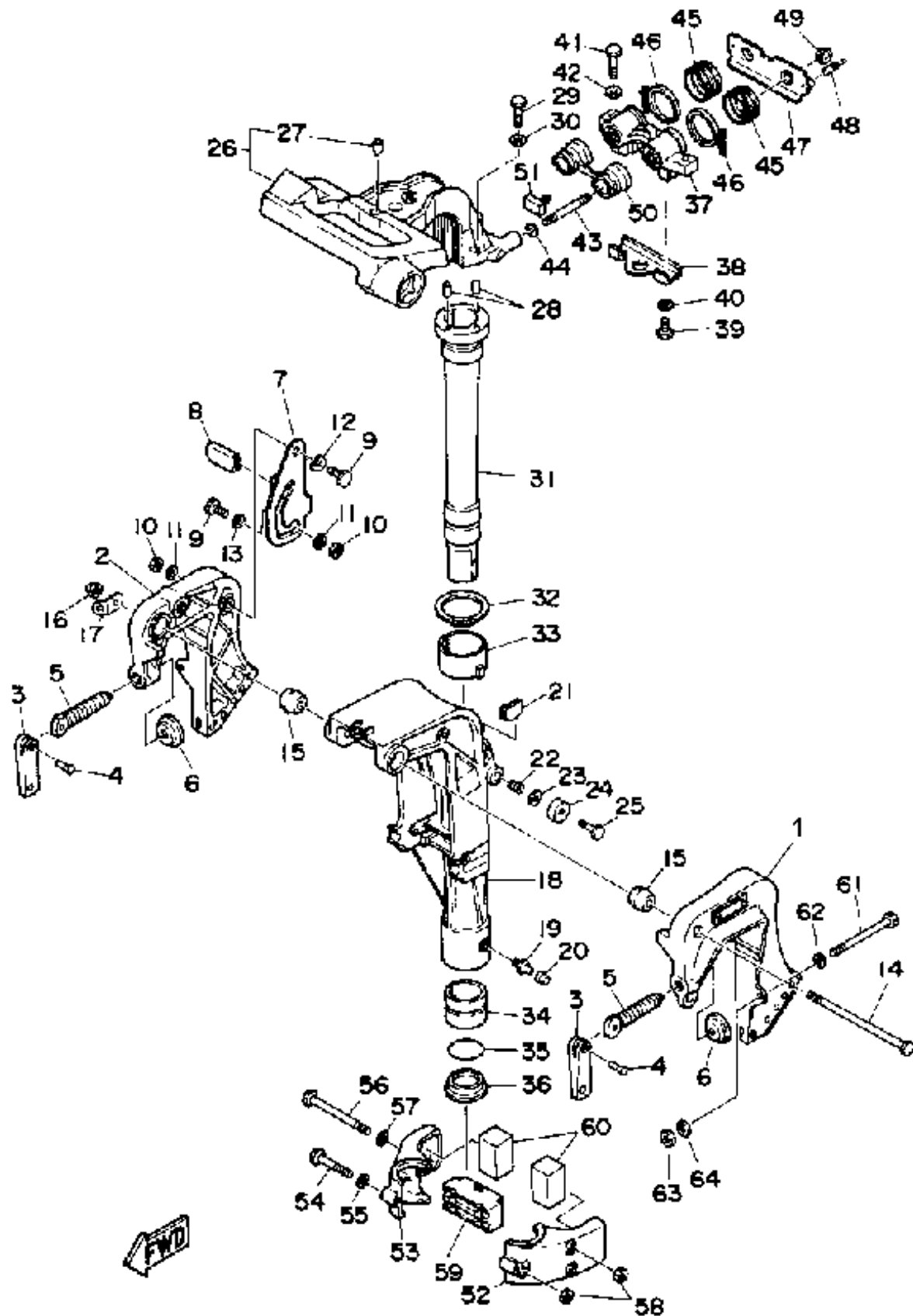


## BRACKET 1

Ref No.	Part Number	Description	Qty	Remarks
1	6G8-43111-02-EK	BRACKET, CLAMP	1	
2	6G8-43112-03-EK	BRACKET, CLAMP 2	1	
3	616-43118-00-EK	HANDLE, TRANSOM CLIP	2	
4	90243-04M00-00	PIN	2	
5	90149-14030-00	SCREW, SPECL SHAPE	2	
6	648-43114-01-00	PAD, TRANSOM CLAMP	2	
7	6G8-43181-00-00	LEVER, TILT STOP	1	
8	682-43318-01-00	.COVER	1	
9	90109-06M25-00	BOLT	2	
10	95680-06100-00	NUT, U	2	
11	92990-06600-00	WASHER, PLATE	2	
12	90206-10M15-00	WASHER, WAVE	1	
13	682-43339-01-00	WASHER	1	
14	90101-08M03-00	BOLT, WASHER BASED	1	
15	6G8-43136-00-00	PIECE, FRICTION	2	
16	95780-08300-00	NUT, FLANGE	1	
17	6A1-43113-01-00	PLATE, CLAMP BRACKET	1	
18	6G8-43311-13-EK	BRACKET, SWIVEL 1	1	
18	6G9-43311-02-EK	BRACKET, SWIVEL 1	1	
19	93700-06M03-00	NIPPLE, GREASE	1	

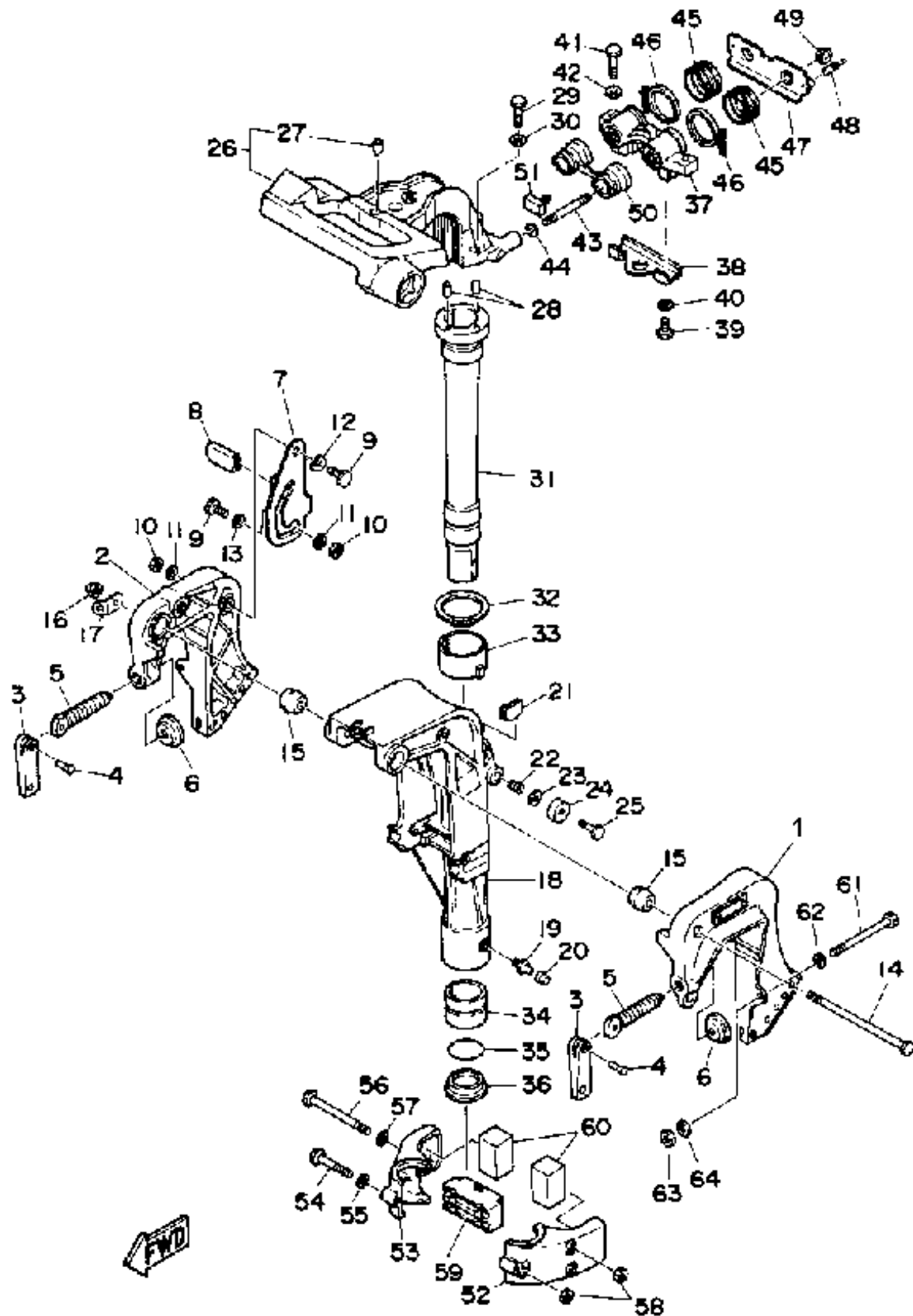
CONTINUED ON NEXT FRAME >



# BRACKET 1

Ref No.	Part Number	Description	Qty	Remarks
20	663-45119-00-00	CAP, GREASE NIPPLE	1	
21	6G8-42528-00-00	PLATE, FRICTION	1	
22	90501-18M00-00	SPRING, COMPRESSION	1	
23	90201-06M31-00	.WASHER, PLATE	1	
24	6G8-43373-00-00	SEAL, DAMPER	1	
25	97395-06025-00	BOLT	1	
26	6G8-42511-01-EK	BRACKET, STEERING	1	
27	6G8-42534-00-00	PIN, DOWEL	1	
28	93605-15065-00	PIN, DOWEL	2	
29	97315-06030-00	BOLT	2	
30	92990-06600-00	WASHER, PLATE	2	
31	6G8-42521-10-94	SHAFT, STEERING PIVOT	1	U.R. LONG
31	6G9-42521-00-94	SHAFT, STEERING PIVOT	1	U.R. SHORT
32	90209-45M09-00	WASHER	1	
33	6G8-42537-00-00	BUSHING, PIVOT SHAFT	1	
34	90386-37M47-00	BUSH	1	
35	93210-37M67-00	O-RING	1	
36	90386-37M48-00	BUSH	1	
37	6G8-44517-00-94	MOUNT RUBBER	1	
38	6G8-44526-00-00	PLATE	1	

CONTINUED ON NEXT FRAME >



# BRACKET 1

Ref No.	Part Number	Description	Qty	Remarks
39	97395-06012-00	BOLT	2	
40	92990-06600-00	WASHER, PLATE	2	
41	97395-08030-00	BOLT	2	
42	92990-08600-00	.WASHER, PLATE	2	
43	90116-08M28-00	BOLT, STUD	2	
44	90201-08M12-00	.WASHER, PLATE	2	
45	6G8-44522-00-00	SEAL	2	
46	90460-38M06-00	CLAMP, HOSE	2	
47	6G8-44518-00-00	BRACKET COMP.	1	
48	6G8-44533-00-00	DAMPER, UPPER MOUNT RUBBER	2	
49	95780-08300-00	NUT, FLANGE	2	
50	6G8-44521-00-00	SEAL	1	
51	6G8-44532-00-00	STOPPER, UPPER MOUNT	1	
52	6G8-44551-01-EK	HOUSING, LOWER MOUNT RUBBER	1	
53	6G8-44552-01-EK	HOUSING, LOWER MOUNT	1	
54	97395-06045-00	BOLT, HEXAGON	1	
55	92990-06600-00	WASHER, PLATE	1	
56	97395-06095-00	BOLT	2	
57	92990-06600-00	WASHER, PLATE	2	
58	95380-06700-00	NUT	3	

CONTINUED ON NEXT FRAME >

