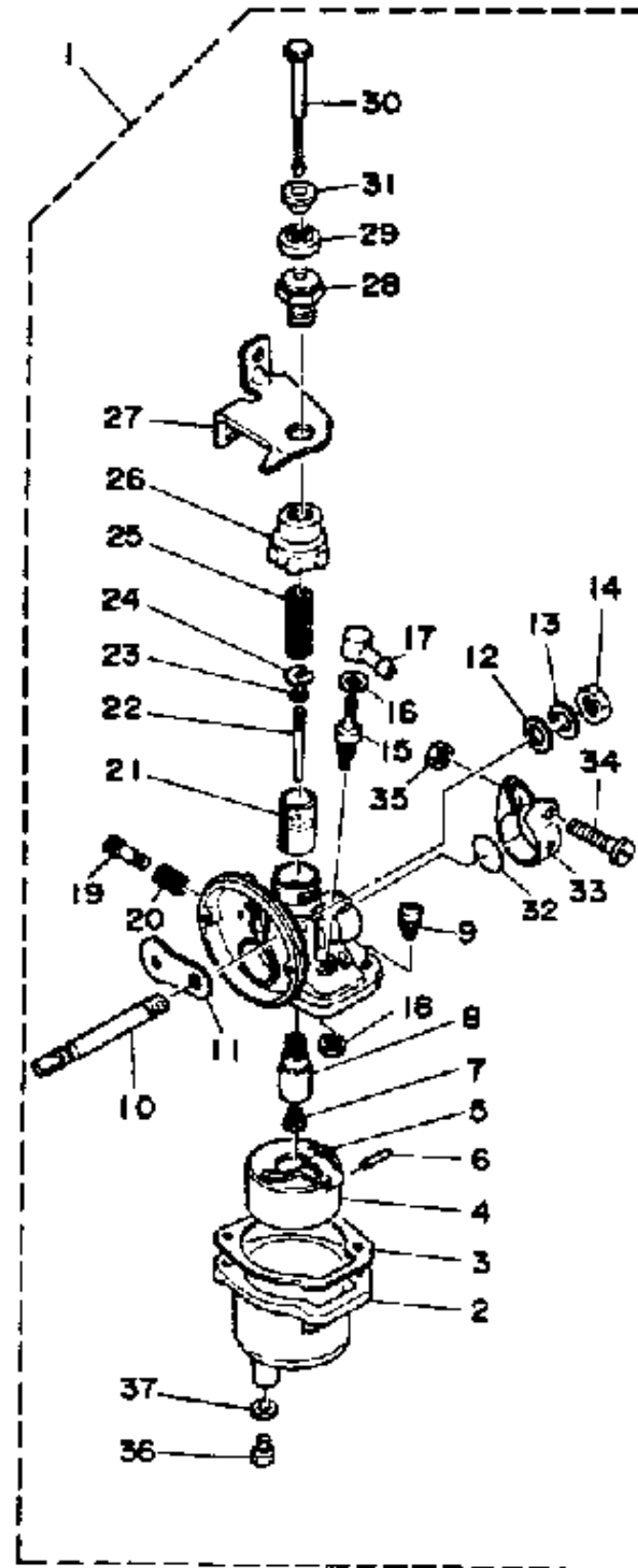


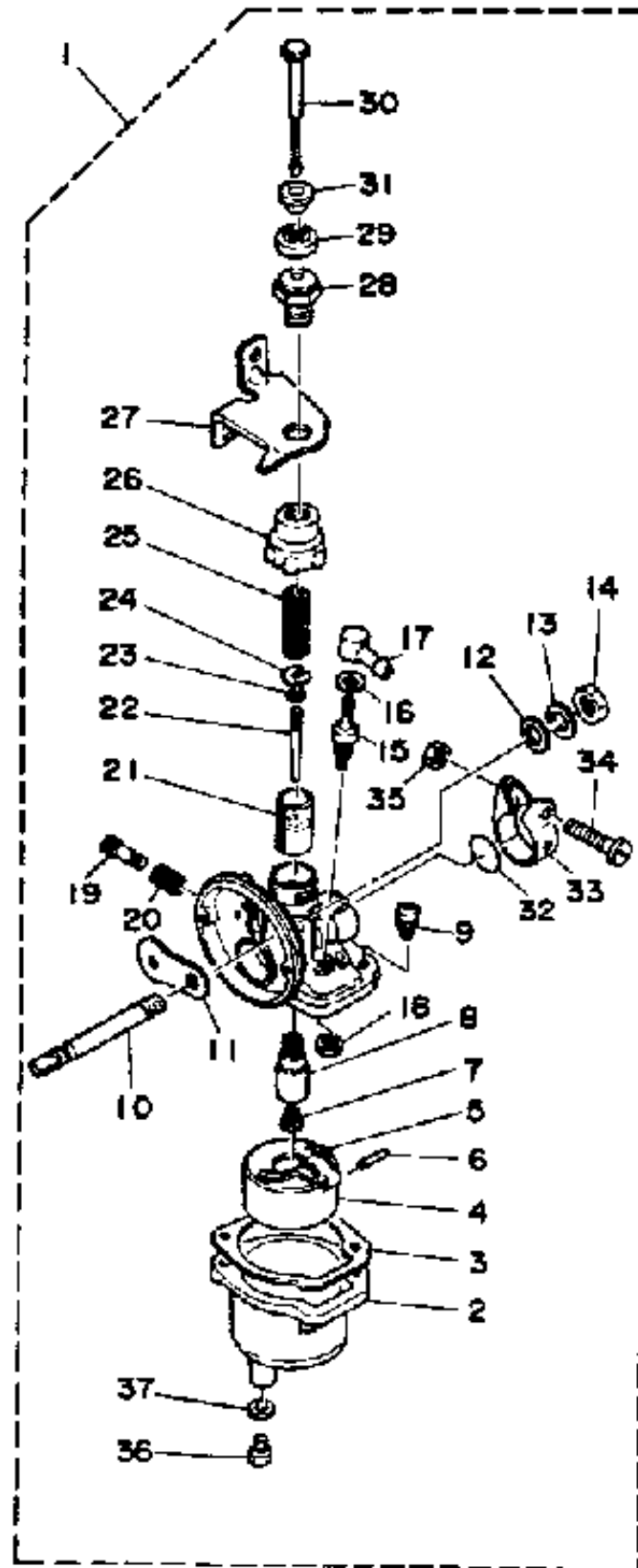
# CARBURETOR



Ref No.	Part Number	Description	Qty	Remarks
1	6A1-14301-02-00	CARB. ASSEMBLY. 1	1	
2	6A1-14381-00-00	. BODY, FLOAT CHAMBER	1	
3	646-14384-00-00	. GASKET, FLOAT CHMBR	1	
4	646-14385-00-00	. FLOAT	1	
5	646-14387-00-00	. ARM, DIAPHRAGM	1	
6	652-14386-00-00	. PIN, FLOAT	1	
7	646-14343-48-00	. JET, MAIN #96 (#96)	1	
8	6A1-14341-00-00	. NOZZLE, MAIN	1	
9	98580-04010-00	. SCREW, PAN HEAD	2	
10	6A1-14448-00-00	. LEVER, CHOKE VALVE	1	
11	(6A1-14217-00-00)	VALVE, CHOKE	1	
12	646-14357-00-00	. WASHER, PLAIN	1	
13	6A1-14356-00-00	. WASHER, SPRING	1	
14	646-14358-00-00	. NUT	1	
15	6A1-14390-00-00	. NEEDLE VALVE ASSEMBLY	1	
16	6A1-14398-10-00	. GASKET	1	
17	6A1-14167-00-00	. CONNECTOR, BANJO	1	
18	6A1-14358-10-00	. NUT	1	
19	646-14211-02-00	. SCREW, PILOT ADJUSTING	1	
20	646-14212-01-00	. SPRING, PILOT ADJUSTING	1	

CONTINUED ON NEXT FRAME >

# CARBURETOR



Ref No.	Part Number	Description	Qty	Remarks
21	646-14312-08-00	. . VALVE, THROTTLE 1	1	
22	6A1-14116-00-00	. NEEDLE	1	
23	646-14137-00-00	. CLIP	1	
24	646-14136-00-00	. . SEAT, SPRING	1	
25	646-14331-01-00	. . SPRING, THROTTLE VALVE	1	
26	646-14158-00-00	. . TOP, MIXING CHAMBER	1	
27	6A1-14497-00-00	. . STAY, THROTTLE WIRE	1	
28	646-14321-00-00	. . SCREW, THROTTLE	1	
29	626-14373-10-00	. COVER, PLUNGER CAP	1	
30	6A1-14314-00-00	. . BAR, THROTTLE	1	
31	6A1-14163-00-00	. . SPACER	1	
32	646-14229-01-00	. O-RING	1	
33	6A1-14127-00-00	. CLIP	1	
34	646-14125-01-00	. SCREW	1	
35	6A1-14358-00-00	. NUT	1	
36	677-14383-01-00	. SCREW, DRAIN	1	
37	6A1-14398-00-00	. GASKET	1	