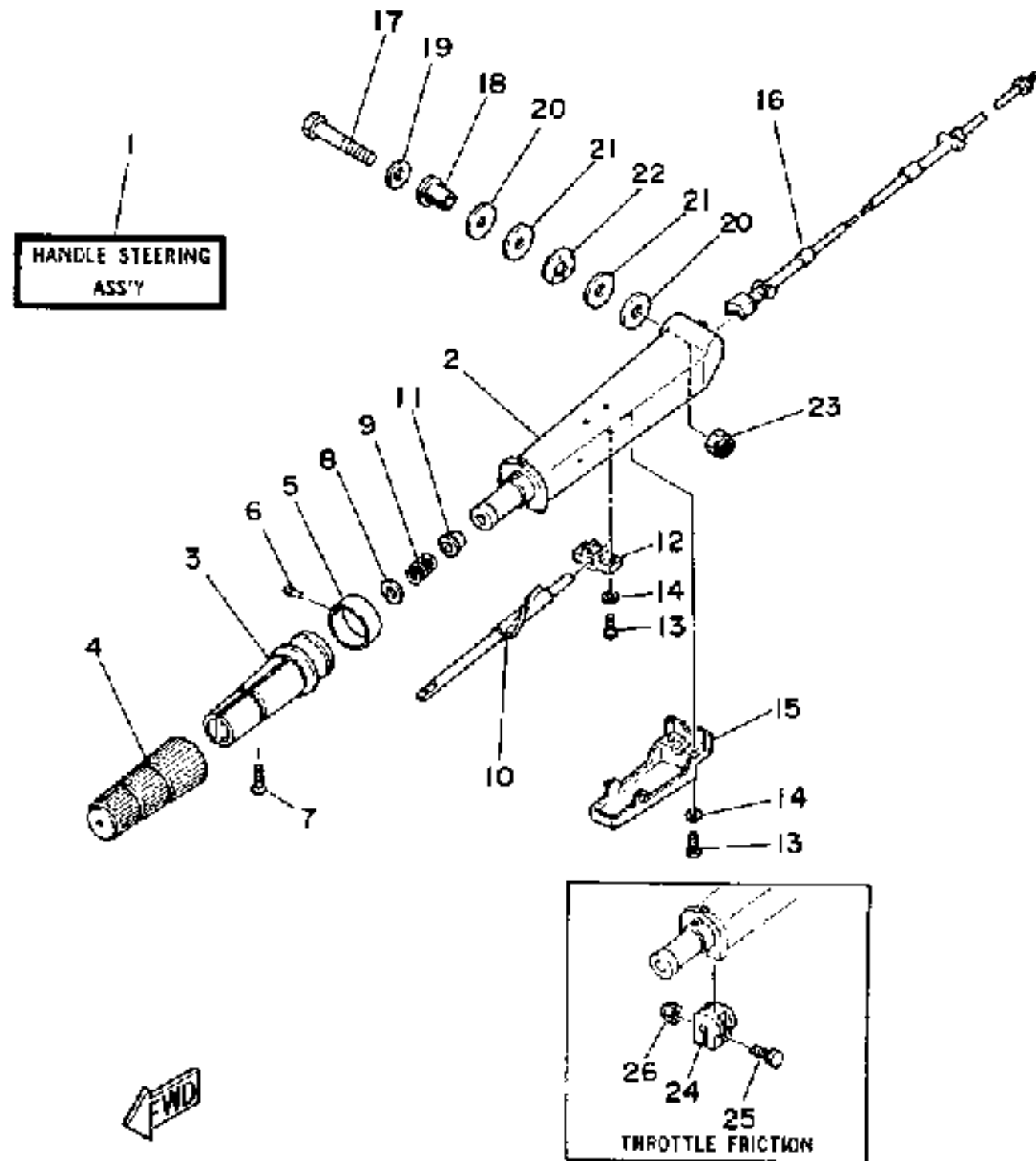


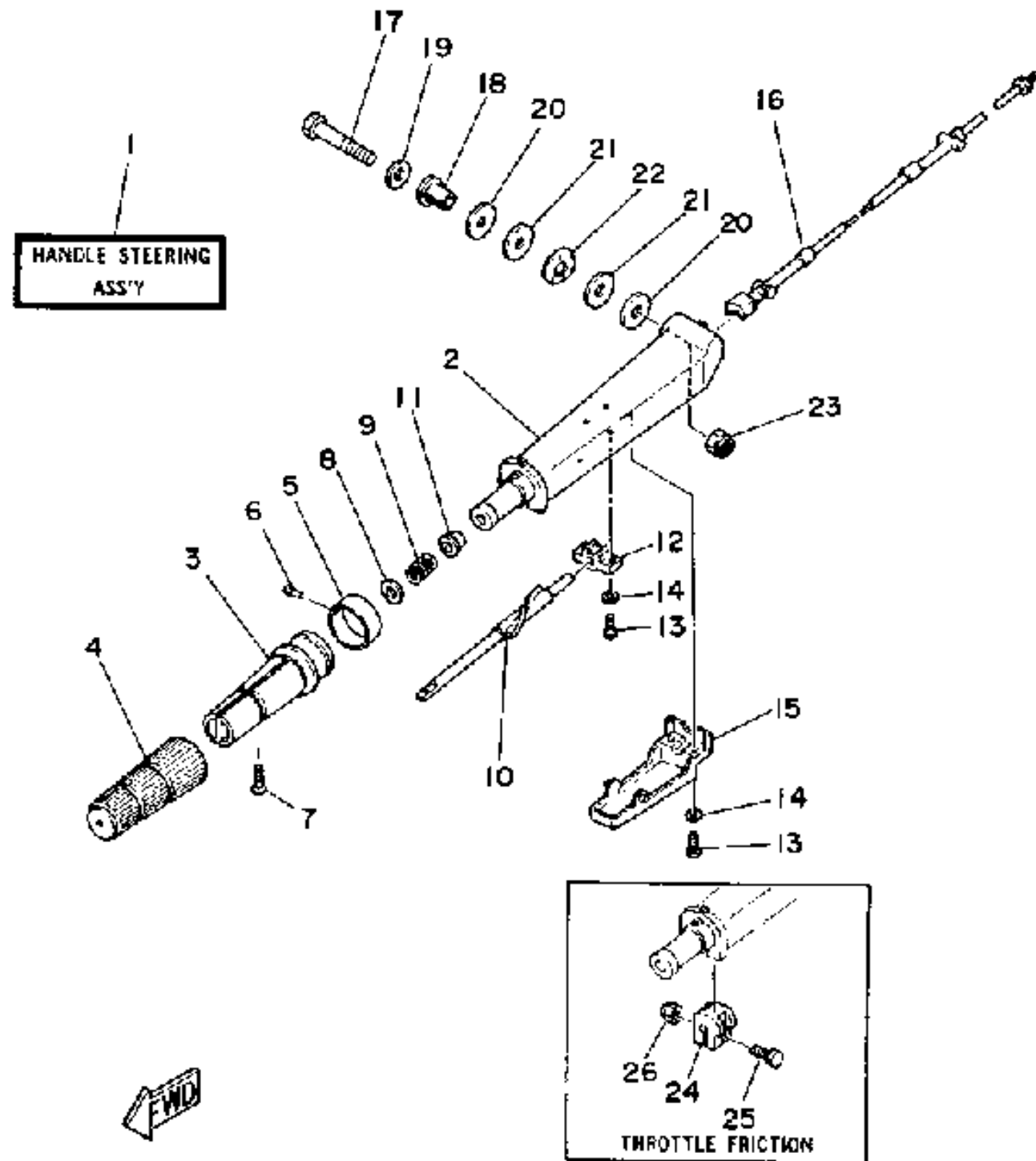
MANUAL STEERING



| Ref No. | Part Number | Description | Qty | Remarks |
|---------|-------------------|--------------------------|-----|---------|
| 1 | 6H4-W0084-03-EK | STEERING HANDLE.ASSEMBLY | 1 | |
| 2 | 6H4-42111-01-EK | HANDLE, STEERING | 1 | |
| 3 | 664-42119-00-00 | GRIP, STEERING HANDLE | 1 | |
| 4 | 6G1-42177-00-00 | RUBBER, HANDLE | 1 | |
| 5 | (6H4-42137-01-00) | INDICATOR, THROTTLE | 1 | |
| 6 | 90269-02M09-00 | RIVET | 1 | |
| 7 | 98680-05525-00 | SCREW.OVAL HEAD | 1 | |
| 8 | 92990-10600-00 | WASHER, PLATE | 1 | |
| 9 | 90501-23215-00 | SPRING, COMPRESSION | 1 | |
| 10 | 6H4-42138-01-00 | LEVER, THROTTLE | 1 | |
| 11 | 90386-08032-00 | BUSH | 1 | |
| 12 | 6H4-42159-00-00 | STAY | 1 | |
| 13 | 98580-05016-00 | SCREW, PAN HEAD | 4 | |
| 14 | 92901-05600-00 | WASHER | 4 | |
| 15 | 6H4-42131-00-00 | COVER, HANDLE STEERING | 1 | |
| 16 | 6H4-26311-03-00 | CABLE, THROTTLE 1 | 1 | |
| 17 | 90101-12M37-00 | BOLT | 1 | |
| 18 | 90386-12089-00 | BUSH | 1 | |
| 19 | 92990-12200-00 | WASHER, PLAIN | 1 | |
| 20 | 90202-12092-00 | WASHER, PLATE | 2 | |

CONTINUED ON NEXT FRAME >

MANUAL STEERING



| Ref No. | Part Number | Description | Qty | Remarks |
|---------|-----------------|--------------------------------|-----|---------|
| 21 | 90201-12537-00 | WASHER, PLATE | 2 | |
| 22 | 90206-12054-00 | WASHER, WAVE | 1 | |
| 23 | 90185-12058-00 | NUT, SELF-LOCKING | 1 | |
| 24 | 656-42126-01-00 | FRICTION, STEERING HANDLE GRIP | 1 | |
| 25 | 97395-06020-00 | BOLT, HEXAGON | 1 | |
| 26 | 90185-06062-00 | NUT, SELF-LOCKING | 1 | |