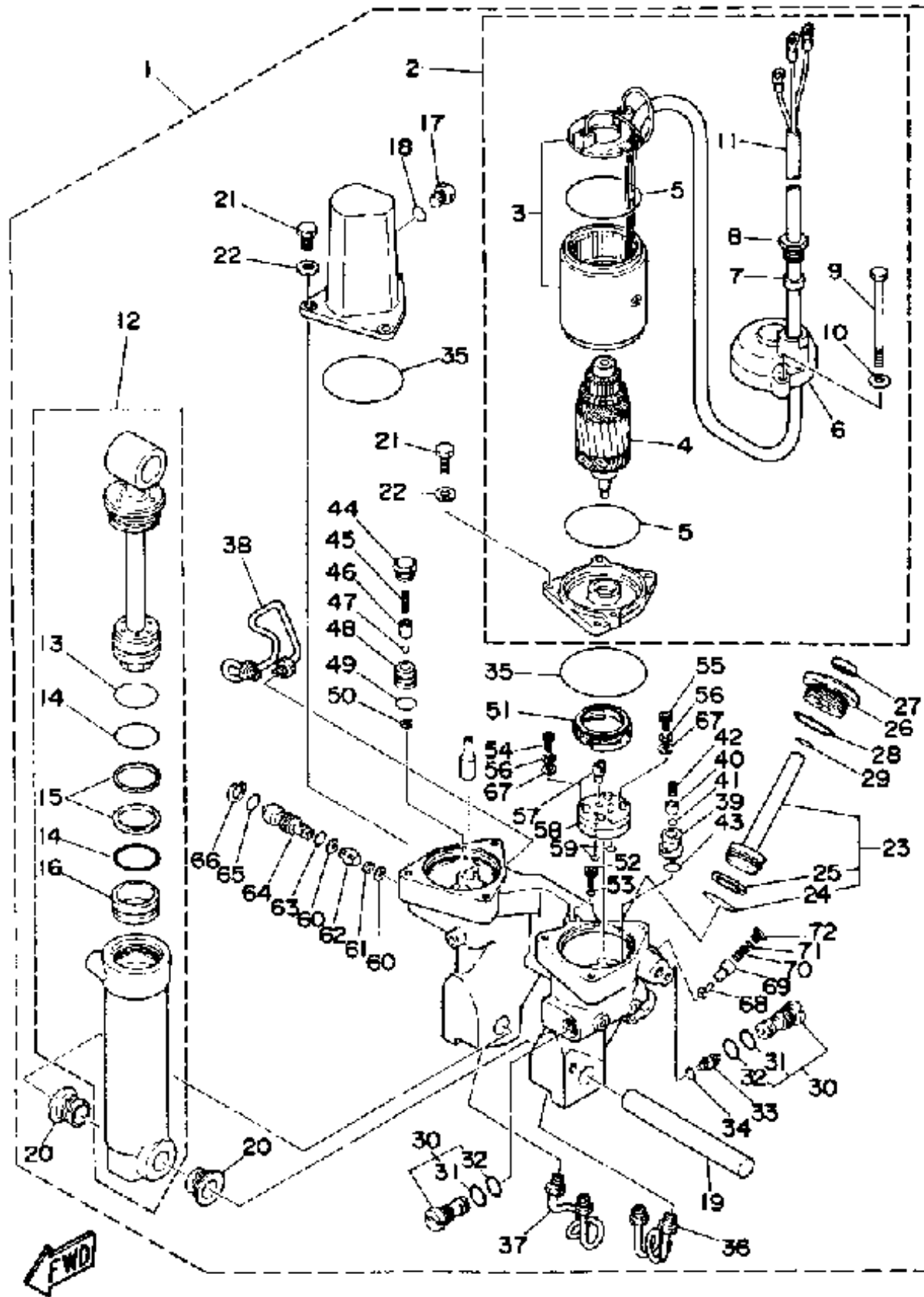


POWER TRIM TILT ASSEMBLY

Ref No.	Part Number	Description	Qty	Remarks
1	6H3-43800-04-EK	POWER TRIM TILT ASSY	1	
2	688-43880-11-00	. MOTOR ASSEMBLY	1	
3	6E5-43804-00-00	.. STATOR ASSEMBLY	1	
4	6E5-43805-00-00	.. ARMATURE ASSEMBLY	1	
5	93210-71M76-00	.. O-RING	2	
6	6E5-43884-00-00	.. FRAME, COMMUTATOR END	1	
7	6E5-43885-00-00	.. GROMMET	1	
8	6E5-43886-00-00	.. BOLT	1	
9	6E5-43887-00-00	.. BOLT	2	
10	90201-05M01-00	.. WASHER	2	
11	688-43807-11-00	.. WIRE SUB ASSEMBLY	1	
12	697-4380E-01-00	. TILT CYLINDER ASSEMBLY	1	
13	6E5-43861-00-00	.. O-RING	1	
14	6E5-43862-00-00	.. O-RING	2	
15	6E5-43872-00-00	.. RING, BACK UP	2	
16	6E5-43814-01-00	.. PISTON, FREE	1	
17	6E5-43829-00-00	. PLUG, RESERVOIR	1	
18	6E5-43863-00-00	. O-RING	1	
19	6E5-43818-00-00	. PIN, LOWER SHOCK MOUNT	1	
20	90386-18M14-00	. BUSH	2	

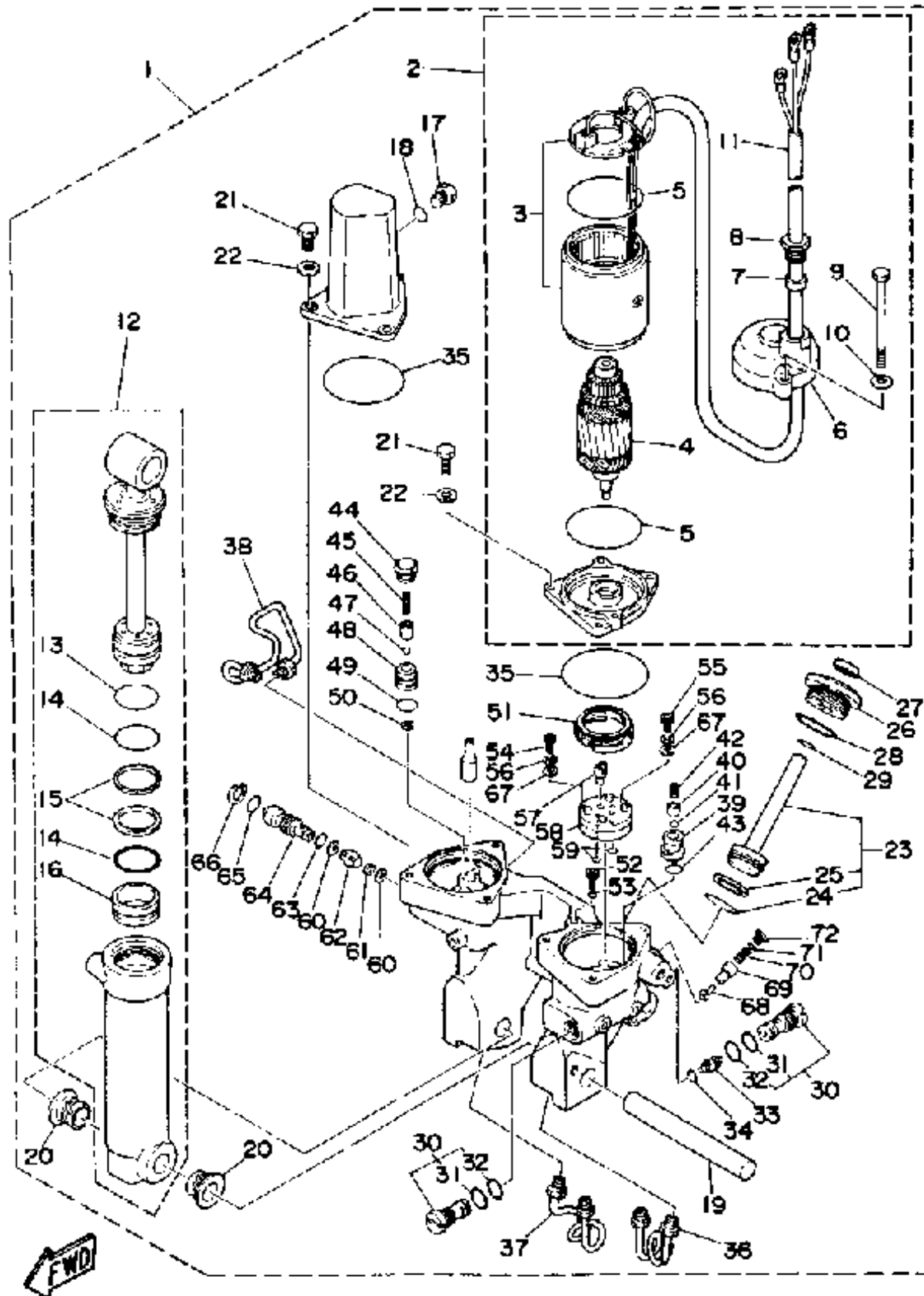
CONTINUED ON NEXT FRAME >



POWER TRIM TILT ASSEMBLY

Ref No.	Part Number	Description	Qty	Remarks
21	(90101-06M85-00)	BOLT	6	
22	90209-06M09-00	. WASHER	6	
23	6E5-43820-02-00	. PISTON SUB ASSEMBLY	2	
24	6E5-43864-00-00	.. O-RING	1	
25	6E5-43874-01-00	.. RING, BACK UP	1	
26	6E5-43821-01-00	. SCREW, TRIM CYLINDER END	2	
27	6E5-43822-01-00	. SEAL, TRIM DUST	2	
28	6E5-43862-00-00	. O-RING	2	
29	6E5-43865-00-00	. O-RING	2	
30	6E5-43802-00-00	. VALVE SUB ASSEMBLY	2	
31	6E5-43866-00-00	.. O-RING	1	
32	6E5-43867-00-00	.. O-RING	1	
33	6E5-43841-01-00	. PISTON, SHUTTLE	1	
34	6E5-43868-00-00	. O-RING	1	
35	6E5-43869-00-00	. O-RING	2	
36	6E5-43833-01-00	. PIPE	1	
37	6E5-43834-01-00	. PIPE	1	
38	6E5-43835-01-00	. PIPE	1	
39	6E5-43851-01-00	. SEAT, RELIEF VALVE	1	
40	6E5-43844-02-00	. PIN, VALVE SUPPORT	1	

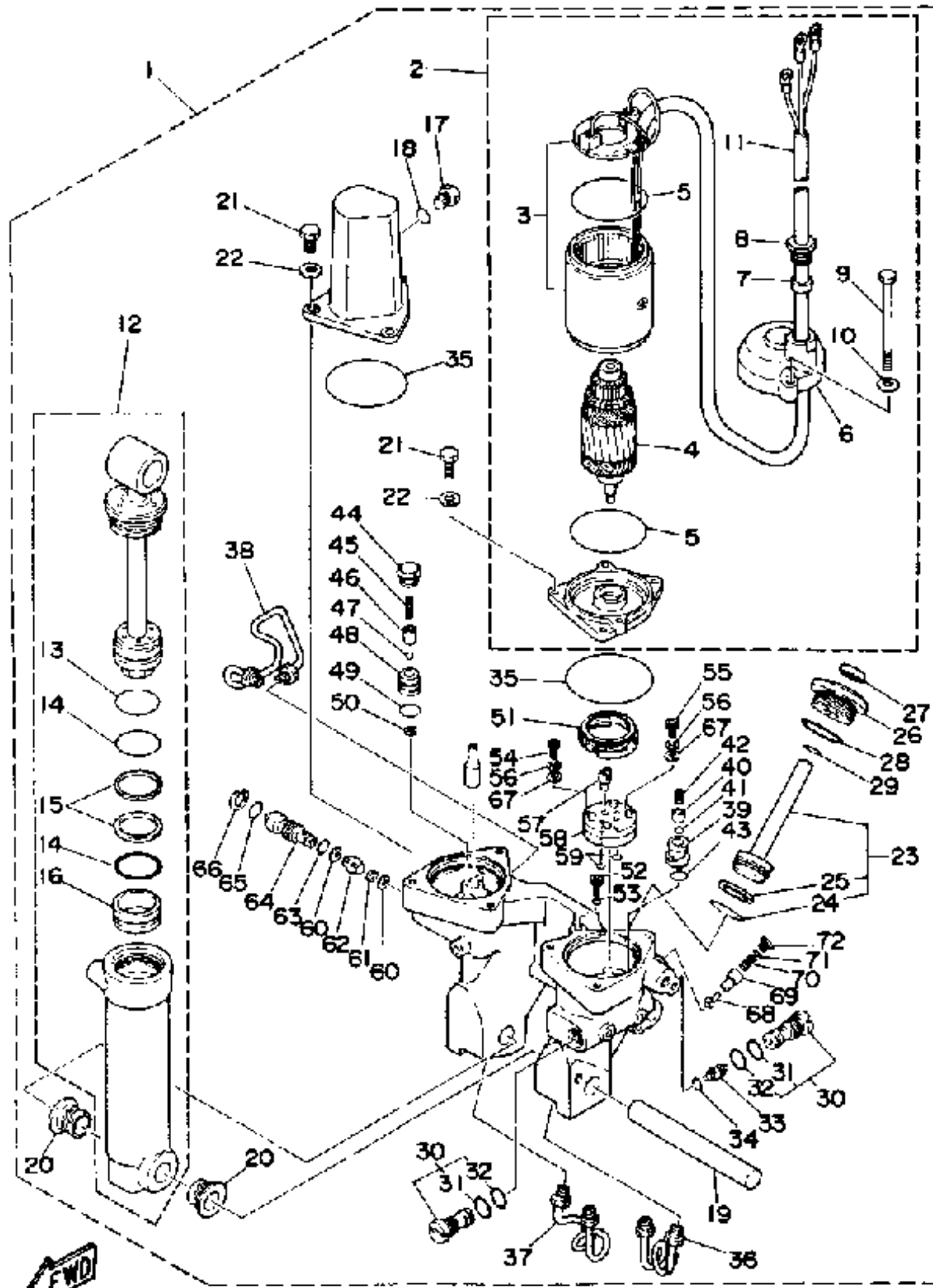
CONTINUED ON NEXT FRAME >



POWER TRIM TILT ASSEMBLY

Ref No.	Part Number	Description	Qty	Remarks
41	6E5-43858-00-00	. BALL	1	
42	6E5-43856-00-00	. SPRING, DOWN RELIEF	1	
43	6E5-43883-00-00	. O-RING	1	
44	6E5-43843-00-00	. SCREW, VALVE LOCK	1	
45	6E5-43855-00-00	. SPRING, UP RELIEF	1	
46	6E5-43859-00-00	. PIN, VALVE SUPPORT	1	
47	6E5-43877-01-00	. BALL	1	
48	6E5-43895-00-00	. O-RING	1	
49	6E5-43896-00-00	..O-RING	1	
50	6E5-43816-10-00	. FILTER 1	1	
51	6E5-43817-10-00	. FILTER 2	1	
52	90109-06M21-00	. BOLT	1	
53	6E5-43897-00-00	. O-RING	1	
54	6E5-43878-01-00	. BOLT, SOCKET	2	
55	6E5-43888-01-00	. BOLT, SOCKET	1	
56	90209-05M10-00	. WASHER	3	
57	6E5-43831-00-00	. CONNECTOR, SHAFT	1	
58	6E5-43830-00-00	. GEAR PUMP ASSEMBLY	1	
59	93210-07M78-00	. O-RING	2	
60	6E5-43847-00-00	. SEAT, MANUAL VALVE	2	

CONTINUED ON NEXT FRAME >



pro_50g

POWER TRIM TILT ASSEMBLY

Ref No.	Part Number	Description	Qty	Remarks
61	6E5-43854-01-00	. SPRING, MANUAL RELEASE	1	
62	6E5-4382A-00-00	. ADAPTER 1	1	
63	93210-10M74-00	. O-RING	1	
64	6E5-43845-01-00	. SCREW, MANUAL RELEASE	1	
65	93210-18M75-00	. O-RING	1	
66	6H1-43875-00-00	. RING, SNAP	1	
67	90201-05M00-00	. WASHER, PLATE	3	
68	6E5-4381A-00-00	. SHAFT	1	
69	6E5-43849-01-00	. PIN, VALVE SUPPORT	1	
70	6E5-43824-01-00	. SPRING, COMPRESSION	1	
71	93210-06M77-00	. O-RING	1	
72	6E5-43842-00-00	. SCREW, VALVE SEAT	1	

B11