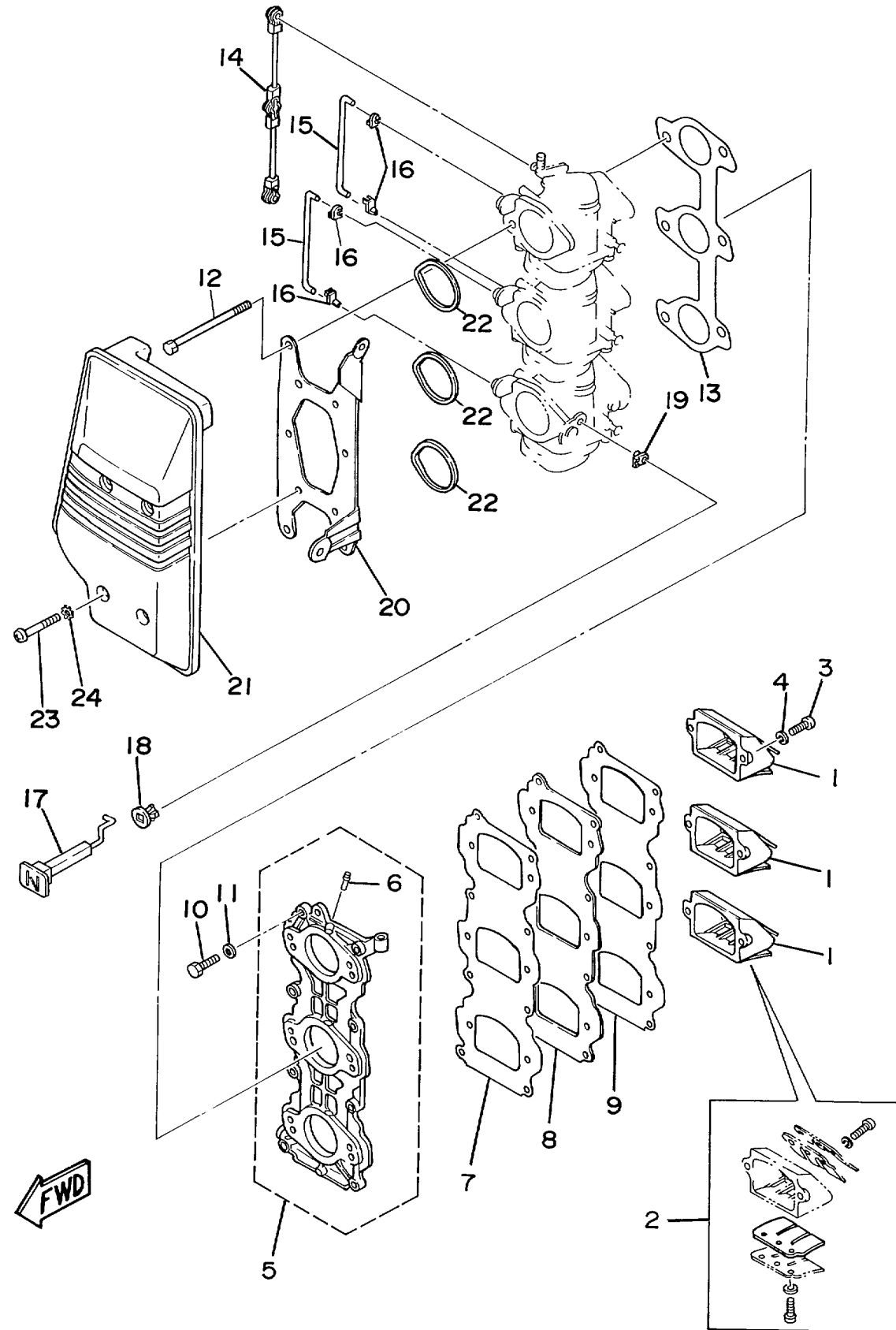


INTAKE

Ref No.	Part Number	Description	Qty	Remarks
1	6H3-13610-00-00	REED VALVE ASSY	1	
2	688-W0004-00-00	.REED SET	1	
3	98580-05020-00	.SCREW, PAN HEAD	6	
4	92990-05100-00	.WASHER, SPRING	6	
5	6H3-13641-11-94	MANIFOLD 1	1	
6	6H1-14485-00-00	.PIPE, JOINT	3	
7	6H3-13621-00-00	GASKET, VALVE SEAT	1	
8	6H3-13624-00-94	PLATE, REED VALVE	1	
9	6H3-13622-00-00	PACKING, VALVE SEAT	1	
10	97313-06025-00	BOLT	8	
11	92990-06600-00	.WASHER, PLATE	8	
12	97313-06095-00	BOLT, HEXAGON	6	
13	6H3-14198-01-00	GASKET	1	
14	6H3-41217-00-00	ROD, ACCEL. LEVER	1	
15	6H3-41257-00-00	ROD, CHOKE 2	2	
16	661-41262-02-00	JOINT, CHOKE LEVER	4	
17	6H3-41271-00-00	KNOB, CHOKE	1	
18	689-41273-00-00	GROMMET	1	
19	661-41262-02-00	JOINT, CHOKE LEVER	1	
20	6H3-14413-10-00	STAY	1	

CONTINUED ON NEXT FRAME >



INTAKE

Ref No.	Part Number	Description	Qty	Remarks
21	6H3-14440-02-00	SILENCER ASSY, INTAKE	1	
22	6H3-14457-01-00	SEAL	3	
23	98580-06545-00	SCREW PAN HEAD	4	
24	90209-06M05-00	WASHER	4	

