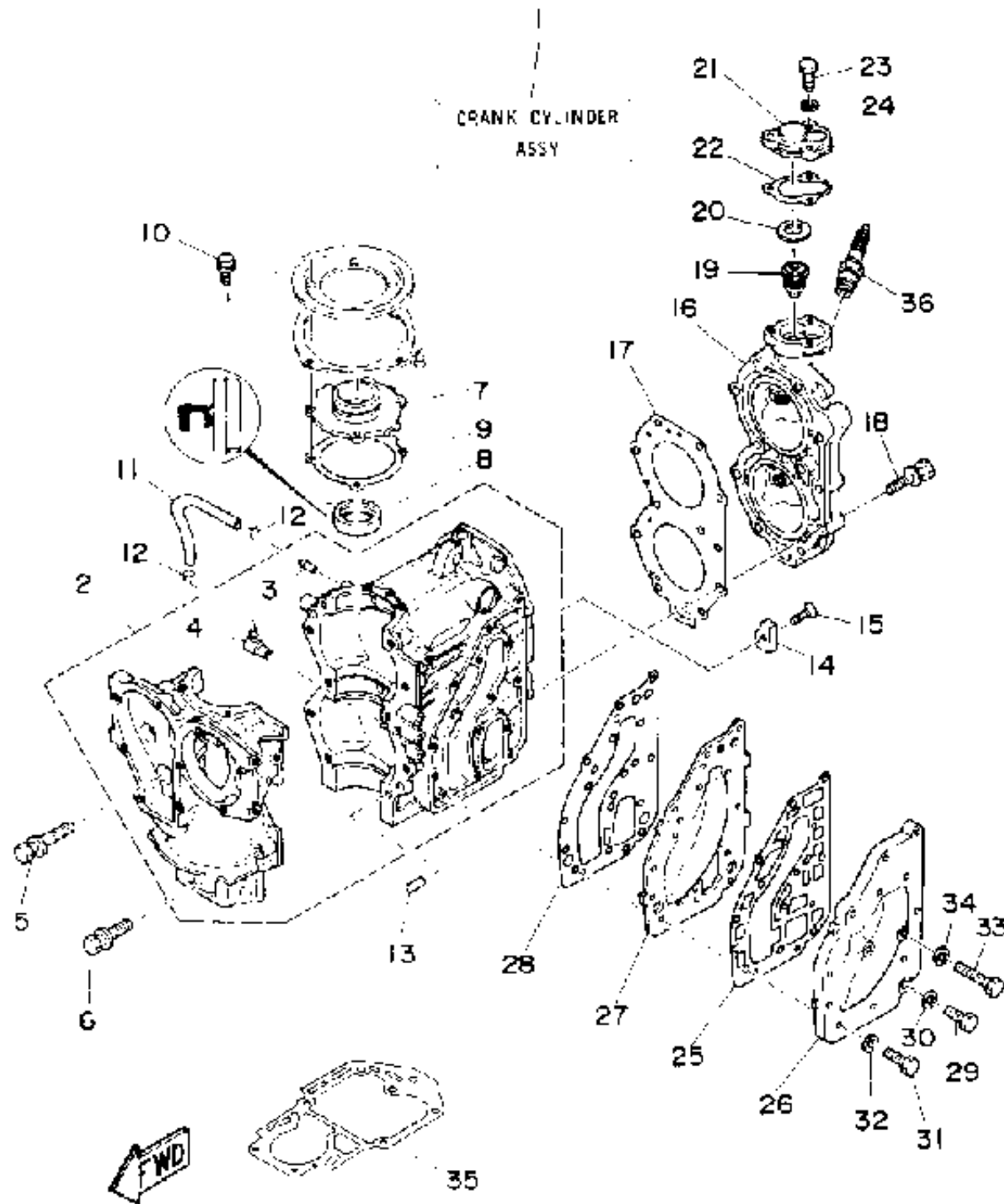


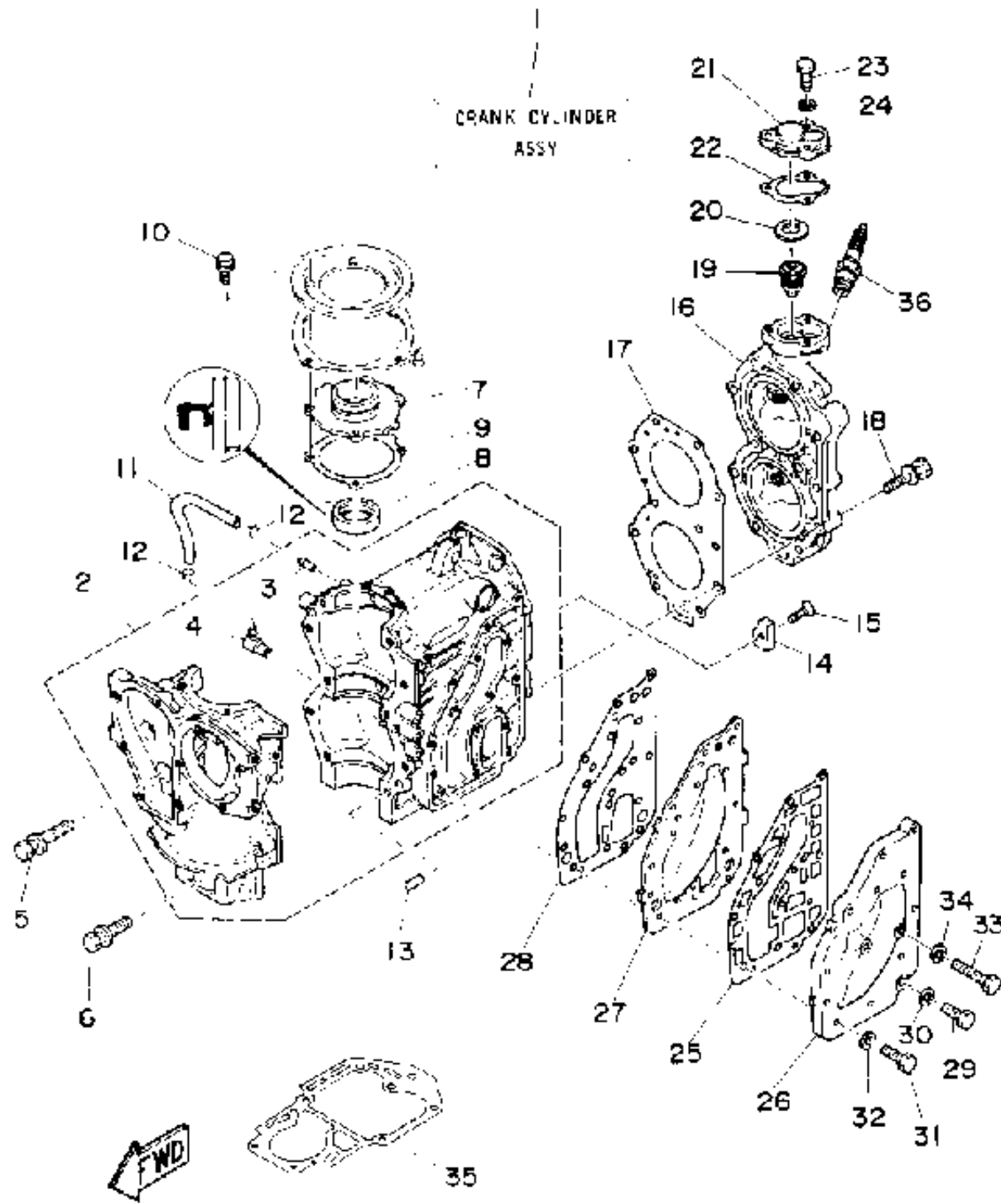
CYLINDER CRANKCASE



Ref No.	Part Number	Description	Qty	Remarks
1	689-W0090-12-EJ	CRANK-CYLINDER. ASSEMBLY.ASS"Y	1	
2	689-15100-01-94	CRANKCASE ASSEMBLY	1	
3	624-14485-00-00	. PIPE, JOINT	1	
4	650-11370-00-00	. CHECK VALVE ASSY	1	
5	90119-08M18-00	BOLT, WITH WASHER	2	
6	90119-08M20-00	BOLT, WITH WASHER	8	
7	689-15359-00-94	HOUSING, OIL SEAL	1	
8	93101-25M50-00	.OIL SEAL	1	
9	689-15369-A0-00	GSKT., O/SEAL HSING HOUSING	1	
10	90105-06M09-00	BOLT, FLANGE	4	
11	90445-07M24-00	HOSE (L240)	1	
12	90467-06016-00	CLIP	2	
13	93606-12019-00	PIN, DOWEL	2	
14	689-11325-00-00	ANODE	1	
15	98780-06020-00	SCREW, FLAT HEAD	1	
16	689-11111-01-94	HEAD, CYLINDER 1	1	
17	689-11181-A0-00	GASKET, CYLINDER. HEAD 1	1	
18	90119-08M18-00	BOLT, WITH WASHER	11	
19	6F5-12411-02-00	THERMOSTAT	1	
20	90201-21567-00	WASHER, PLATE	1	

CONTINUED ON NEXT FRAME >

CYLINDER CRANKCASE



Ref No.	Part Number	Description	Qty	Remarks
21	655-12413-01-9M	COVER, THERMOSTAT	1	
22	655-12414-A1-00	GASKET, COVER	1	
23	97313-06020-00	BOLT, HEXAGON	3	
24	92990-06600-00	.WASHER, PLATE	3	
25	689-41112-A0-00	GSKT, EXH INNR CVR COVER 2	1	
26	689-41113-00-9M	EXHAUST OUTER CVR. EXHAUST	1	
27	689-41111-00-9M	EXHAUST INNER CVR. EXHAUST	1	
28	689-41114-A0-00	GSKT, EXH OUTR CVR COVER 1	1	
29	97313-06025-00	BOLT	1	
30	92990-06600-00	.WASHER, PLATE	1	
31	97313-06030-00	BOLT	12	
32	92990-06600-00	.WASHER, PLATE	12	
33	97313-06050-00	BOLT	2	
34	92990-06600-00	.WASHER, PLATE	2	
35	689-45113-A1-00	GASKET, UPPER CASING	1	
36	NGK-B7HS0-00-00	NGK SPARK PLUG B7HS	2	