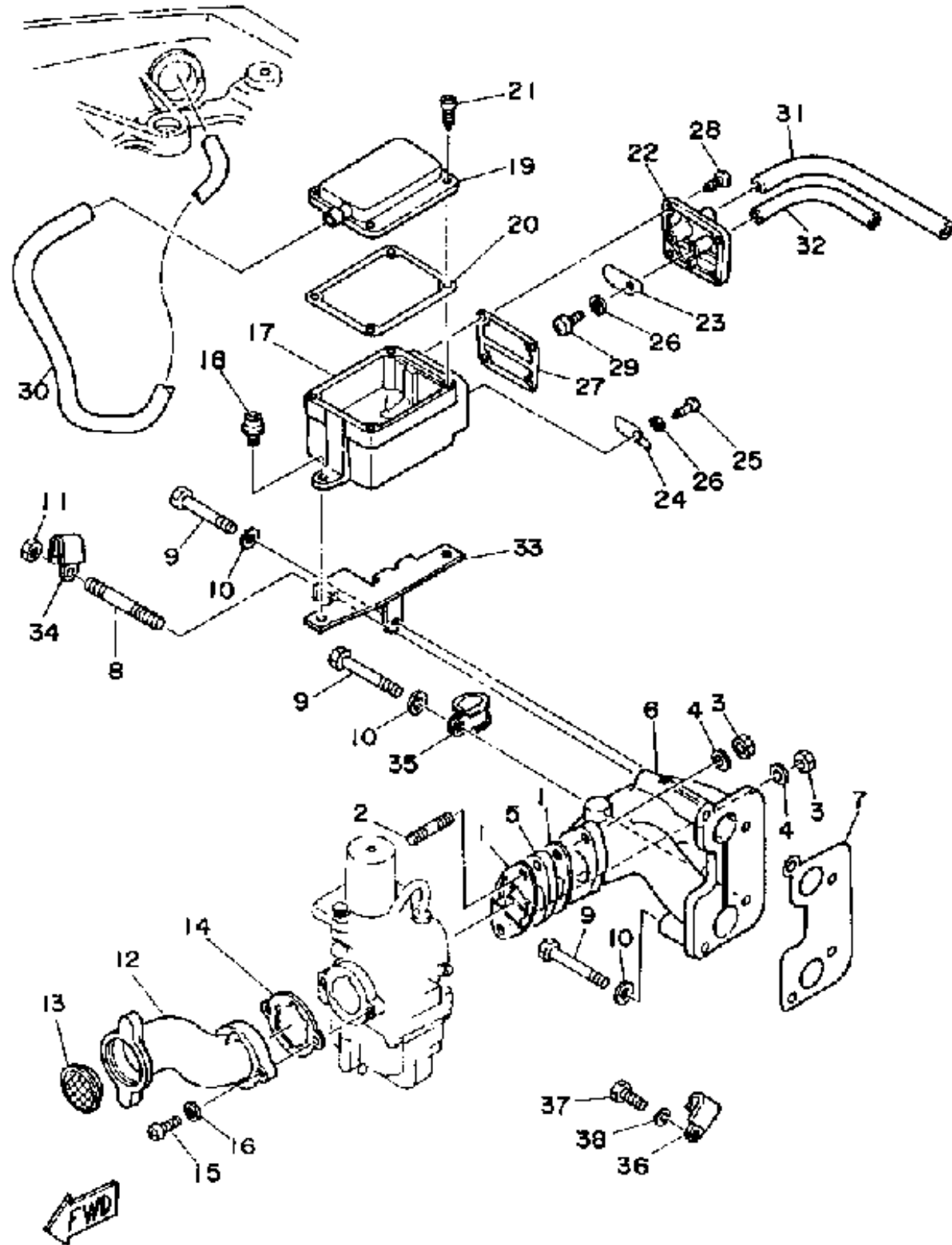


INTAKE

Ref No.	Part Number	Description	Qty	Remarks
1	6G8-13646-A0-00	.GASKET, MANIFOLD 2	2	
2	90116-06M26-00	BOLT, STUD	2	
3	95380-06700-00	NUT	2	
4	92990-06600-00	WASHER, PLATE	2	
5	6G8-13647-00-00	GASKET, MANIFOLD 3	1	
6	6G8-13641-00-94	MANIFOLD 1	1	
7	6G8-13645-00-00	.GASKET, MANIFOLD 1	1	
8	90116-06M15-00	BOLT, STUD	1	
9	97395-06045-00	BOLT, HEXAGON	3	
10	92990-06600-00	WASHER, PLATE	3	
11	95380-06700-00	NUT	1	
12	6G8-14479-01-94	FUNNEL	1	
13	6G8-14478-00-00	LOUVER	1	
14	6G8-14198-A0-00	.GASKET	1	
15	98580-05016-00	SCREW, PAN HEAD	2	
16	92990-05600-00	WASHER, PLATE	2	
17	6G8-15358-00-00	SEPARATOR, OIL	1	
18	90159-06M05-00	SCREW, WITH WASHER	2	
19	6G8-15368-00-94	SEPERATOR, OIL	1	
20	6G8-15369-00-00	GASKET, OIL SEAL HOUSING	1	

CONTINUED ON NEXT FRAME >



INTAKE

Ref No.	Part Number	Description	Qty	Remarks
21	97780-40112-00	SCREW, TAPPING	4	
22	6G8-15371-00-94	BREATHER	1	
23	6G8-15346-00-00	BREATHER 1	1	
24	6G8-15347-00-00	BREATHER 2	1	
25	97780-40112-00	SCREW, TAPPING	1	
26	92990-04200-00	WASHER	2	
27	6G8-15374-00-00	.GASKET, BREATHER	1	
28	97780-40112-00	SCREW, TAPPING	4	
29	98580-04010-00	.SCREW, PAN HEAD	1	
30	6G8-15393-00-00	PIPE, BREATHER 2	1	
31	90445-11M52-00	HOSE (L150)	1	
32	90445-09065-00	HOSE (L90)	1	
33	6G8-15376-00-00	HOLDER, GUIDE	1	
34	90465-08028-00	CLAMP	1	
35	90461-06M01-00	CLAMP	1	
36	90465-08028-00	CLAMP	1	
37	97013-06012-00	BOLT	2	
38	92990-06600-00	WASHER, PLATE	2	

