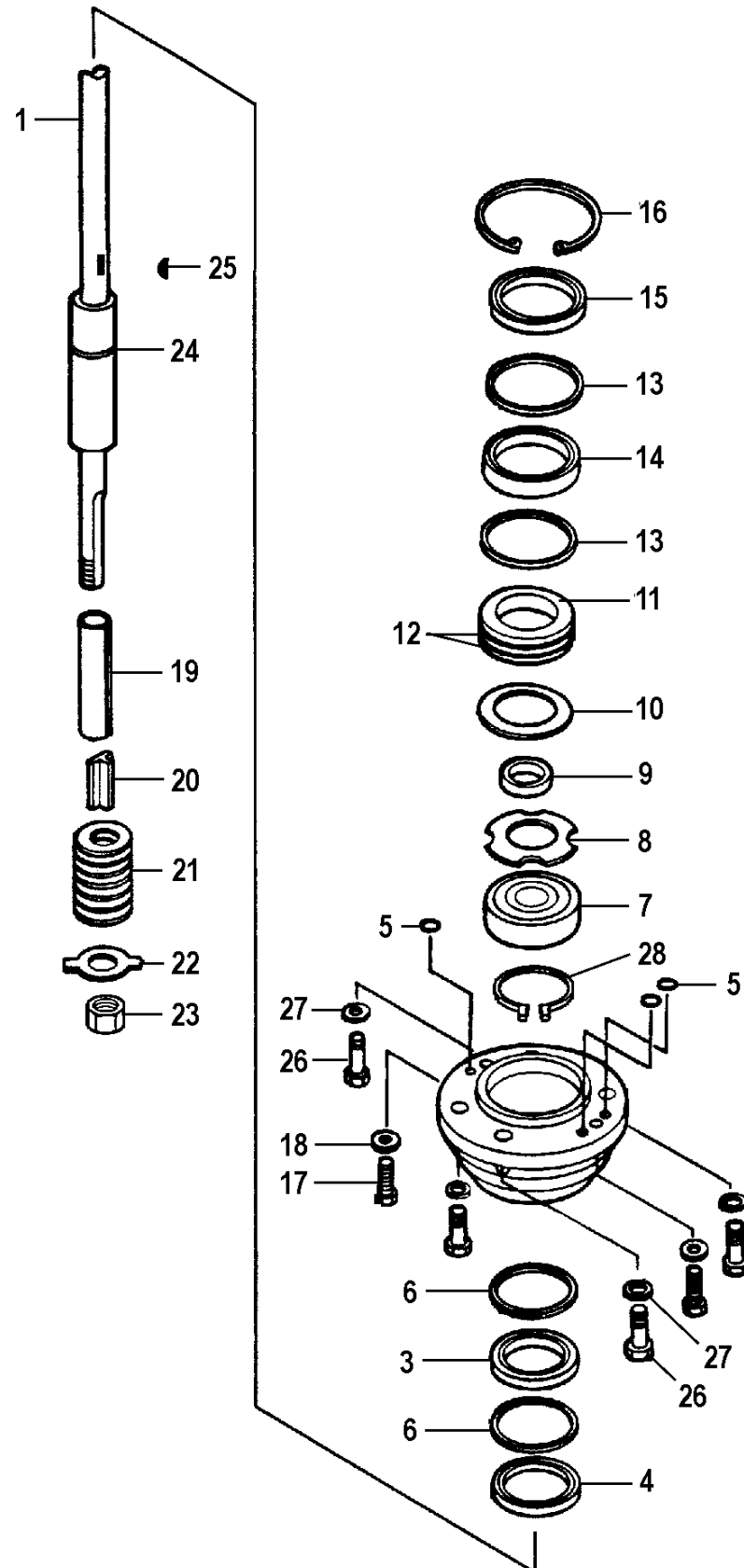


# DRIVE 1 40S - 50EL

Ref No.	Part Number	Description	Qty	Remarks
1	6H4-JD009-11-00	DRIVESHAFT W/BRG CARR	1	40 HP MODEL
1	6H4-JD009-15-00	DRIVE SHAFT W/BRG CARR	1	50 HP MODEL
1	6H4-JD009-10-00	. DRIVESHAFT ONLY	1	40 HP MODEL
1	6H4-JD009-14-00	. DRIVESHAFT ONLY	1	50 HP MODEL
2	6H4-JD009-17-00	. BEARING CARRIER W/SEALS, O-RINGS	1	
3	6H4-JD005-06-00	. . SHAFT SEAL (N472324)	1	
4	6H4-JD005-07-00	. . SHAFT SEAL (N6324S)	1	
5	6H4-JD005-21-00	. . O-RING	3	
6	6H4-JD005-17-00	. RETAINING RING	2	
7	6H4-JD005-04-00	. BEARING, SINGLE ROW	1	
8	6H4-JD008-32-00	. THRUST WASHER	1	
9	6H4-JD004-77-00	. COLLAR, BACKFIT	1	
10	6H4-JD008-33-00	. SPACER	1	
11	6H4-JD004-33-00	. SEAL CARRIER W/O-RINGS	1	
12	6H4-JD005-26-00	. . O-RING	2	
13	6H4-JD005-17-00	. RETAINING RING	2	
14	6H4-JD005-06-00	. SHAFT SEAL (N472324)	1	
15	6H4-JD005-07-00	. SHAFT SEAL (N6324S)	1	
16	6H4-JD005-12-00	. RETAINING RING	1	
17	6H4-JD005-61-00	SCREW, #10-24 X 5/8"	2	

CONTINUED ON NEXT FRAME >



# DRIVE 1 40S - 50EL

Ref No.	Part Number	Description	Qty	Remarks
18	6H4-JD006-37-00	WASHER, SPRING LOCK #10	2	
19	6H4-JD000-36-00	SHAFT SLEEVE, IMPELLER	1	
20	6H4-JD007-82-00	KEY, TEE	1	
21	6H4-JD000-21-00	SHIM WASHER	9	
22	6H4-JD008-05-00	NUT, KEEPER	1	
23	6H4-JD000-22-10	NUT, DRIVESHAFT FLAT	1	
24	6H4-JD000-41-00	SHAFT BEARING THRUST	1	
25	90280-03024-00	.KEY, WOODRUFF	1	
25	6H4-JD000-12-75	TEE KEY	1	UR W/UPDATED DRIVESHAFT
26	6H4-JD005-99-00	BOLT, HEX HEAD	4	
27	6H4-JD006-40-00	WASHER, SPRING LOCK 5/16"	4	
28	6H4-JD005-11-00	RETAINING RING	1	

