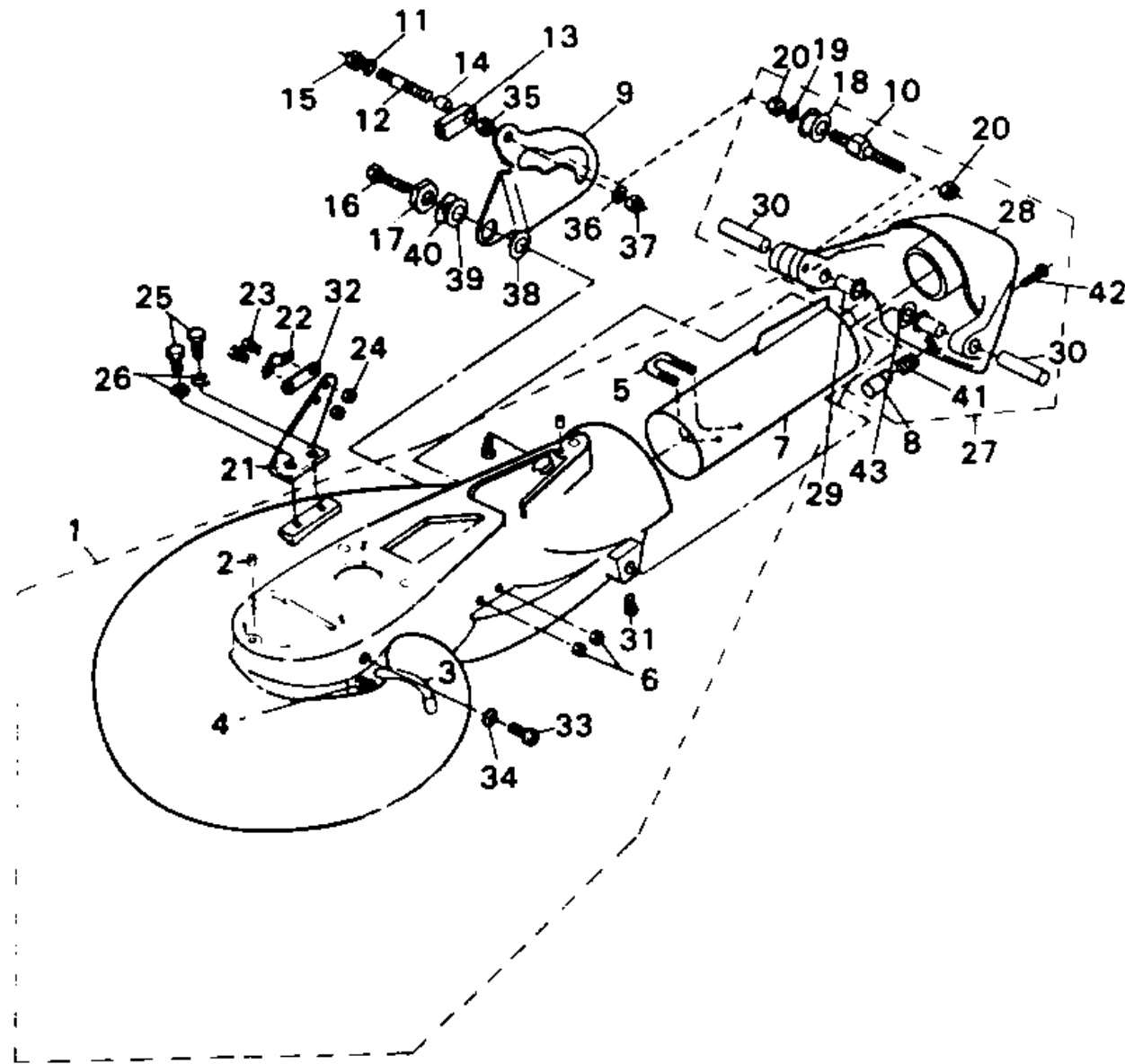


MAIN HOUSING 40S - 50EL

Ref No.	Part Number	Description	Qty	Remarks
1	6H4-JD009-02-00	MAIN HOUSING W/EX. TUBE	1	
2	6H4-JD006-31-00	DOWEL PIN, 3/16" X 1/2"	2	
3	6H4-JD009-75-00	GREASE HOSE	1	
4	6H4-JD005-39-00	GREASE FITTING	1	
5	6H4-JD008-46-00	U-BOLT	1	
6	6H4-JD006-21-00	NUT, NYLOC 10-32	2	
7	6H4-JD000-80-00	EXHAUST TUBE	1	
8	6H4-JD001-16-90	GATE BUMPER	1	
9	6H4-JD001-03-50	SHIFT CAM, MEDIUM	1	
10	6H4-JD001-04-30	SHAFT, ROLLER	1	
11	6H4-JD006-35-00	WASHER, PLAIN 1/4"	1	
12	6H4-JD001-19-90	PIVOT - CABLE END	1	
13	6H4-JD005-45-00	TERMINAL EYE	1	
14	6H4-JD007-77-00	SHIFTER BUSHING	1	
15	6H4-JD006-24-00	NUT, FIBER LOCK 1/4-28	1	
16	6H4-JD005-74-10	BOLT, HEX HD 1/4-20 X 3/4" NYLOC	1	
17	6H4-JD001-03-60	CAM, ECCENTRIC DRILLED	1	
18	6H4-JD001-04-20	SHAFT, ROLLER	1	
19	6H4-JD006-35-00	WASHER, PLAIN 1/4"	1	
20	6H4-JD006-24-00	NUT, FIBER LOCK 1/4-28	1	

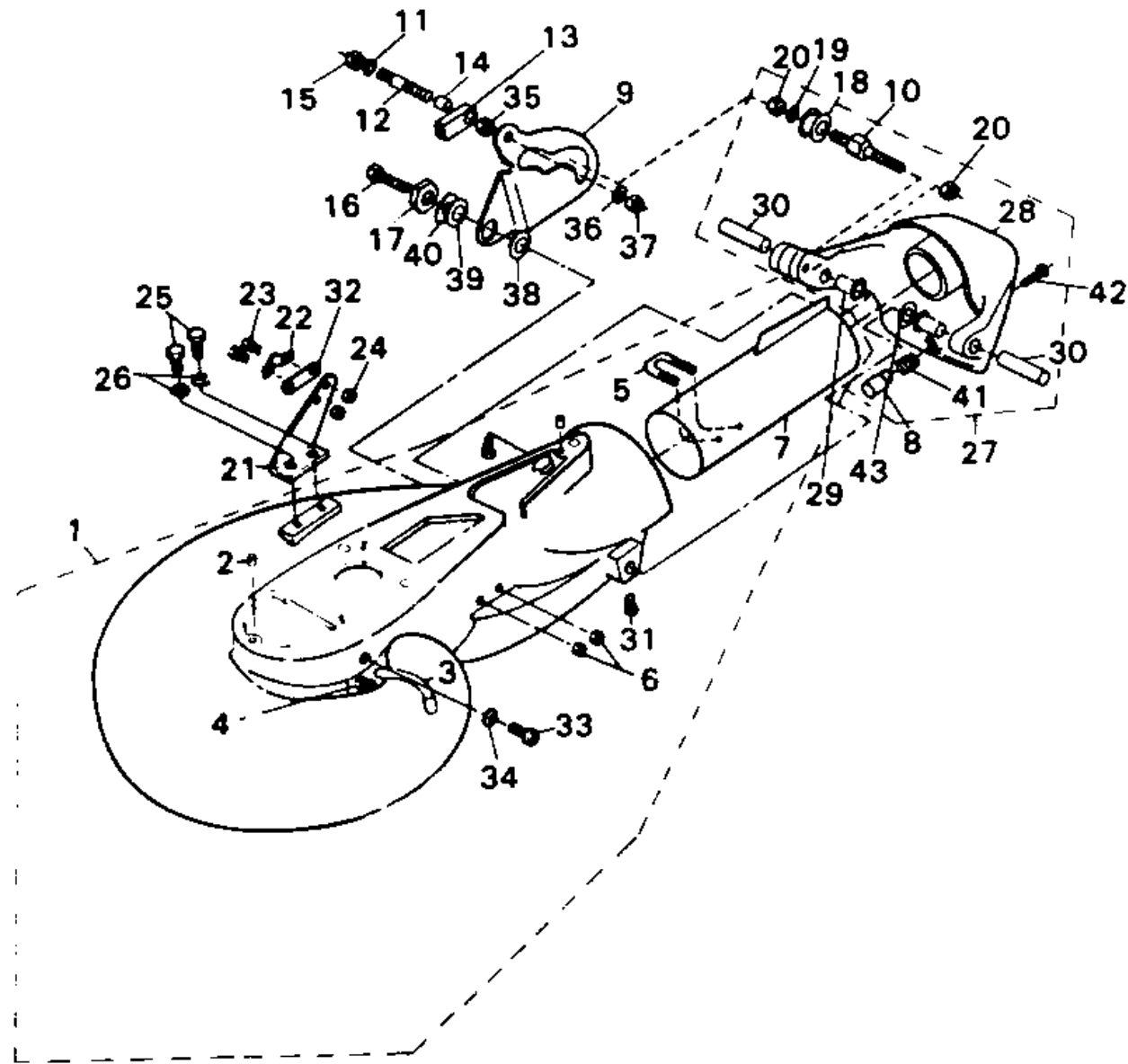
CONTINUED ON NEXT FRAME >



MAIN HOUSING 40S - 50EL

Ref No.	Part Number	Description	Qty	Remarks
21	6H4-JD001-56-00	BRACKET, CABLE SUPPORT	1	
22	6H4-JD005-43-00	NUT, NYLOC 1/4-20	1	
23	6H4-JD005-61-00	SCREW, #10-24 X 5/8"	2	
24	6H4-JD006-19-00	NUT, FIBER LOCK #10-24	2	
25	6H4-JD005-72-00	BOLT, 1/4-20 X 5/8"	2	
26	6H4-JD006-35-00	WASHER, PLAIN 1/4"	2	
27	6H4-JD001-17-60	GATE ASSY. MED CAM	1	
28	6H4-JD00Z-SR-00	J/D LOWER UNIT ASSEMBLY	1	UR 50 H.P.
28	6H4-JD00Z-SM-00	40/28 HP J/D PMP	1	UR 40 H.P.
28	6H4-JD011-75-01	REVERSE GATE, MED	1	
29	6H4-JD005-35-00	. NYLON SLEEVE	2	
30	6H4-JD008-22-00	. PIN, REVERSE PIVOT	2	
31	6H4-JD005-74-00	. BOLT	2	
32	6H4-JD005-42-00	SHIM	1	
33	6H4-JD001-02-40	FLUSH SCREW	1	
34	6H4-JD001-02-50	WASHER, FIBER M8	1	
35	6H4-JD000-62-00	NUT HEX JAM 1/4-28	1	
36	6H4-JD006-38-00	WASHER, SPRING LOCK 1/4"	1	
37	6H4-JD006-22-00	NUT, JAM 1/4-28	1	
38	6H4-JD001-03-70	BUSHING, CAM	1	

CONTINUED ON NEXT FRAME >



MAIN HOUSING 40S - 50EL

Ref No.	Part Number	Description	Qty	Remarks
39	6H4-JD001-03-80	WASHER, CAM	1	
40	6H4-JD001-03-90	SHIM, CAM	1	
41	6H4-JD001-17-00	SPRING, GATE PIVOT 3/8"	1	
42	6H4-JD005-58-00	SCREW, FIL HD SLOTTED	1	
43	6H4-JD001-17-70	SPRING, GATE PIVOT 3/8	1	