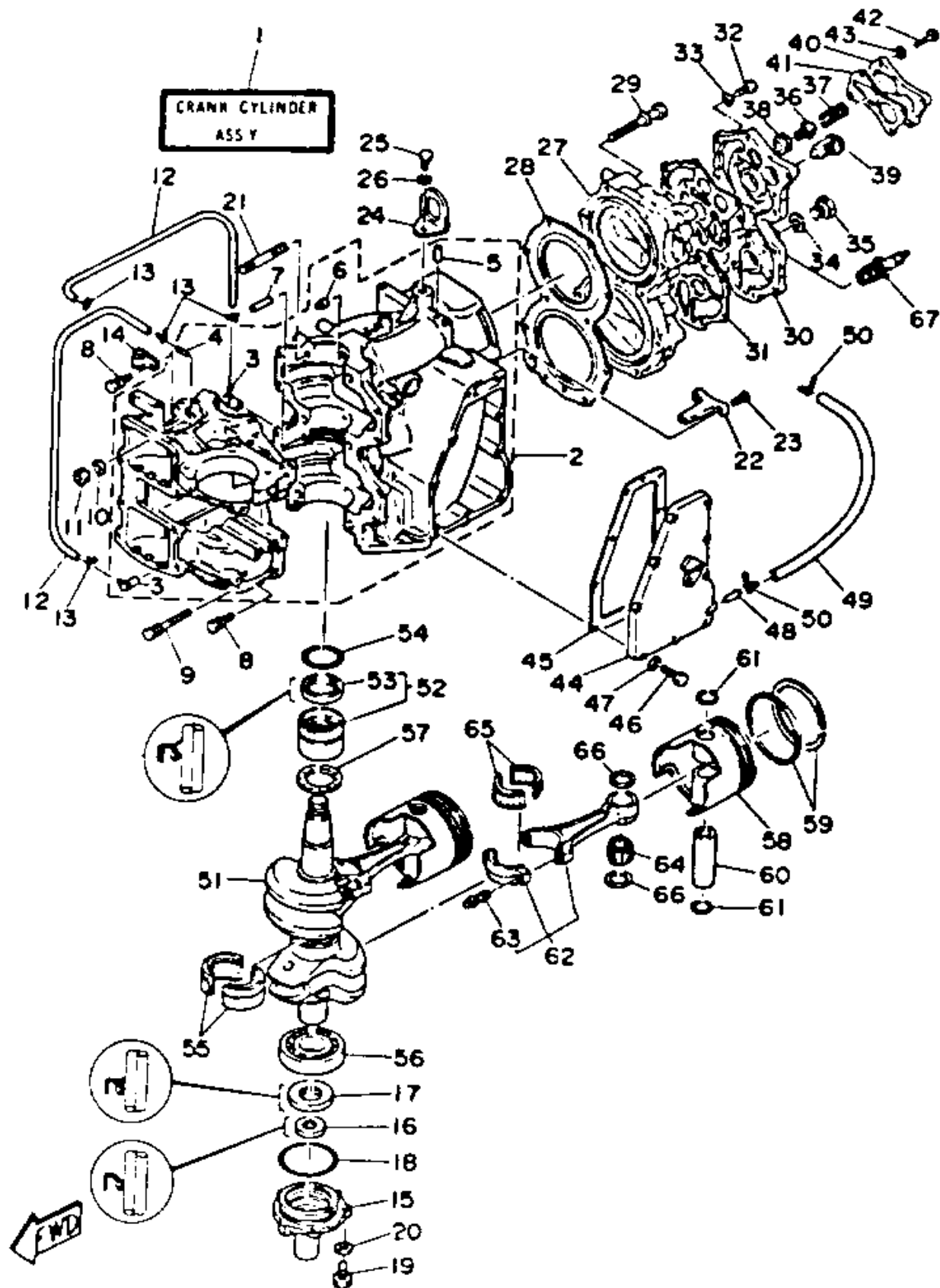


CYLINDER CRANKCASE

Ref No.	Part Number	Description	Qty	Remarks
1	697-W0090-04-EK	CRANK CYLINDER. ASSEMBLY (REF#2-66)	1	
2	697-15100-01-94	CRANKCASE ASSEMBLY	1	
3	650-11370-00-00	. CHECK VALVE ASSY	2	
4	624-14485-00-00	. .PIPE, JOINT	1	
5	93604-08062-00	. PIN, DOWEL	1	
6	663-11518-01-00	. .LOCK, BEARING	2	
7	93608-12063-00	PIN, DOWEL	1	
8	90119-06M12-00	BOLT, WITH WASHER	8	
9	90119-10M07-00	BOLT, WITH WASHER	4	
10	90201-100F7-00	WASHER, PLATE	2	
11	95313-10600-00	NUT	2	
12	90445-07240-00	HOSE (L330)	2	
13	90467-06016-00	CLIP	4	
14	90461-04011-00	CLAMP	1	
15	663-15359-01-94	HOUSING, OIL SEAL	1	
16	93104-18049-00	OIL SEAL	1	
17	93102-28135-00	OIL SEAL	1	
18	93210-62269-00	O-RING	1	
19	97395-06016-00	BOLT, HEX	3	
20	92990-06600-00	.WASHER, PLATE	3	

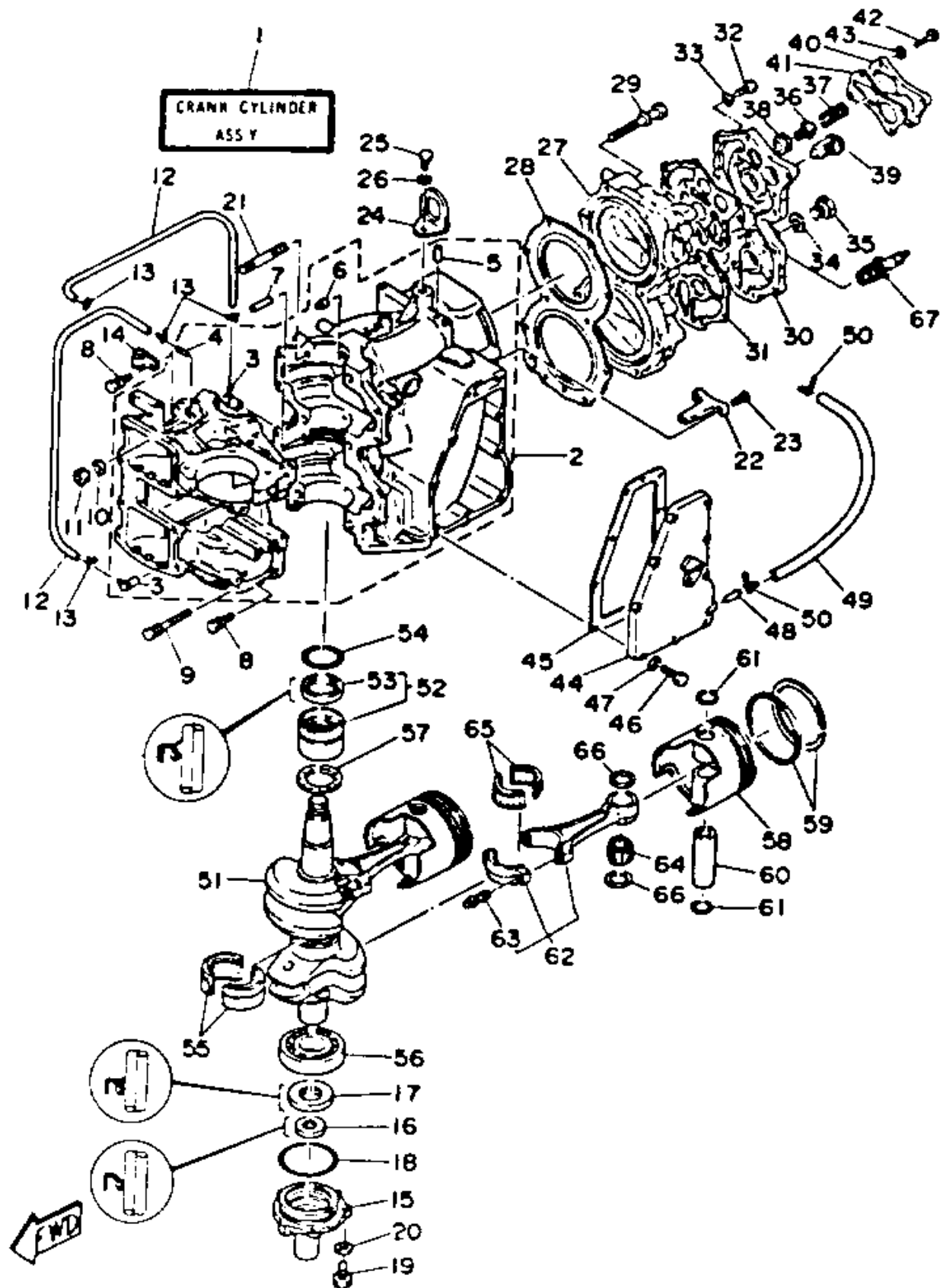
CONTINUED ON NEXT FRAME >



CYLINDER CRANKCASE

Ref No.	Part Number	Description	Qty	Remarks
21	90116-10177-00	BOLT, STUD	2	
22	663-11325-00-00	ANODE	1	
23	98680-04016-00	SCREW OVAL HEAD	2	
24	697-11119-00-00	HANGER, ENGINE	1	
25	97013-08025-00	BOLT	1	
26	92990-08100-00	.WASHER, SPRING	1	
27	663-11111-02-94	HEAD, CYLINDER 1	1	
28	697-11181-A0-00	GASKET, CYLINDER HEAD 1	1	
29	90119-08M21-00	BOLT, WITH WASHER	10	
30	663-11191-00-9M	COVER, CYLINDER HEAD 1	1	
31	663-11193-A0-00	GASKET, HEAD COVER 1	1	
32	97313-06020-00	BOLT, HEXAGON	12	
33	92990-06600-00	.WASHER, PLATE	12	
34	90430-14115-00	.GASKET	1	
35	90340-14036-00	PLUG, STRAIGHT SCREW	1	
36	663-12416-00-00	VALVE, PRESSURE CONTROL	1	
37	90501-14234-00	SPRING, COMPRESSION	1	
38	90480-18065-00	GROMMET	1	
39	6F5-12411-02-00	THERMOSTAT	1	
40	663-12413-00-9M	COVER, THERMOSTAT	1	

CONTINUED ON NEXT FRAME >

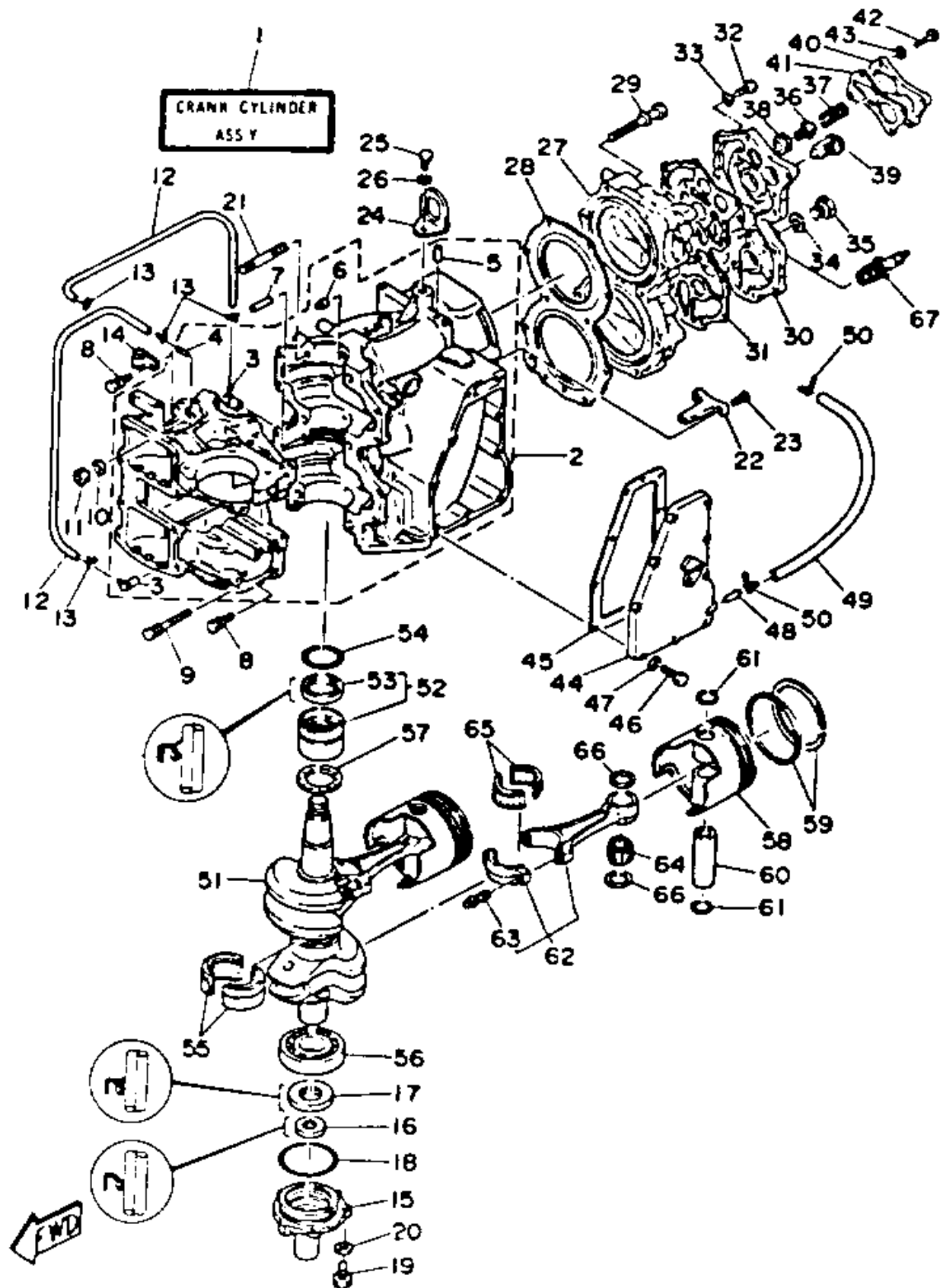


c55elrr_tlrr

CYLINDER CRANKCASE

Ref No.	Part Number	Description	Qty	Remarks
41	663-12414-A0-00	GASKET, COVER	1	
42	97313-06030-00	BOLT	4	
43	92990-06600-00	.WASHER, PLATE	4	
44	663-41113-00-9M	OUTER COVER, EXHAUST	1	
45	663-41114-A0-00	GASKET, EXHAUST OUTER COVER	1	
46	97313-06020-00	BOLT, HEXAGON	9	
47	92990-06600-00	.WASHER, PLATE	9	
48	652-24461-00-00	PIPE, JOINT 4	1	
49	663-24312-01-00	PIPE 2	1	
50	90467-08004-00	CLIP	2	
51	663-11411-01-00	CRANKSHAFT	1	
52	93311-632U1-00	BEARING	1	
53	93102-32M07-00	. OIL SEAL	1	
54	93210-42159-00	.O-RING	1	
55	93311-832U4-00	BEARING	1	
56	93306-206U4-00	BEARING	1	
57	663-11561-00-00	SHIM, CRANK 1	1	
58	688-11631-03-94	PISTON (STD)	2	
58	688-11636-03-00	PISTON (0.50MM O/S)	2	AP
59	688-11603-A0-00	PISTON RING SET (STD)	2	

CONTINUED ON NEXT FRAME >



CYLINDER CRANKCASE

Ref No.	Part Number	Description	Qty	Remarks
59	688-11605-A0-00	PISTON RING SET (0.50MM O/S)	2	AP
60	663-11633-00-00	PIN, PISTON	2	
61	688-11634-00-00	CLIP, PISTON PIN	4	
62	688-11650-03-00	CONNECTING ROD ASSY	2	
63	90109-08M61-00	. BOLT	2	
64	93603-21111-00	PIN, DOWEL	56	
65	93310-730V8-00	BEARING	2	
66	90201-20417-00	WASHER, PLATE	4	
67	NGK-B8HS1-00-00	PLUG, SPARK (NGK B8HS-10)	2	