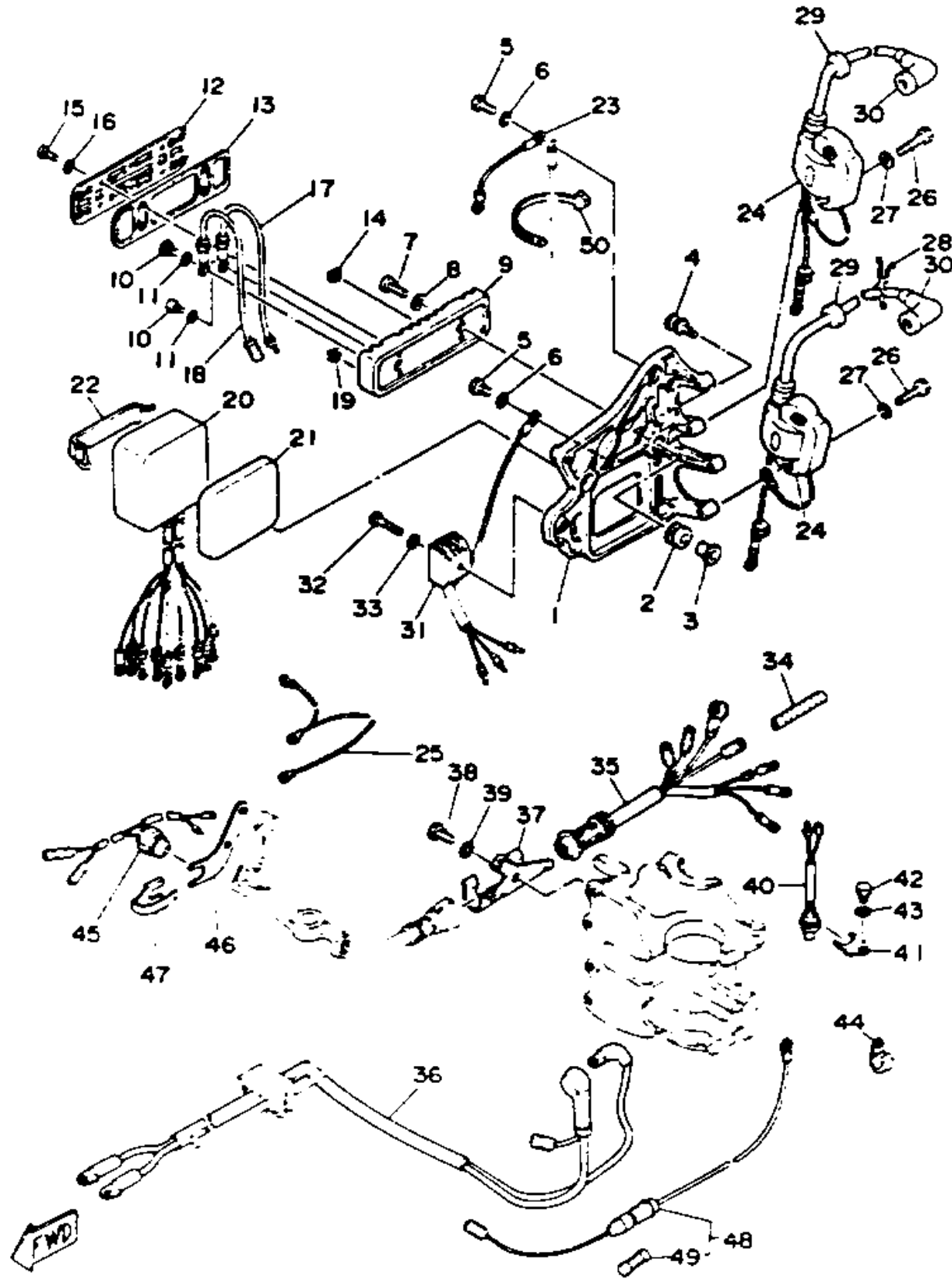


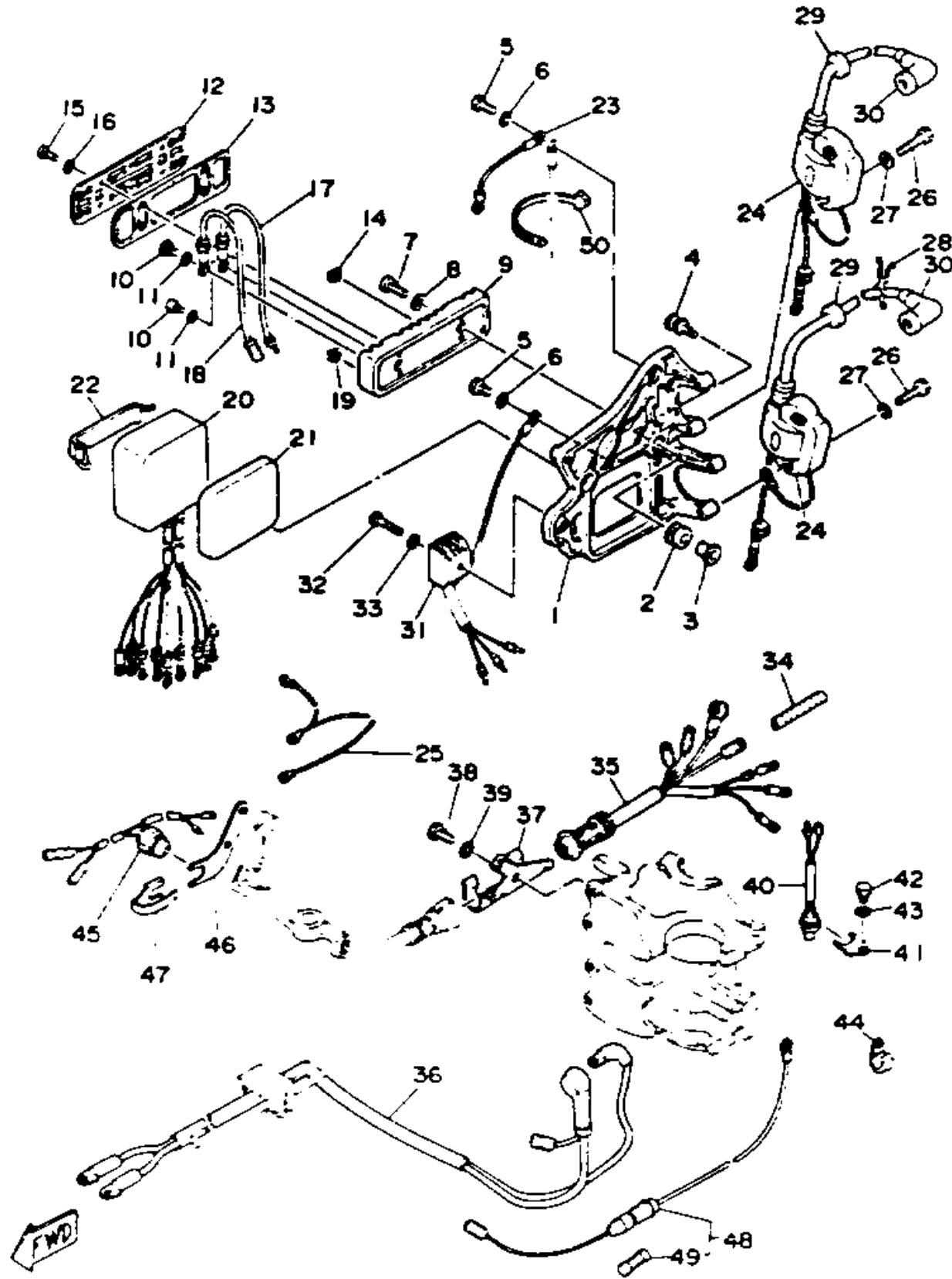
ELECTRIC PARTS



Ref No.	Part Number	Description	Qty	Remarks
1	663-85542-00-94	BRACKET	1	
2	6A0-82317-00-00	DAMPER, IGNITION COIL	3	
3	624-42542-00-00	PIPE	3	
4	90119-06M90-00	BOLT, WITH WASHER	3	
5	97395-06012-00	BOLT	2	
6	92995-06100-00	WASHER, SPRING	2	
7	97985-06218-00	SCREW, WITH WASHER	2	
8	92990-06600-00	.WASHER, PLATE	2	
9	663-81925-01-00	TERMINAL	1	
10	98580-04008-00	.SCREW, PAN HEAD	10	
11	92990-04200-00	WASHER	10	
12	697-81916-01-00	COVER, TERMINAL	1	
13	663-81921-00-00	GASKET, TERMINAL	1	
14	90480-06066-00	GROMMET	1	
15	98580-04020-00	SCREW, PAN HEAD	4	
16	92901-04100-00	WASHER, SPRING	4	
17	663-81315-00-00	LEAD WIRE ASSEMBLY	1	
18	663-81316-00-00	WIRE, LEAD 2	1	
19	663-81922-00-00	GROMMET	1	
20	663-85540-15-00	C.D.I. UNIT ASSEMBLY	1	

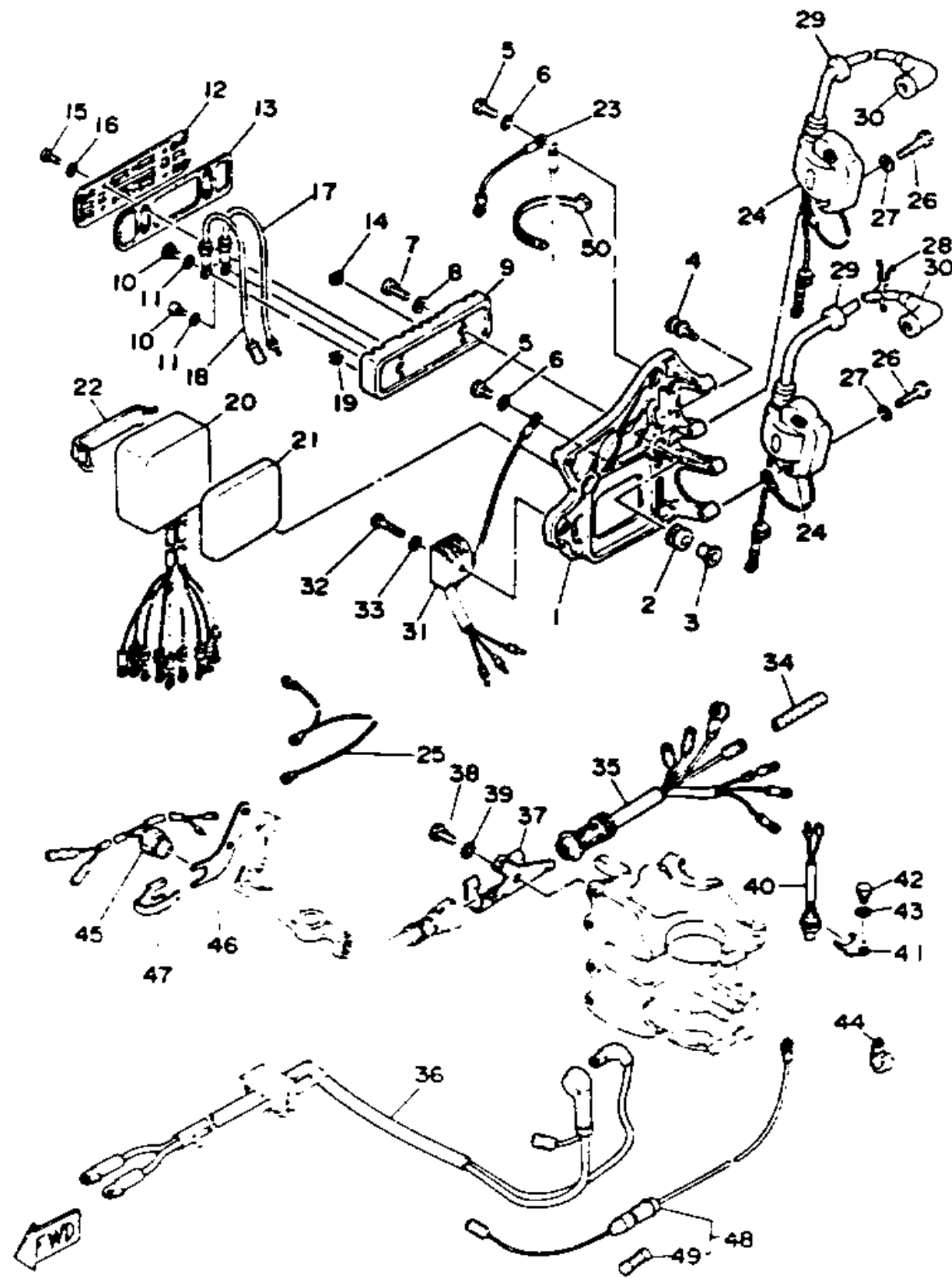
CONTINUED ON NEXT FRAME >

ELECTRIC PARTS



Ref No.	Part Number	Description	Qty	Remarks
21	663-85547-01-00	DAMPER	1	
22	663-82131-01-00	BAND, BATTERY	1	
23	662-82519-00-00	WIRE, EARTH LEAD	1	
24	697-85570-11-00	IGNITION COIL ASSEMBLY	2	
25	697-82519-00-00	WIRE, EARTH LEAD	1	
26	97395-06030-00	BOLT	4	
27	92990-06600-00	.WASHER, PLATE	4	
28	90464-08M02-00	CLAMP	1	
29	90480-25161-00	GROMMET	2	
30	663-82370-01-00	PLUG CAP ASSY	2	
31	664-81970-61-00	RECTIFIER ASSEMBLY	1	
32	98580-05530-00	SCREW, PAN HEAD	1	
33	92990-05100-00	WASHER, SPRING	1	
34	90446-10M02-00	HOSE	3	
35	697-82590-11-00	WIRE HARNESS ASSEMBLY	1	
36	697-82105-12-00	BATTERY CABLE	1	
37	697-82594-00-00	CLAMP	1	
38	97395-08016-00	BOLT	1	
39	92995-08600-00	WASHER	1	
40	688-82560-00-00	THERMO SWITCH ASSY	1	

CONTINUED ON NEXT FRAME >



ELECTRIC PARTS

Ref No.	Part Number	Description	Qty	Remarks
41	663-82588-00-00	PLATE	1	
42	97313-06010-00	BOLT, HEXAGON	1	
43	92995-06100-00	WASHER, SPRING	1	
44	90465-08028-00	CLAMP	1	
45	697-82540-01-00	NEUTRAL SWITCH ASSEMBLY	1	
46	663-82554-01-00	STAY, NEUTRAL SWITCH	1	
47	663-82555-01-00	DAMPER, MAIN SWITCH 1	1	
48	682-82150-10-00	FUSE HOLDER ASSEMBLY	1	
49	682-82151-00-00	. FUSE (12V-20A)	1	
50	90465-13M39-00	CLAMP	1	