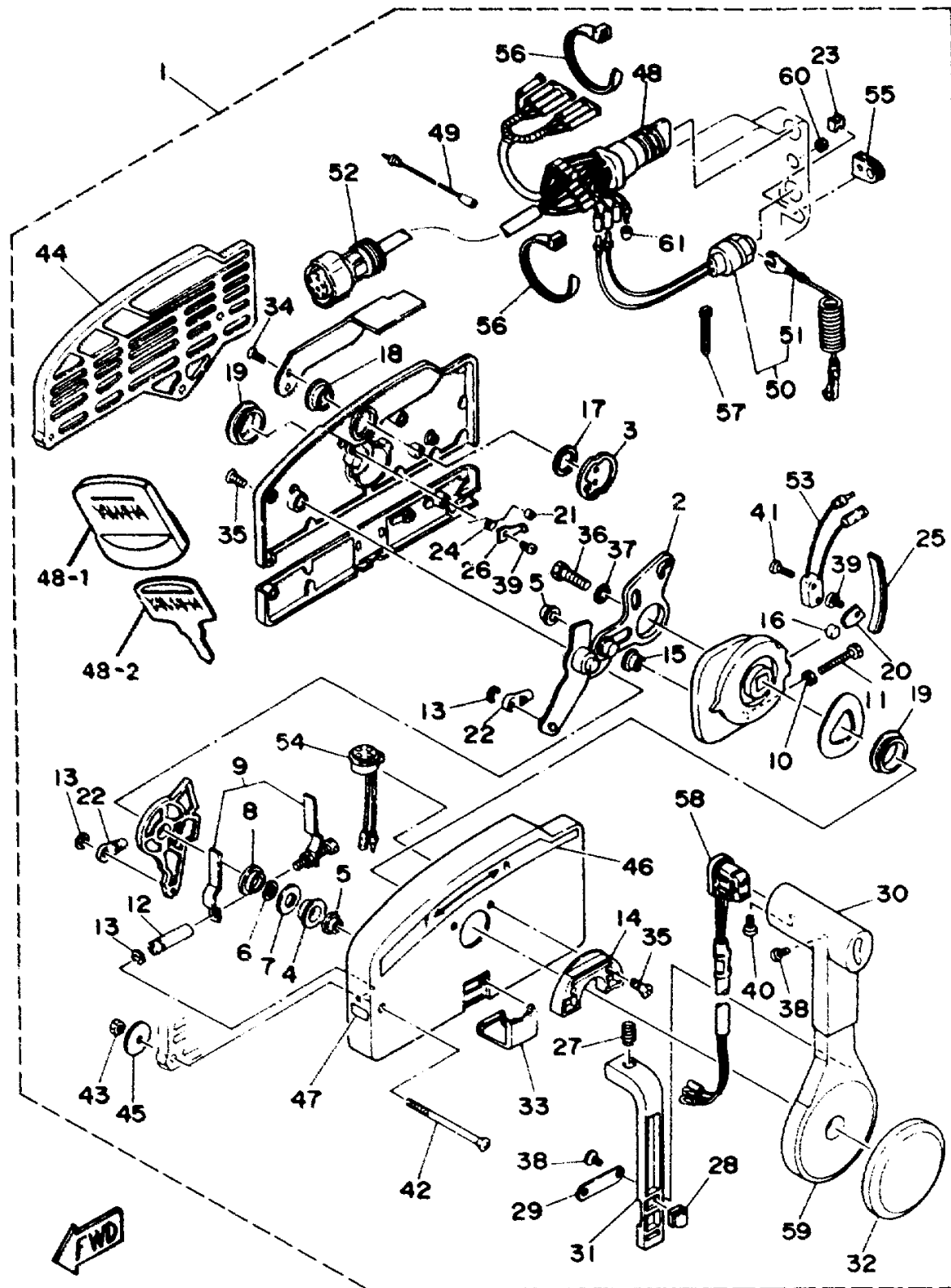


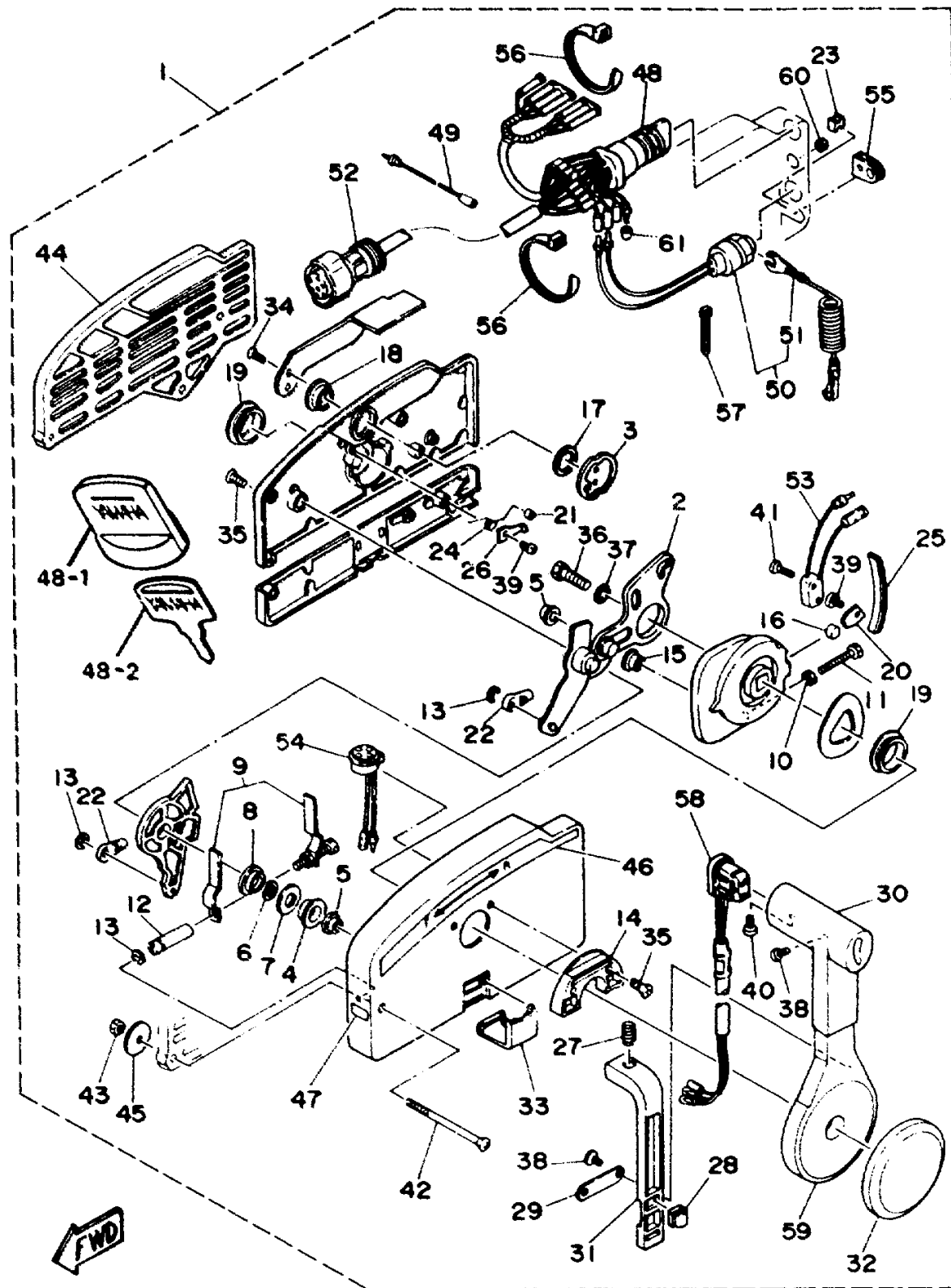
REMOTE CONTROL COMPONENT PARTS



Ref No.	Part Number	Description	Qty	Remarks
1	90890-55957-00	KEY #111	1	UR
1	90890-55958-00	KEY #112	1	UR
1	703-48205-A1-00	REM-CON BOX 90-SP	1	W/ TRIM & TILT SW. (10P)
1	90890-55839-00	KEY #470	1	UR
1	90890-55838-00	KEY #469	1	UR
1	90890-55837-00	KEY #468	1	UR
1	90890-55836-00	KEY #467	1	UR
1	90890-55835-00	KEY #466	1	UR
1	90890-55834-00	KEY #465	1	UR
1	90890-55959-00	KEY #113	1	UR
1	90890-55960-00	KEY #121	1	UR
1	90890-55961-00	KEY #122	1	UR
1	90890-55962-00	KEY #123	1	UR
1	90890-55820-00	KEY #451	1	UR
1	90890-55821-00	KEY #452	1	UR
1	90890-55822-00	KEY #453	1	UR
1	90890-55823-00	KEY #454	1	UR
1	90890-55824-00	KEY #455	1	UR
1	90890-55825-00	KEY #456	1	UR
1	90890-55826-00	KEY #457	1	UR

CONTINUED ON NEXT FRAME >

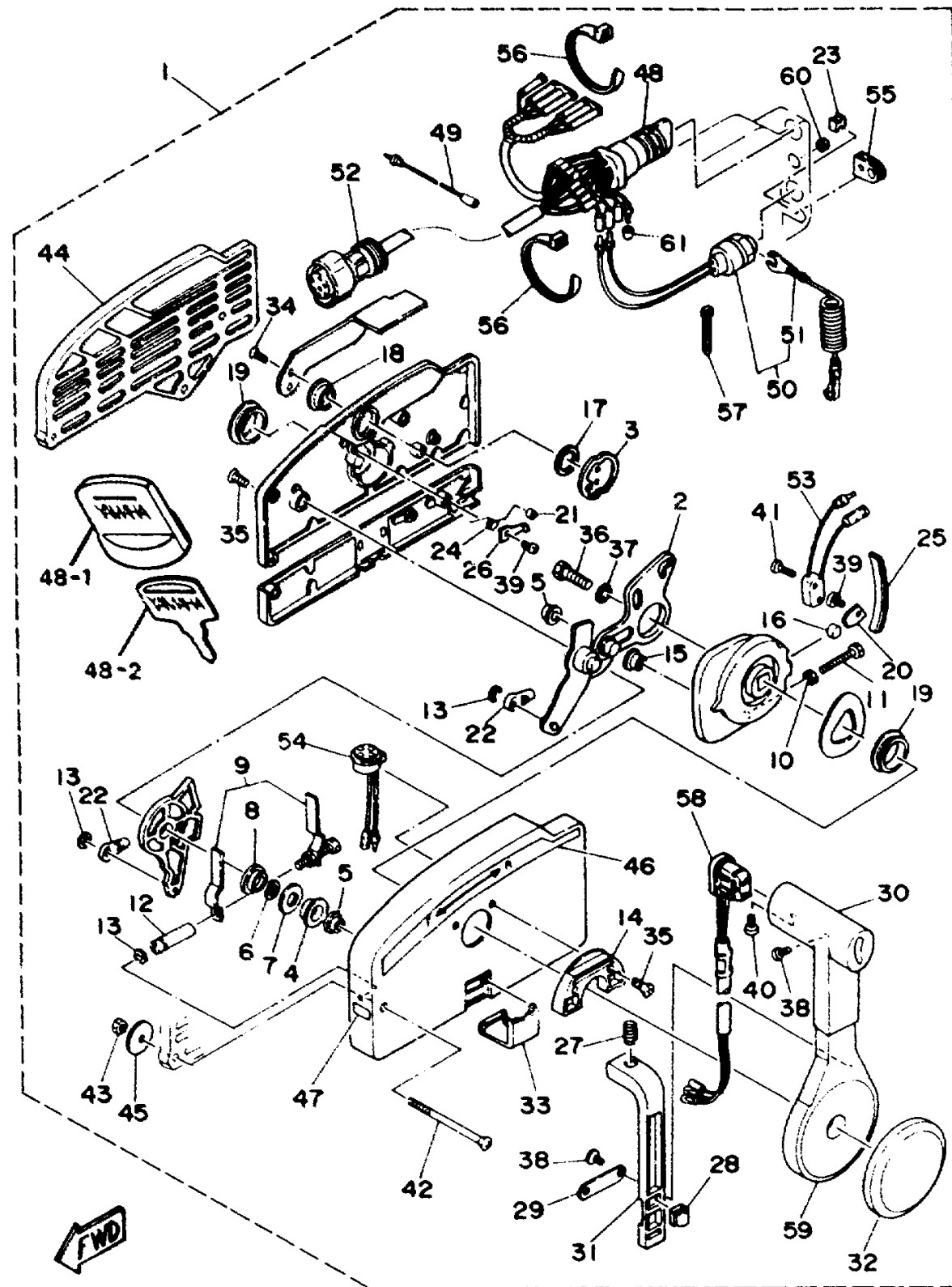
REMOTE CONTROL COMPONENT PARTS



Ref No.	Part Number	Description	Qty	Remarks
1	90890-55827-00	KEY #458	1	UR
1	90890-55828-00	KEY #459	1	UR
1	90890-55829-00	KEY #460	1	UR
1	90890-55830-00	KEY #461	1	UR
1	90890-55831-00	KEY #462	1	UR
1	90890-55832-00	KEY #463	1	UR
1	90890-55833-00	KEY #464	1	UR
2	703-48261-00-00	. ARM, THROTTLE	1	
2	676-82577-00-00	..CAP, KEY	1	
3	703-48153-00-00	. .SHAFT, FREE ACCEL.	1	
4	703-48235-00-00	. .BUSHING	1	
5	703-48273-00-00	. BUSHING	2	
6	703-48197-00-00	. WASHER, WAVE	1	
7	703-48268-00-00	. .SPACER	1	
8	703-48263-00-00	. BUSHING	1	
9	703-48264-00-00	. .FRICTION, THROTTLE	1	
10	95380-05600-00	. NUT	1	
11	97380-05025-00	. .BOLT	1	
12	703-48265-00-00	. .SHAFT, FRICTION	1	
13	93430-06024-00	. .CIRCLIP	3	

CONTINUED ON NEXT FRAME >

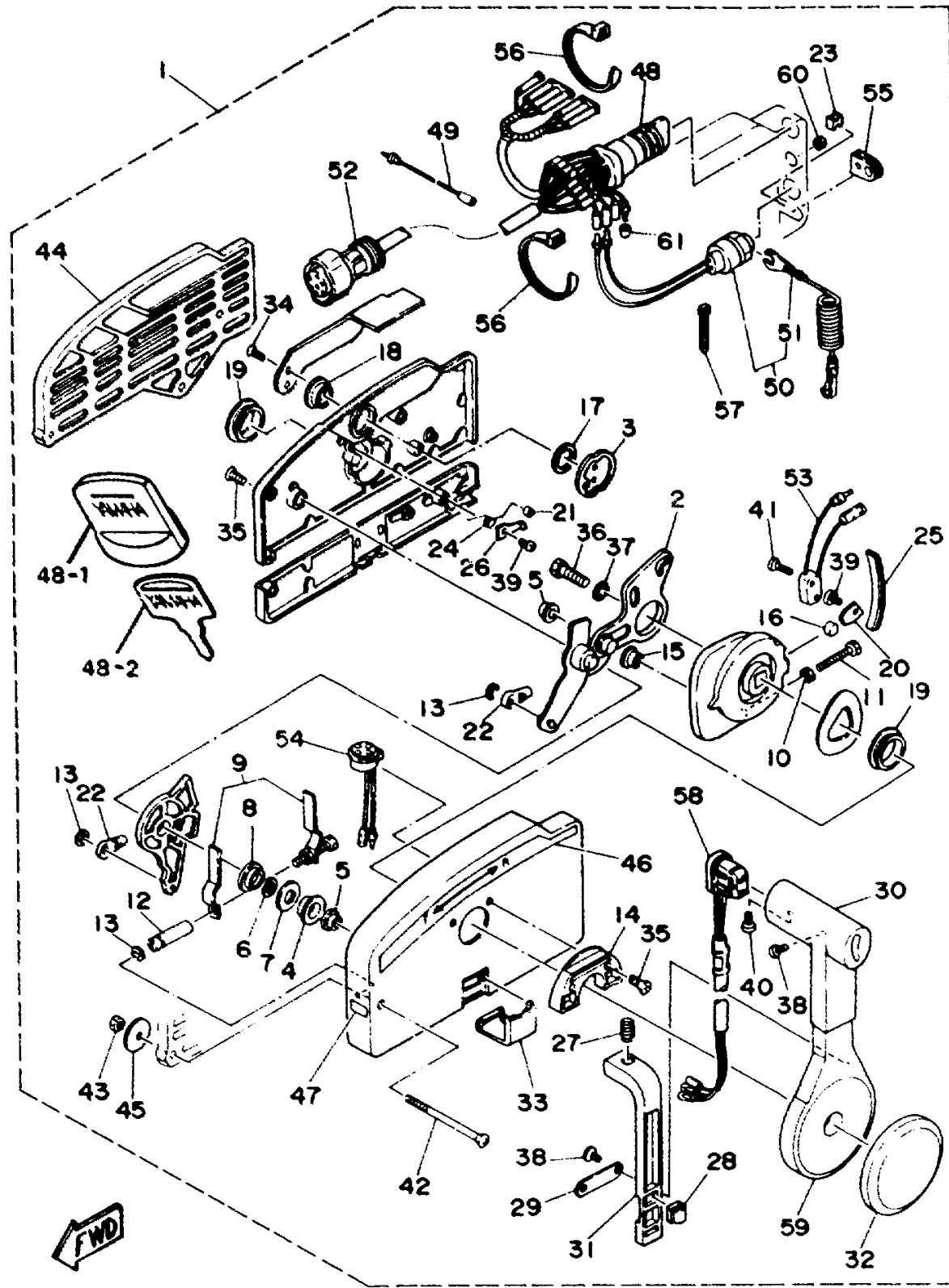
REMOTE CONTROL COMPONENT PARTS



Ref No.	Part Number	Description	Qty	Remarks
14	703-48245-00-00	..PLATE, LOCK	1	
15	703-48252-00-00	..ROLLER, CAM	1	
16	701-48248-00-00	..ROLLER, FREE ACCEL.	1	
17	703-48198-00-00	..WASHER, WAVE	1	
18	703-48243-00-00	..BUSHING	1	
19	703-48236-00-00	..BUSHING 1	2	
20	703-48189-00-00	..RETAINER	1	
21	703-48234-00-00	..ROLLER, DETENT	1	
22	703-48345-01-00	..CABLE END, REMOTE CONTROL 2	2	
23	703-48358-00-00	..ANCHOR, CABLE	1	
24	703-48244-00-00	..SPRING, FREE ACCEL.	1	
25	703-48238-00-00	..SPRING, DETENT	5	
26	703-48246-00-00	..SPACER	1	
27	703-48227-00-00	..SPRING, NEUTRAL LOCK	1	
28	703-82594-00-00	..CLAMP	1	
29	703-48226-00-00	..PLATE, STOPPER	1	
30	703-48222-00-00	..GRIP, CONTROL LEVER	1	
31	703-48223-00-00	..LOCK, NEUTRAL	1	
32	703-48225-00-00	..COVER	1	
33	703-48219-00-00	..COVER, LEAD	1	

CONTINUED ON NEXT FRAME >

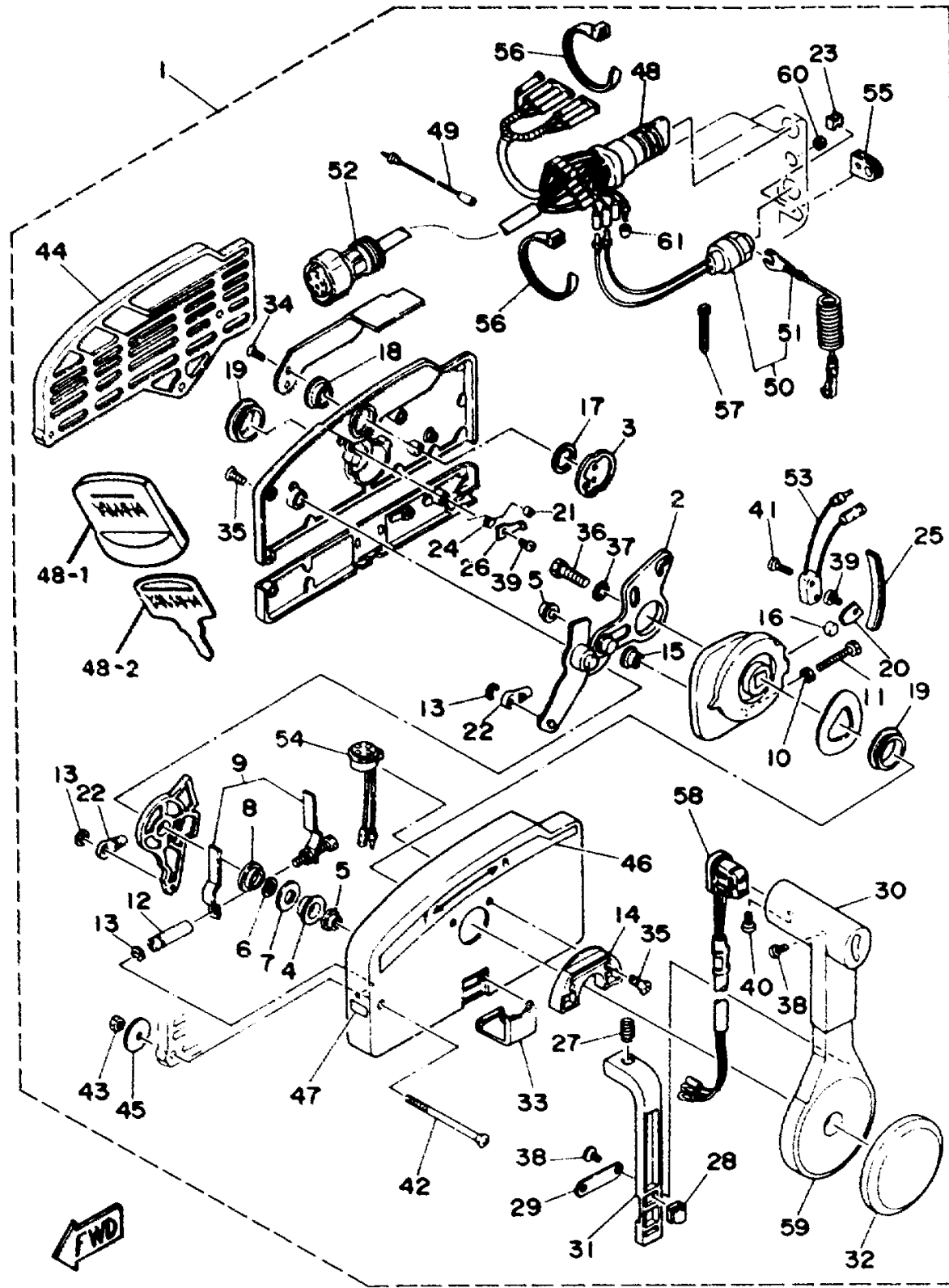
REMOTE CONTROL COMPONENT PARTS



Ref No.	Part Number	Description	Qty	Remarks
34	98780-05012-00	. SCREW, FLAT HEAD	2	
35	98780-05016-00	. .SCREW, FLAT HEAD	7	
36	97395-08030-00	. BOLT	1	
37	92990-08600-00	. .WASHER, PLATE	1	
38	98580-04010-00	. .SCREW, PAN HEAD	3	
39	98580-04006-00	. .SCREW, PAN HEAD	2	
40	98580-05010-00	. .SCREW, PAN HEAD	1	
41	98580-03014-00	. SCREW	2	
42	703-48291-10-00	. .SCREW (M6)	3	
43	95380-06600-00	. NUT, HEXAGON	3	
44	703-48293-10-00	. .SPACER, REMOTE CONTROL	1	
45	701-48287-00-00	. .WASHER	3	
46	703-48215-00-00	. .GRAPHIC	1	
47	702-48217-00-00	. MARK 1	1	
48	703-82510-10-00	. MAIN SWITCH ASSEMBLY	1	
49	703-82531-00-00	. .WIRE, LEAD (L70)	1	
50	688-82575-01-00	. .ENGINE STOP SWITCH ASSY	1	
51	682-82556-00-00	. . .LANYARD, STOP SWITCH	1	
52	688-8258A-20-00	. EXTENSION, WIRE HARNESS (4.9M)	1	L:5M (10P)
53	703-82540-00-00	. .NEUTRAL SWITCH ASSY	1	

CONTINUED ON NEXT FRAME >

REMOTE CONTROL COMPONENT PARTS



Ref No.	Part Number	Description	Qty	Remarks
54	703-83383-02-00	. BUZZER	1	
55	703-48284-00-00	..GROMMET	1	
56	90465-13169-00	. CLAMP	2	
57	80L-26397-00-00	. BAND	1	
58	703-82563-01-00	. TRIM & TILT SWITCH	1	
59	703-48221-00-00	..LEVER, CONTROL	1	
60	703-48285-00-00	. GROMMET 2	1	
61	703-82542-00-00	..CAP	1	