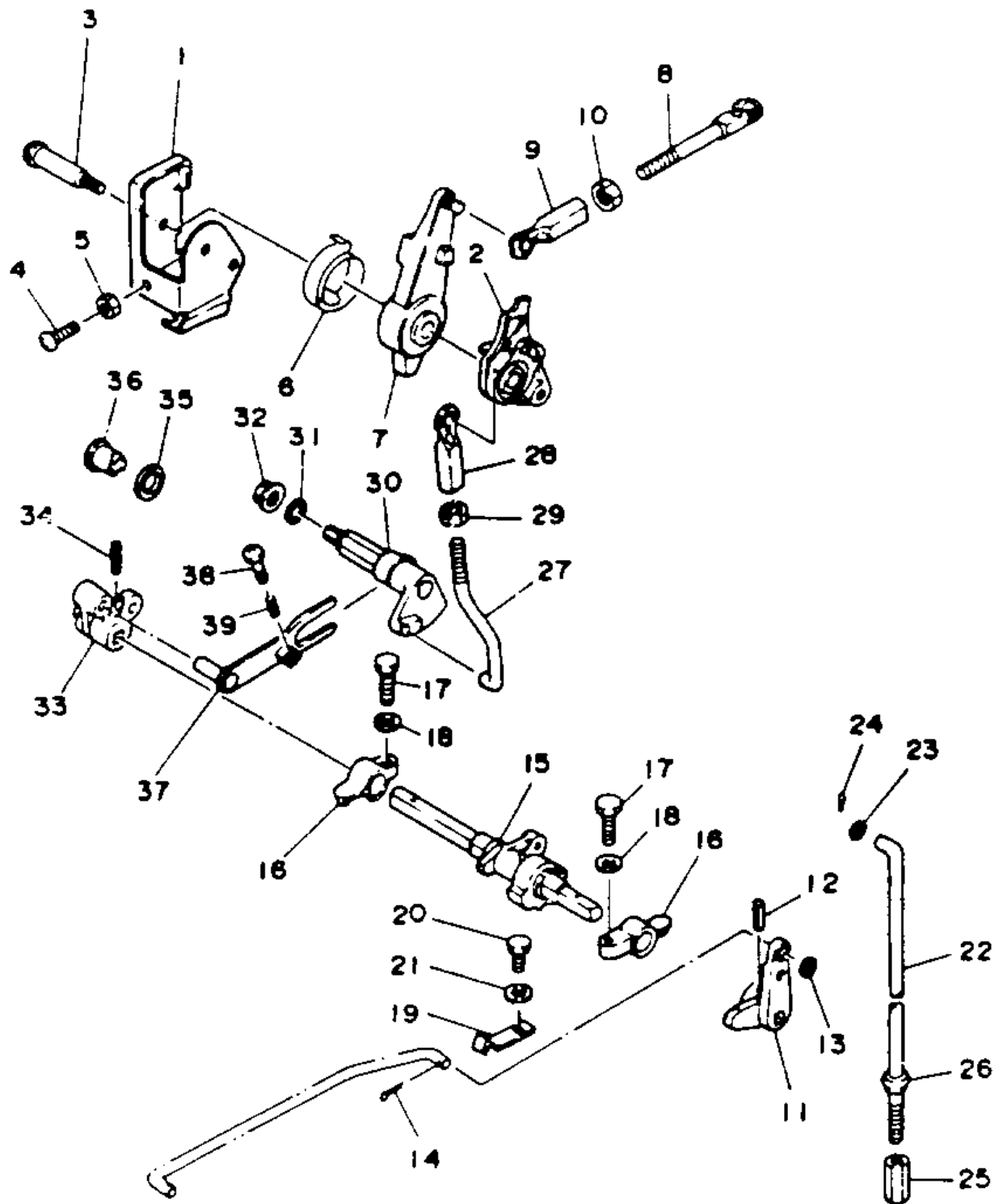


CONTROL ENGINE

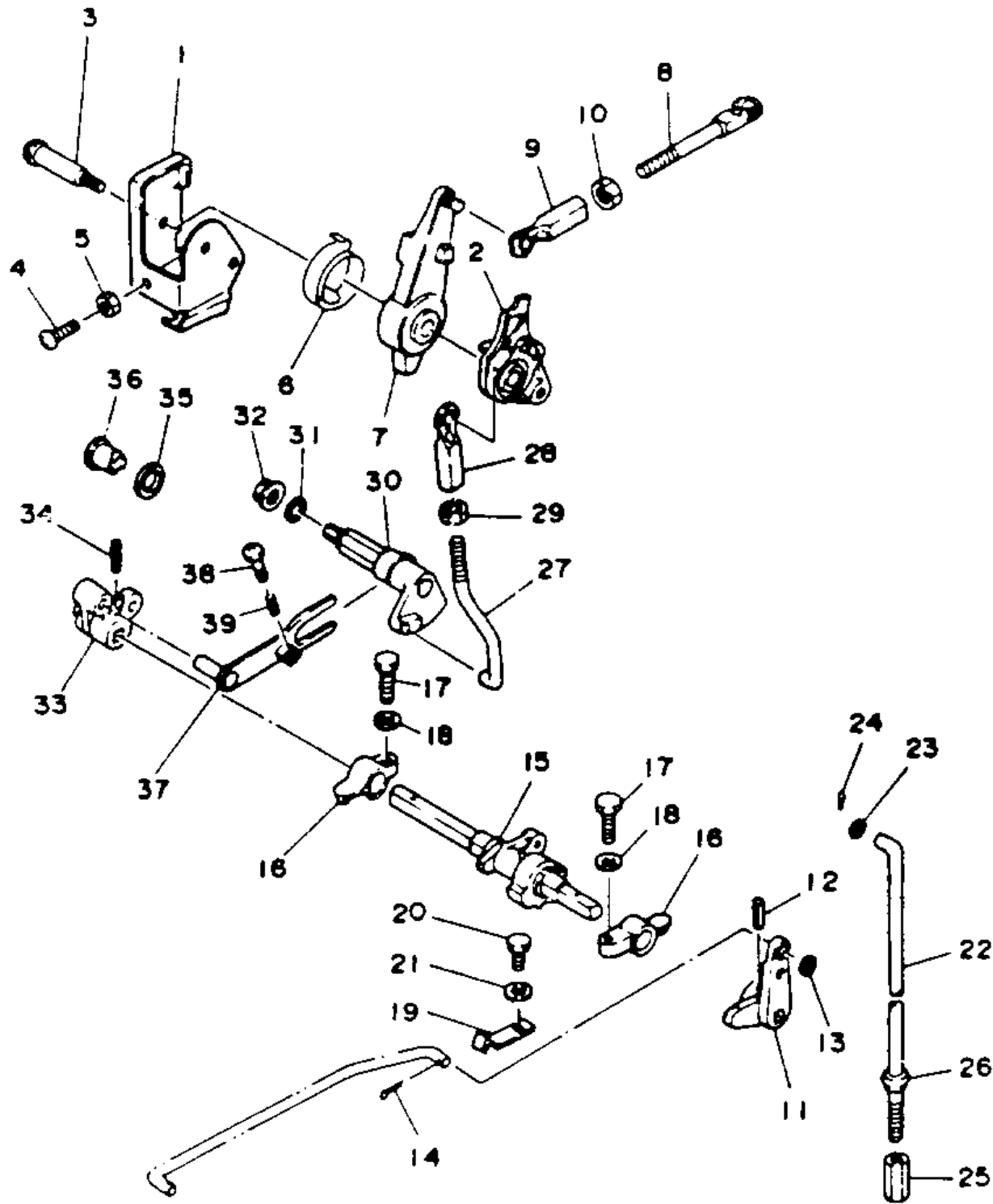
Ref No.	Part Number	Description	Qty	Remarks
1	6J8-14497-00-00	STAY, THROTTLE WIRE	1	
2	6J8-41213-00-00	CAM, ACCEL.	1	
3	90109-06M28-00	BOLT	1	
4	98580-06025-00	SCREW, PAN HEAD	1	
5	95380-06600-00	NUT, HEXAGON	1	
6	6J8-42167-00-00	SPRING 1	1	
7	6J8-41631-02-00	LEVER, MAGNETO CONTROL	1	
8	689-42169-01-00	JOINT	1	
9	682-41237-00-00	JOINT, LINK 2	1	
10	95380-05600-00	.NUT	1	
11	6J8-44123-00-00	ARM, SHIFT ROD	1	
12	91690-30318-00	PIN, SPRING	1	
13	92990-06200-00	WASHER, PLAIN	1	
14	91490-20015-00	PIN. COTTER	1	
15	6J8-44121-00-00	LEVER, SHIFT ROD	1	
16	6G1-41662-01-94	BRACKET 2	2	
17	97313-06020-00	BOLT, HEXAGON	2	
18	92990-06600-00	.WASHER, PLATE	2	
19	6J8-44116-00-00	SPRING	1	
20	97395-06012-00	BOLT	1	

CONTINUED ON NEXT FRAME >



CONTROL ENGINE

Ref No.	Part Number	Description	Qty	Remarks
21	92990-06600-00	.WASHER, PLATE	1	
22	6J8-44143-00-00	ROD, SHIFT	1	
23	92990-05600-00	WASHER, PLATE	1	
24	91490-16010-00	PIN. COTTER	1	
25	90170-06015-00	NUT	1	
26	689-43373-01-00	SEAL, DAMPER	1	
27	6J8-42192-00-00	ROD 2	1	
28	682-41237-00-00	JOINT, LINK 2	1	
29	95380-05600-00	.NUT	1	
30	6J8-42154-01-00	LEVER, THROTTLE CONTROL	1	
31	90202-10024-00	WASHER, PLATE	1	
32	95780-08300-00	NUT, FLANGE	1	
33	6J8-44142-00-00	JOINT	1	
34	91690-30318-00	PIN, SPRING	1	
35	682-42726-00-00	GROMMET	1	
36	90202-12M17-00	WASHER, PLATE	1	
37	6J8-41211-00-00	LINK, ACCEL.	1	
38	98580-04020-00	SCREW, PAN HEAD	1	
39	90501-08M66-00	SPRING, COMPRESSION	1	



30mhs_30ers

C4