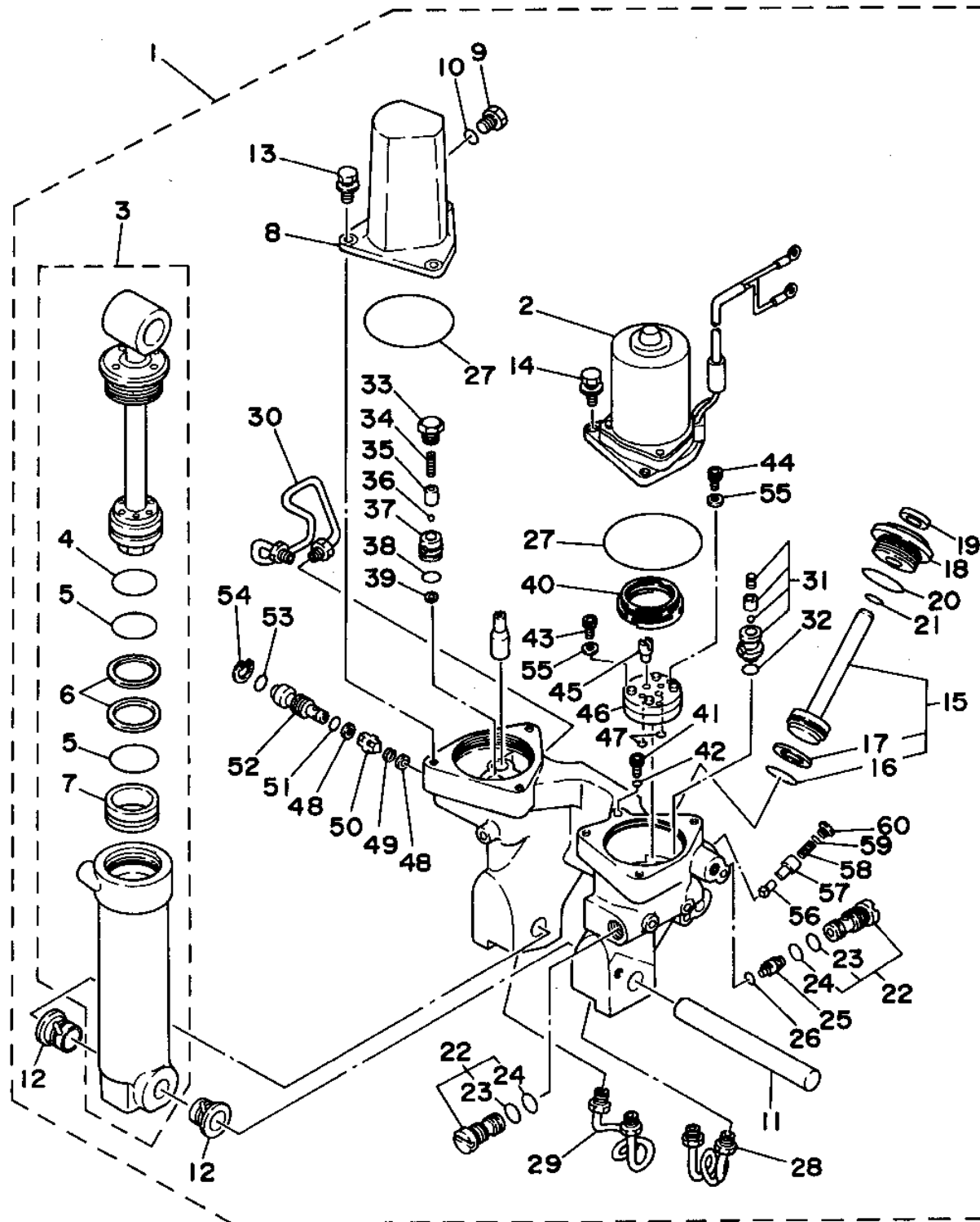


# POWER TRIM TILT ASSEMBLY 2 (40TR)

Ref No.	Part Number	Description	Qty	Remarks
1	6H3-43800-07-4D	POWER TRIM & TILT ASSEMBLY	1	
2	6H1-43880-02-00	..MOTOR ASSY	1	
3	697-4380E-01-00	. TILT CYLINDER ASSEMBLY	1	
4	6E5-43861-00-00	.. O-RING	1	
5	6E5-43862-00-00	.. O-RING	2	
6	6E5-43872-00-00	.. RING, BACK UP	2	
7	6E5-43814-01-00	.. PISTON, FREE	1	
8	6E5-43828-00-00	. BODY, RESERVOIR	1	
9	6E5-43829-00-00	. PLUG, RESERVOIR	1	
10	6E5-43863-00-00	. O-RING	1	
11	6E5-43818-00-00	. PIN, LOWER SHOCK MOUNT	1	
12	90386-18M14-00	. BUSH	2	
13	90119-06M42-00	. BOLT, WITH WASHER	3	
14	90119-06M71-00	. BOLT, WITH WASHER	3	
15	6E5-43820-03-00	. PISTON SUB ASSEMBLY	2	
16	6E5-43864-00-00	.. O-RING	1	
17	6E5-43874-01-00	.. RING, BACK UP	1	
18	6E5-43821-01-00	. SCREW, TRIM CYLINDER END	2	
19	6E5-43822-01-00	. SEAL, TRIM DUST	2	
20	6E5-43862-00-00	. O-RING	2	

CONTINUED ON NEXT FRAME >



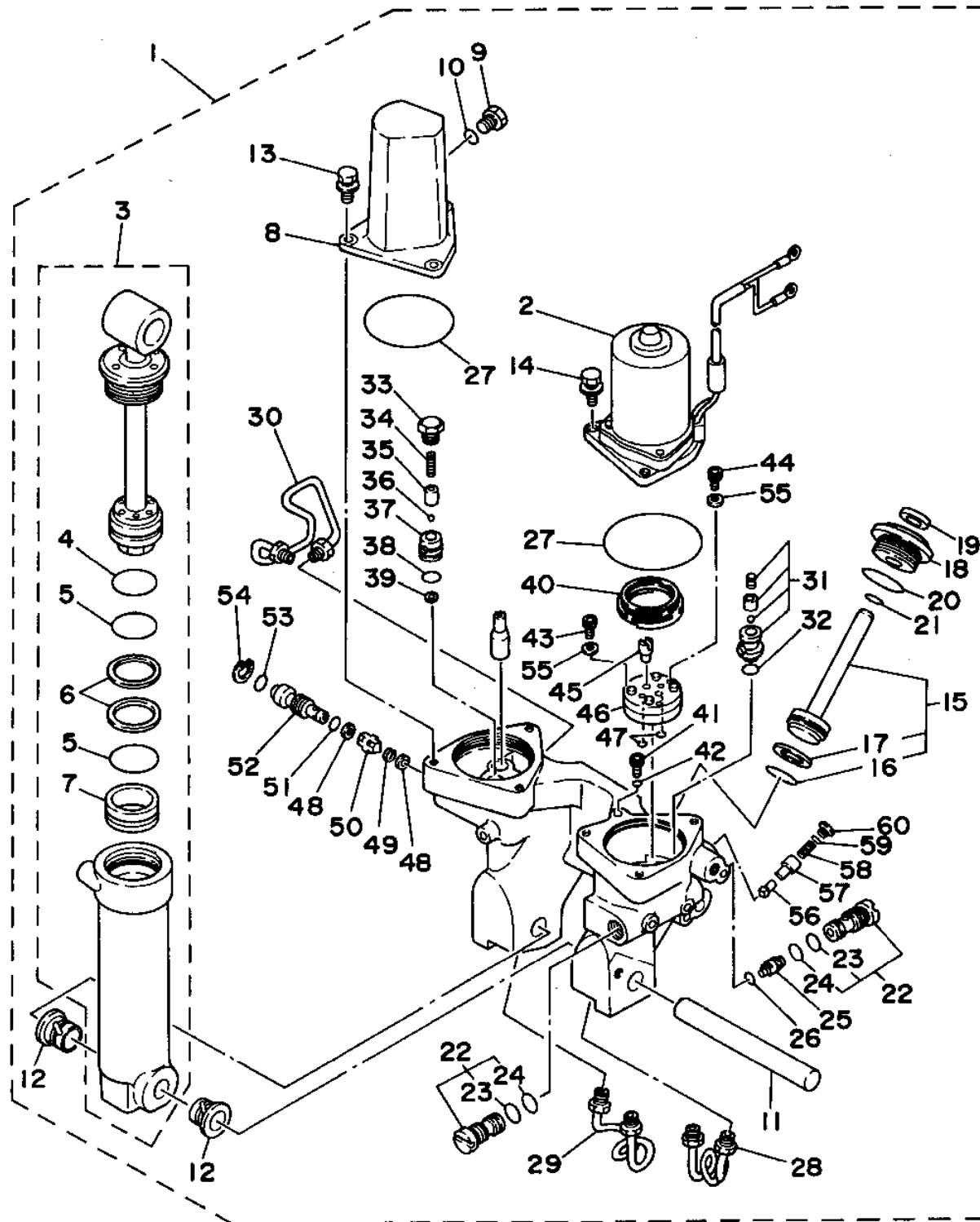
40mhs

D9

# POWER TRIM TILT ASSEMBLY 2 (40TR)

Ref No.	Part Number	Description	Qty	Remarks
21	6E5-43865-00-00	. O-RING	2	
22	6E5-43802-00-00	. VALVE SUB ASSEMBLY	2	
23	6E5-43866-00-00	. . O-RING	1	
24	6E5-43867-00-00	. . O-RING	1	
25	6E5-43841-01-00	. PISTON, SHUTTLE	1	
26	6E5-43868-00-00	. O-RING	1	
27	6E5-43869-00-00	. O-RING	2	
28	6E5-43833-01-00	. PIPE	1	
29	6E5-43834-01-00	. PIPE	1	
30	6E5-43835-01-00	. PIPE	1	
31	6G5-43808-02-00	. SEAT VALVE COMP. 1	1	
32	6E5-43883-00-00	. O-RING	1	
33	6E5-43843-00-00	. SCREW, VALVE LOCK	1	
34	6H3-43855-00-00	. SPRING, UP RELIEF	1	
35	6E5-43859-00-00	. PIN, VALVE SUPPORT	1	
36	6E5-43877-01-00	. BALL	1	
37	6E5-43895-00-00	. O-RING	1	
38	6E5-43896-00-00	. . .O-RING	1	
39	6E5-43816-10-00	. FILTER 1	1	
40	6E5-43817-10-00	. FILTER 2	1	

CONTINUED ON NEXT FRAME >

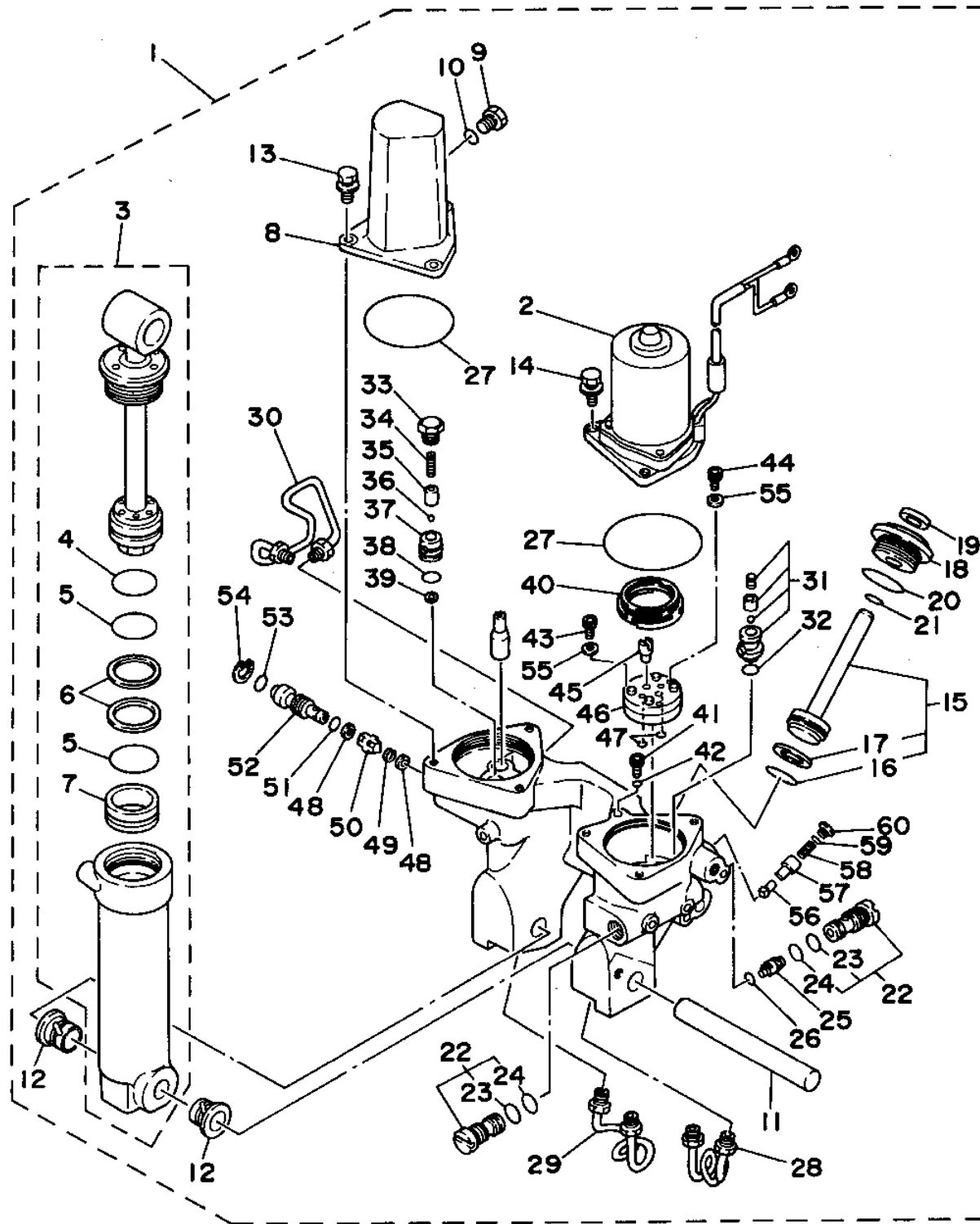


40mhs

D10

# POWER TRIM TILT ASSEMBLY 2 (40TR)

Ref No.	Part Number	Description	Qty	Remarks
41	90109-06M21-00	. BOLT	1	
42	6E5-43897-00-00	. O-RING	1	
43	6E5-43878-01-00	. BOLT, SOCKET	2	
44	6E5-43888-01-00	. BOLT, SOCKET	1	
45	6E5-43831-00-00	. CONNECTOR, SHAFT	1	
46	6E5-43830-00-00	. GEAR PUMP ASSEMBLY	1	
47	93210-07M78-00	. O-RING	2	
48	6E5-43847-00-00	. SEAT, MANUAL VALVE	2	
49	6E5-43854-01-00	. SPRING, MANUAL RELEASE	1	
50	6E5-4382A-00-00	. ADAPTER 1	1	
51	93210-10M74-00	. O-RING	1	
52	6E5-43845-01-00	. SCREW, MANUAL RELEASE	1	
53	93210-18M75-00	. O-RING	1	
54	6H1-43875-00-00	. RING, SNAP	1	
55	90201-05M00-00	. WASHER, PLATE	3	
56	6E5-4381A-00-00	. SHAFT	1	
57	6E5-43849-01-00	. PIN, VALVE SUPPORT	1	
58	6E5-43824-01-00	. SPRING, COMPRESSION	1	
59	93210-06M77-00	. O-RING	1	
60	6E5-43842-00-00	. SCREW, VALVE SEAT	1	



40mhs

D11