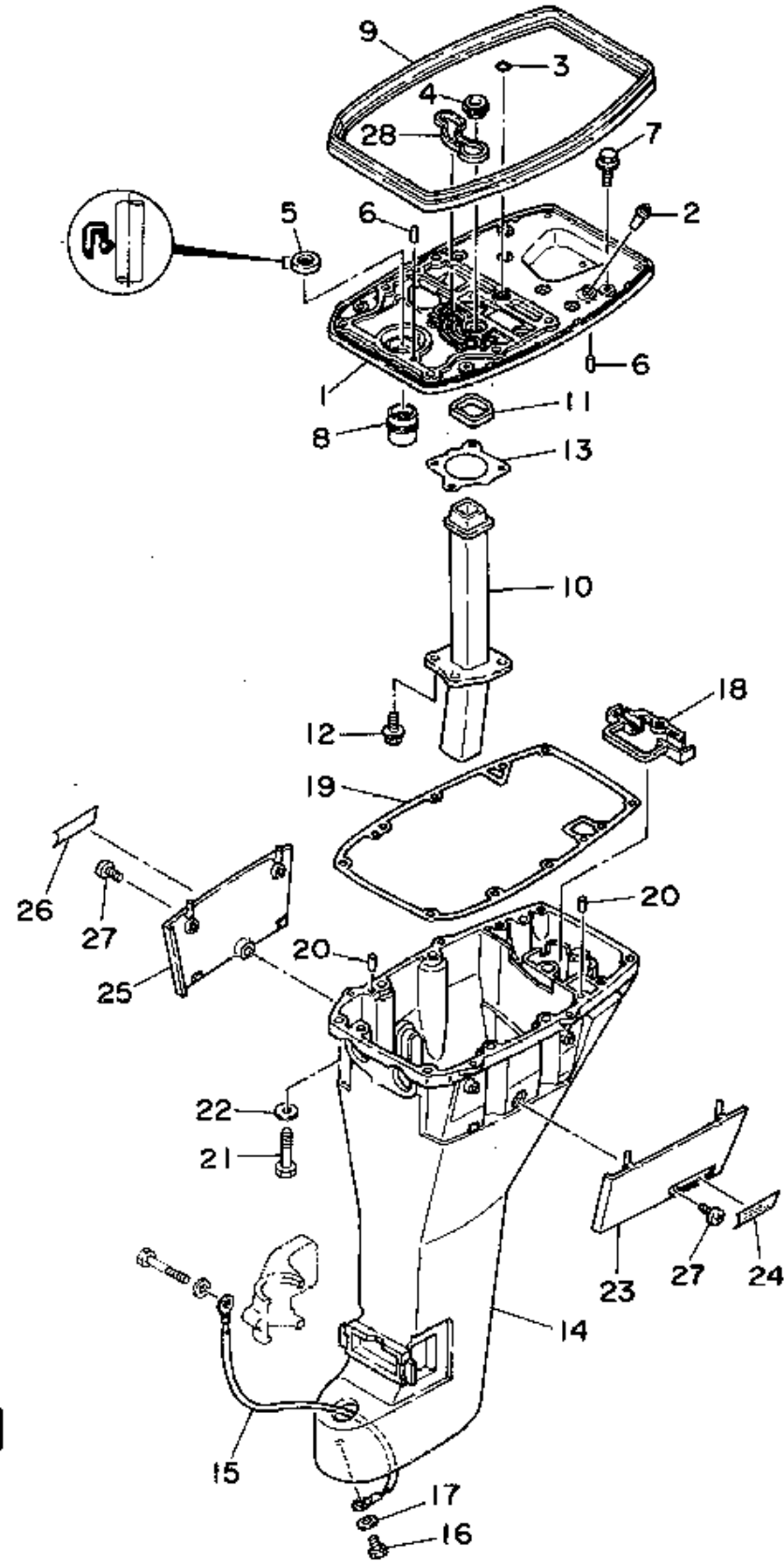
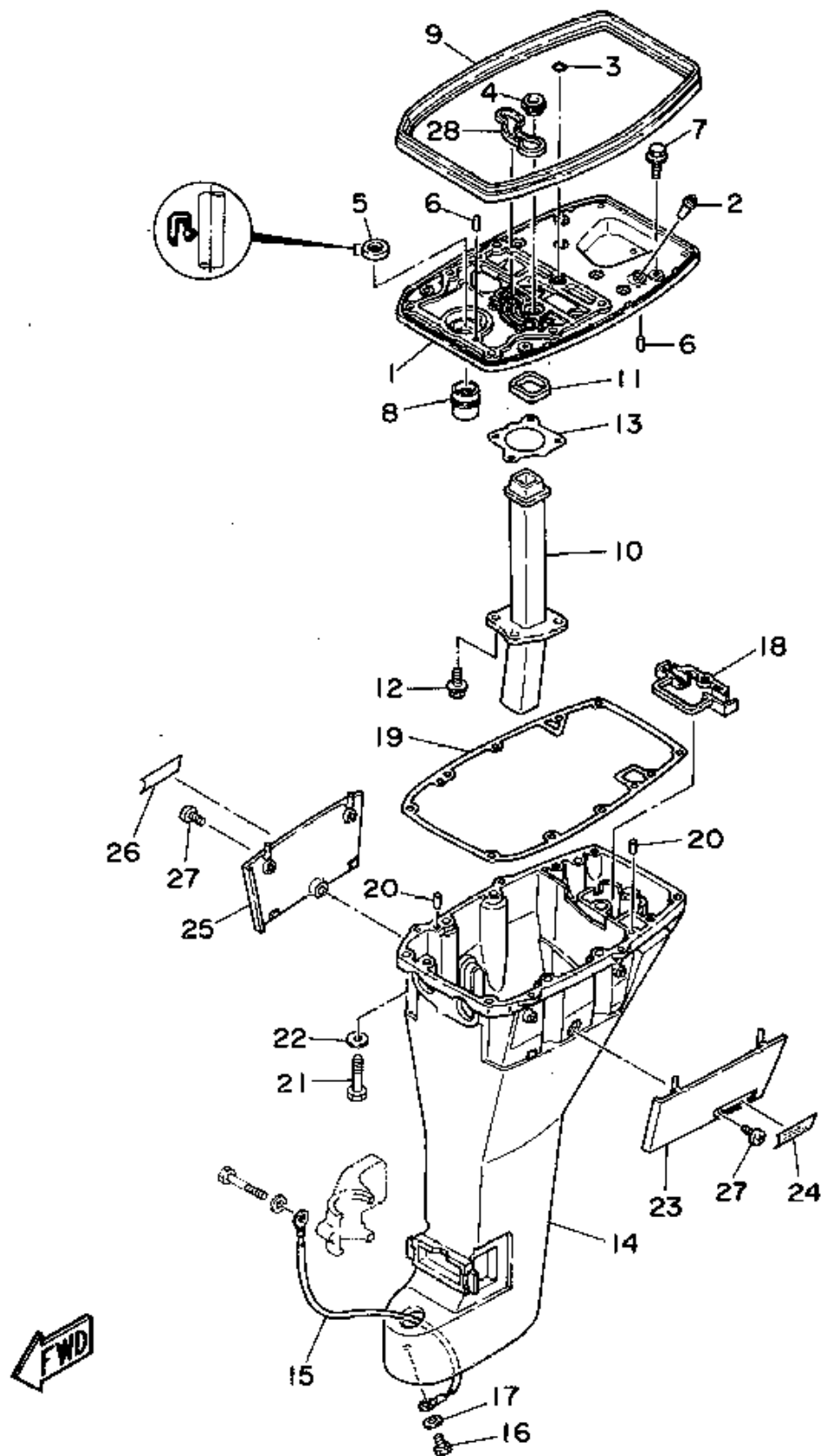


# UPPER CASING

Ref No.	Part Number	Description	Qty	Remarks
1	6G8-41137-03-94	GUIDE, EXHAUST	1	
2	6E5-24377-00-00	PIPE, JOINT 2	1	
3	93210-08M60-00	.O-RING	1	
4	6G8-44367-00-00	DAMPER, WATER SEAL	1	
5	93101-13M27-00	.OIL SEAL	1	
6	93606-12019-00	PIN, DOWEL	2	
7	97595-06520-00	BOLT, WITH WASHER	2	
8	6G8-45135-00-00	PIPE	1	
9	6G8-42716-00-00	RUBBER, SEAL 1	1	
10	6G8-41131-01-00	MANIFOLD, EXT. 1	1	
11	6G8-41138-00-00	SEAL, EXT. 1	1	
12	90105-06M33-00	BOLT, FLANGE	4	
13	6G8-41133-A0-00	.GASKET, EXHAUST MANIFOLD 1	1	
14	6G9-45111-02-4D	CASING, UPPER	1	UR SHORT
14	6G8-45111-12-4D	CASING, UPPER	1	UR LONG
15	6G8-82149-00-00	WIRE, LEAD 3	1	
16	97095-06012-00	BOLT	1	
17	92990-06600-00	WASHER, PLATE	1	
18	6G8-45151-00-00	COVER, UPPER CASING	1	
19	6G8-45113-A0-00	GASKET, UPPER CASING	1	

CONTINUED ON NEXT FRAME >





## UPPER CASING

Ref No.	Part Number	Description	Qty	Remarks
20	93606-12019-00	PIN, DOWEL	2	
21	97395-08040-00	BOLT	6	
22	92990-08600-00	WASHER, PLATE	6	
23	6G8-42741-00-4D	APRON	1	
24	6G8-42791-00-00	MARK 1	1	
25	6G8-42771-00-4D	APRON	1	
26	6G8-42792-00-00	MARK	1	
27	90157-06M04-00	SCREW, PAN HEAD	2	
28	6G8-11355-00-00	SEAL, CYLINDER 1	1	