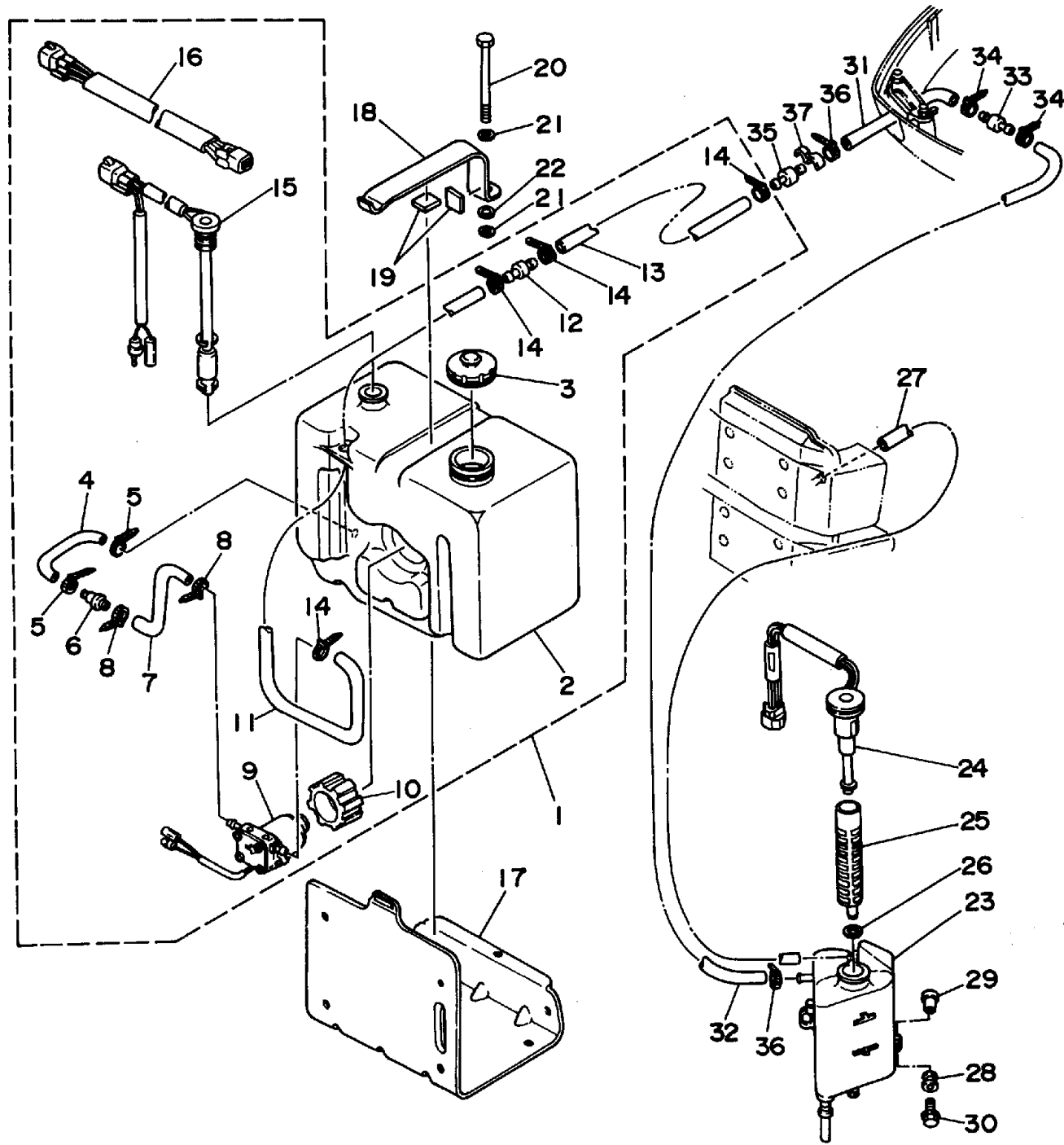


# OIL TANK

Ref No.	Part Number	Description	Qty	Remarks
1	6E5-21708-06-00	OIL TANK SUB-ASSEMBLY	150	/200
1	6E5-21708-06-00	OIL TANK SUB-ASSEMBLY	150	/200
1	6N7-21708-03-00	OIL TANK SUB-ASSEMBLY	1	UR ULTRA LONG 150/ 175/200
1	61A-21708-03-00	OIL TANK SUB-ASSY	1	UR L150/ L200
2	6E5-21733-02-00	.SUB TANK, OIL (10.5L)	1	
3	6E5-21770-03-00	.OIL TANK CAP ASSY	1	
4	6E5-24322-00-00	.PIPE 11	1	
5	90465-11M10-00	.CLAMP	2	
6	646-24251-02-00	.STRAINER 1	1	
7	6E5-24319-01-00	.PIPE, OIL	1	
8	90465-11M10-00	.CLAMP	2	
9	6E5-81900-01-00	.OIL FEED PUMP ASSY	1	
10	6E5-81922-00-00	.GROMMET	1	
11	6E5-24321-01-00	.PIPE 10	1	
12	6E5-24379-00-00	.PIPE, JOINT 4	1	
13	90445-11M81-00	.HOSE (L3000)	1	UR 150/ 175/200
13	90445-11M26-00	.HOSE (L6500)	1	UR L150/ L200
13	90445-11M00-00	.HOSE (L8000)	1	UR L150/ L200
14	90465-11M10-00	.CLAMP	4	
15	6E5-85720-03-00	.OIL LEVEL GAUGE ASSEMBLY	1	

CONTINUED ON NEXT FRAME >



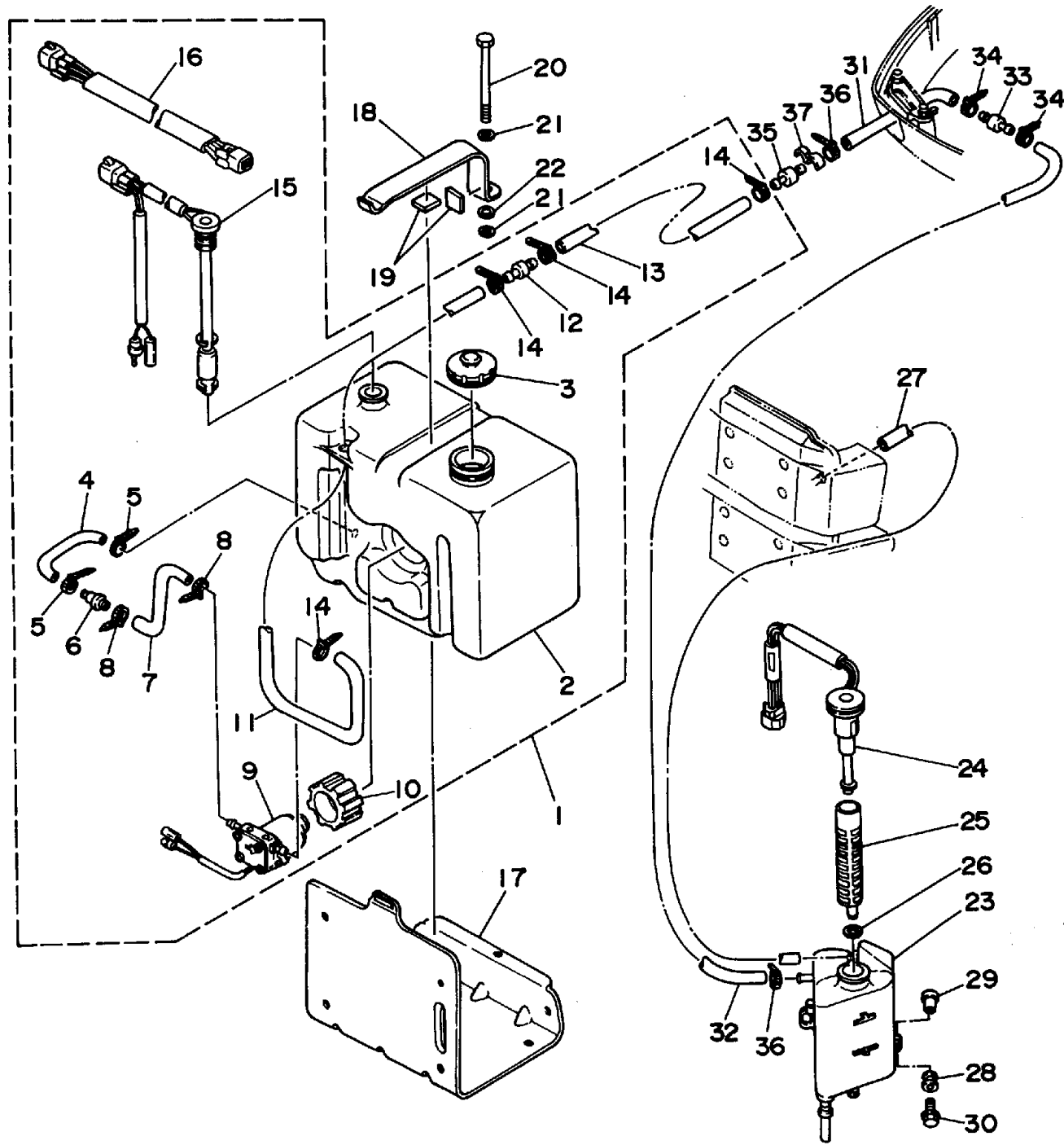


# OIL TANK

Ref No.	Part Number	Description	Qty	Remarks
16	6R3-82553-50-00	EXTENSION, WIRE LEAD (L=5.0M)	1	UR ULTRA LONG 150/175/200
16	6R3-82553-80-00	EXTENSION, WIRE LEAD (L=8.0M)	1	UR L150/ L200
16	6R3-82553-30-00	EXTENSION, WIRE LEAD (L=3.0M)	1	UR 150/ 175/200
17	6E5-21734-01-33	HOLDER, OIL SUB TANK	1	
18	6E5-21798-01-33	BRACKET, DAMPER	1	
19	6E5-21746-00-00	DAMPER	2	
20	97380-06100-00	BOLT, HEXAGON (91201-06100)	1	
21	92990-06600-00	. WASHER, PLATE	2	
22	95604-06200-00	. NUT, U FLANGE	1	
23	6E5-21750-05-00	OIL TANK ASSY	1	
24	6R3-85730-02-00	OIL LEVEL GAUGE ASSY	1	
25	6E5-13411-00-00	STRAINER, OIL	1	
26	6E5-13414-00-00	GASKET, STRAINER COVER	1	
27	90445-05M02-00	HOSE (L380)	1	
28	6A0-82317-00-00	DAMPER, IGNITION COIL	3	
29	624-42542-00-00	PIPE	3	
30	90119-06M65-00	BOLT, WITH WASHER	3	
31	6R3-24323-10-00	PIPE 12	1	
32	90445-12M05-00	HOSE	1	ULTRA LONG
32	90445-12M02-00	HOSE (LONG)	1	LONG

CONTINUED ON NEXT FRAME >





# OIL TANK

Ref No.	Part Number	Description	Qty	Remarks
33	6E5-24379-00-00	. PIPE, JOINT 4	1	
34	90465-11M10-00	..CLAMP	2	
35	6E5-24379-00-00	. PIPE, JOINT 4	1	
36	90465-11M10-00	..CLAMP	2	
37	90464-13M34-00	CLAMP	1	
38	656-W2810-02-00	TOOL KIT	1	

