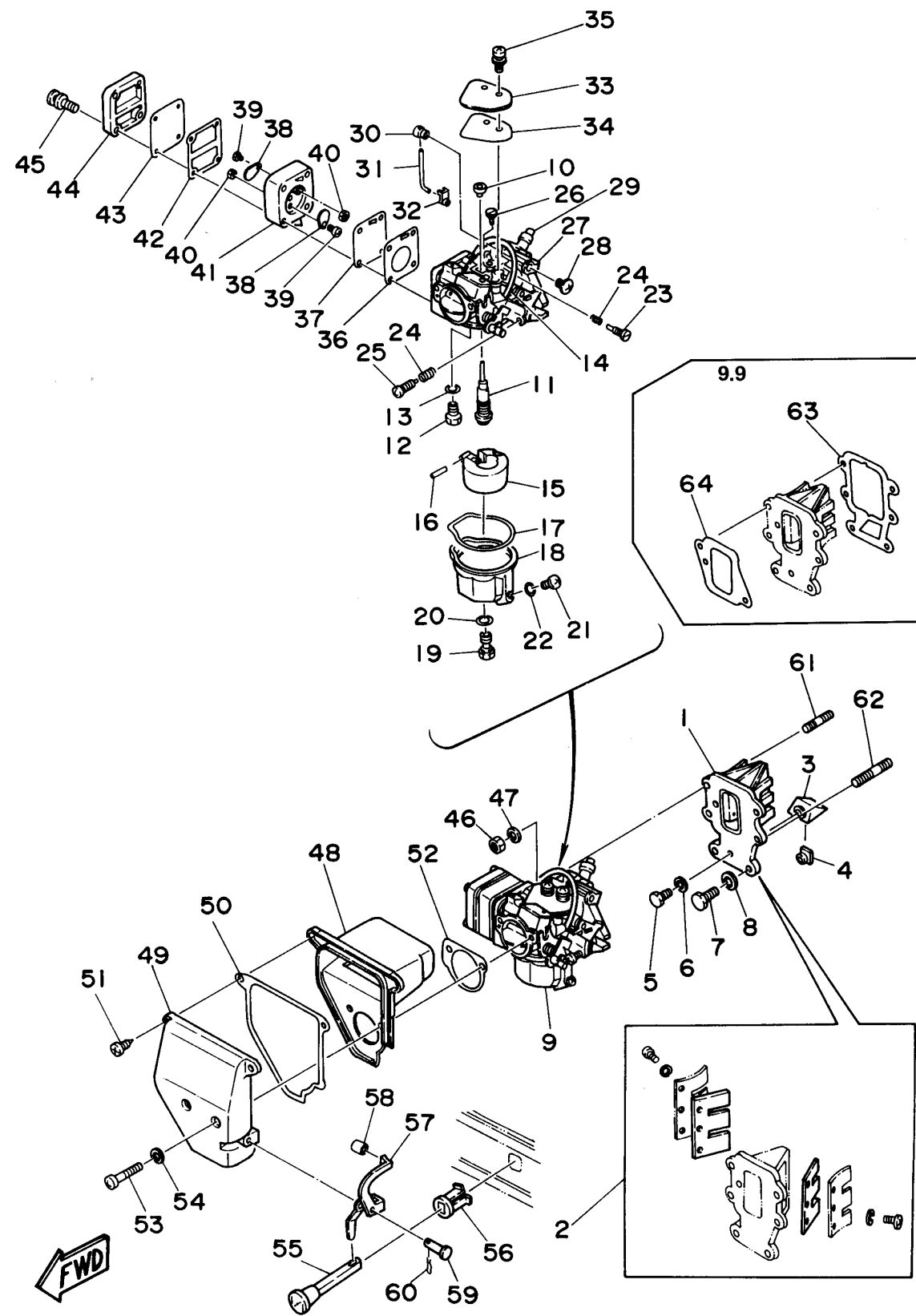


INTAKE

Ref No.	Part Number	Description	Qty	Remarks
1	6E7-13610-71-00	REED VALVE ASSEMBLY	1	UR 9.9
1	6E8-13610-01-00	REED VALVE ASSEMBLY	1	UR 15
2	6E7-W0004-70-00	. REED SET	1	UR 9.9
2	682-W0004-00-00	. .REED SET	1	UR 15
3	6E7-13625-00-00	SPACER, REED VALVE	1	
4	6E7-13588-01-00	NUT	1	
5	97013-06012-00	BOLT	1	
6	92990-06600-00	.WASHER, PLATE	1	
7	97095-06016-00	BOLT	4	
8	92990-06600-00	.WASHER, PLATE	4	
9	6E7-14301-74-00	CARBURETOR ASSEMBLY 1	1	UR 9.9
9	6E8-14301-05-00	CARBURETOR ASSEMBLY 1	1	UR 15
10	6E7-14342-28-00	. JET, PILOT (# 56)	1	UR 15
10	647-14342-26-00	. JET, PILOT (# 52)	1	UR 9.9
11	6E7-14341-70-00	. NOZZLE, MAIN	1	UR 9.9
11	6E8-14341-00-00	. NOZZLE, MAIN	1	UR 15
12	6E8-14390-12-00	. NEEDLE VALVE ASSEMBLY	1	UR 9.9
12	61J-14390-00-00	. NEEDLE VALVE ASSEMBLY	1	UR 15
13	367-14195-00-00	. GASKET	1	
14	367-14396-00-00	. PIPE	1	

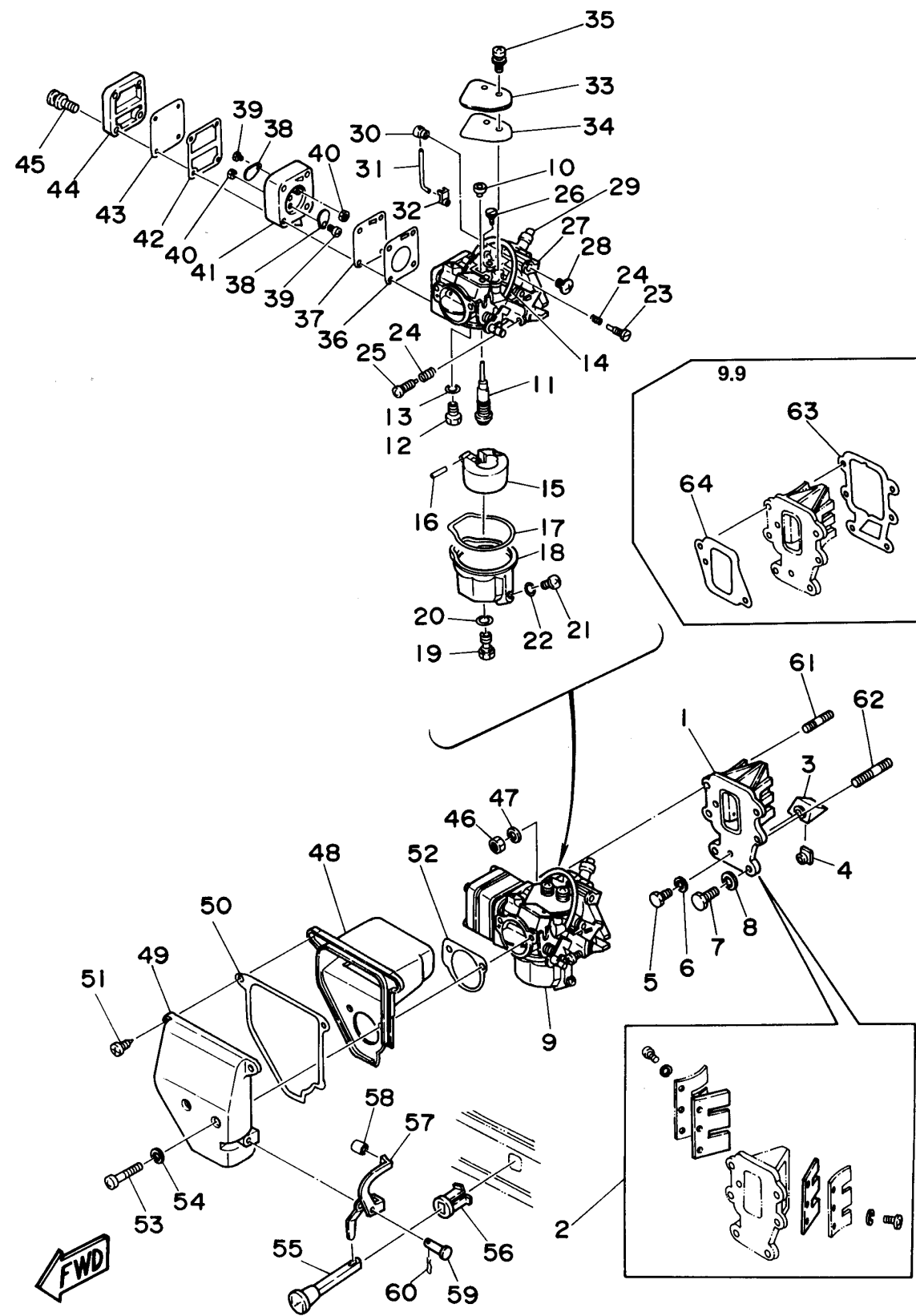
CONTINUED ON NEXT FRAME >



INTAKE

Ref No.	Part Number	Description	Qty	Remarks
15	6E7-14385-00-00	. FLOAT	1	
16	647-14386-10-00	. PIN, FLOAT	1	
17	677-14384-01-00	. GASKET, FLOAT CHAMBER	1	
18	6E7-14381-00-00	. BODY, FLOAT CHAMBER	1	
19	677-14343-52-00	. JET, MAIN (#104)	1	UR 9.9
19	677-14343-68-00	. JET, MAIN (#136)	1	UR 15
20	1J2-14398-00-00	. GASKET	1	
21	97890-04005-00	. SCREW, PAN HEAD	1	
22	655-14398-00-00	. GASKET	1	
23	647-14323-00-00	. SCREW, AIR ADJUSTING	1	
24	646-14212-01-00	. SPRING, PILOT ADJUSTING	2	
25	664-14321-01-00	. SCREW, THROTTLE	1	
26	647-14326-00-00	. SCREW, GUIDE	1	
27	682-41210-00-00	. ACCEL. ARM ASSEMBLY	1	
28	677-14327-01-00	. SCREW	1	
29	682-41291-00-00	. BUSHING	1	
30	677-41226-00-00	. END, THROTTLE LEVER	1	
31	682-41219-00-00	. ROD	1	
32	661-41262-02-00	. JOINT, CHOKE LEVER	1	
33	6E7-14157-00-00	. COVER, MIXING	1	

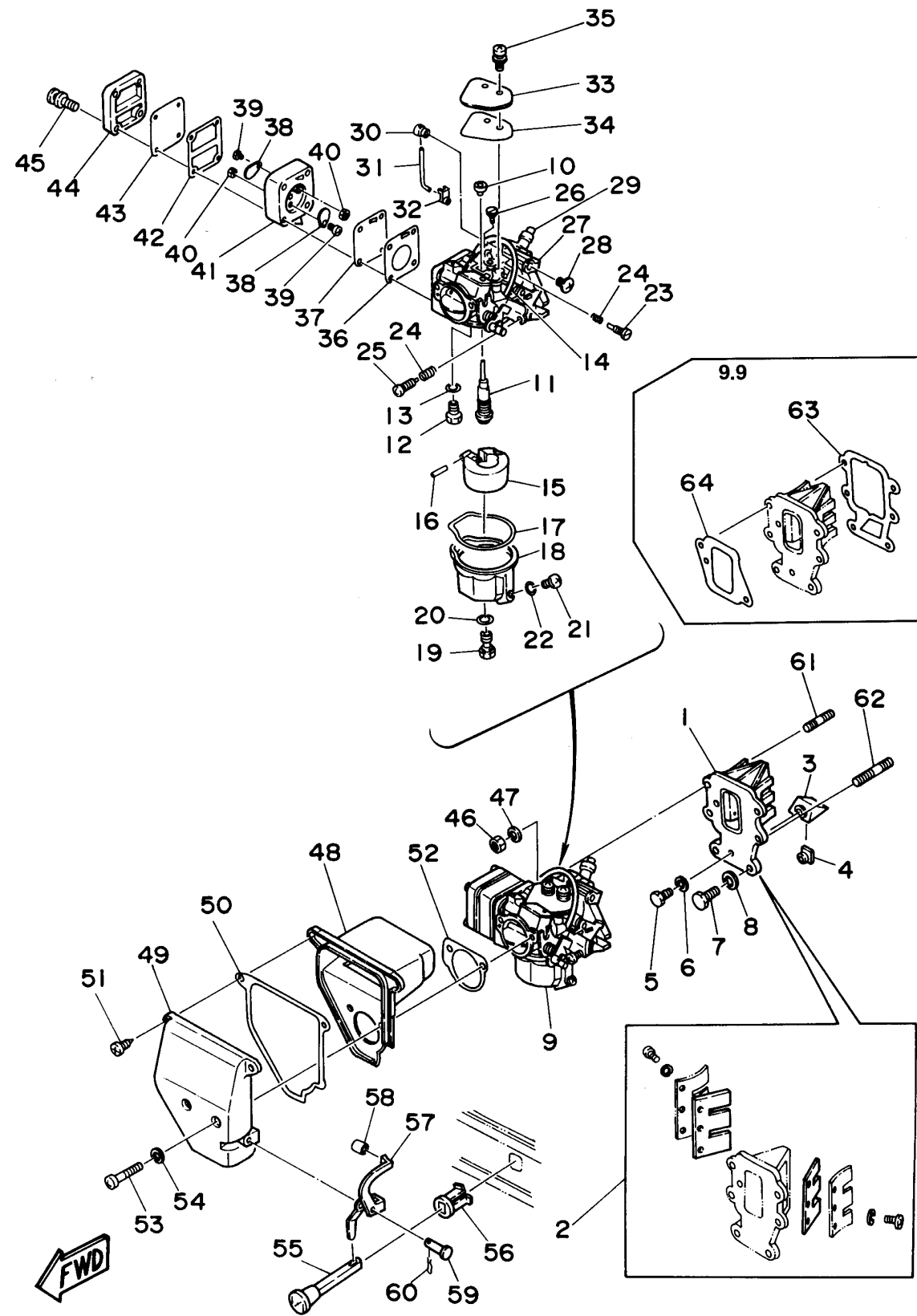
CONTINUED ON NEXT FRAME >



INTAKE

Ref No.	Part Number	Description	Qty	Remarks
34	6E7-14227-00-00	. GASKET	1	
35	97980-04108-00	. .SCREW, WITH WASHER	2	
36	677-24434-02-00	. .GASKET, BODY	1	
37	677-24411-02-00	. .DIAPHRAGM	1	
38	6A0-24421-01-00	. .VALVE, CHECK	2	
39	6E7-14325-00-00	. .SCREW, PAN HEAD	2	
40	95380-03600-00	. .NUT	2	
41	682-24412-00-00	. BODY 1	1	
42	677-24435-02-00	. GASKET, BODY 2	1	
43	677-24471-01-00	. DIAPHRAGM	1	
44	677-24413-01-00	. BODY 2	1	
45	677-24444-01-00	. .SCREW	4	
46	95380-06700-00	NUT	2	
47	92990-06600-00	.WASHER, PLATE	2	
48	682-14417-02-00	COVER 1	1	
49	682-14418-01-00	COVER 2	1	
50	682-14416-A0-00	GASKET, AIR CLEANER	1	
51	97780-50514-00	SCREW, TAPPING	2	
52	682-14483-A0-00	GASKET	1	
53	98580-05530-00	SCREW, PAN HEAD	2	

CONTINUED ON NEXT FRAME >



INTAKE

Ref No.	Part Number	Description	Qty	Remarks
54	92990-05600-00	WASHER, PLATE	2	
55	682-41271-00-00	KNOB, CHOKE	1	
56	682-41273-00-00	GROMMET	1	
57	682-41252-01-00	LEVER, CHOKE	1	
58	682-41267-00-00	BUSHING, JOINT	1	
59	682-41263-00-00	PIN, CHOKELEVER	1	
60	90468-10005-00	CLIP	1	
61	90116-06130-00	BOLT, STUD	1	
62	90116-06M04-00	BOLT, STUD	1	
63	682-13621-A0-00	GASKET, VALVE SEAT	1	9.9
64	677-14198-A0-00	GASKET	1	9.9