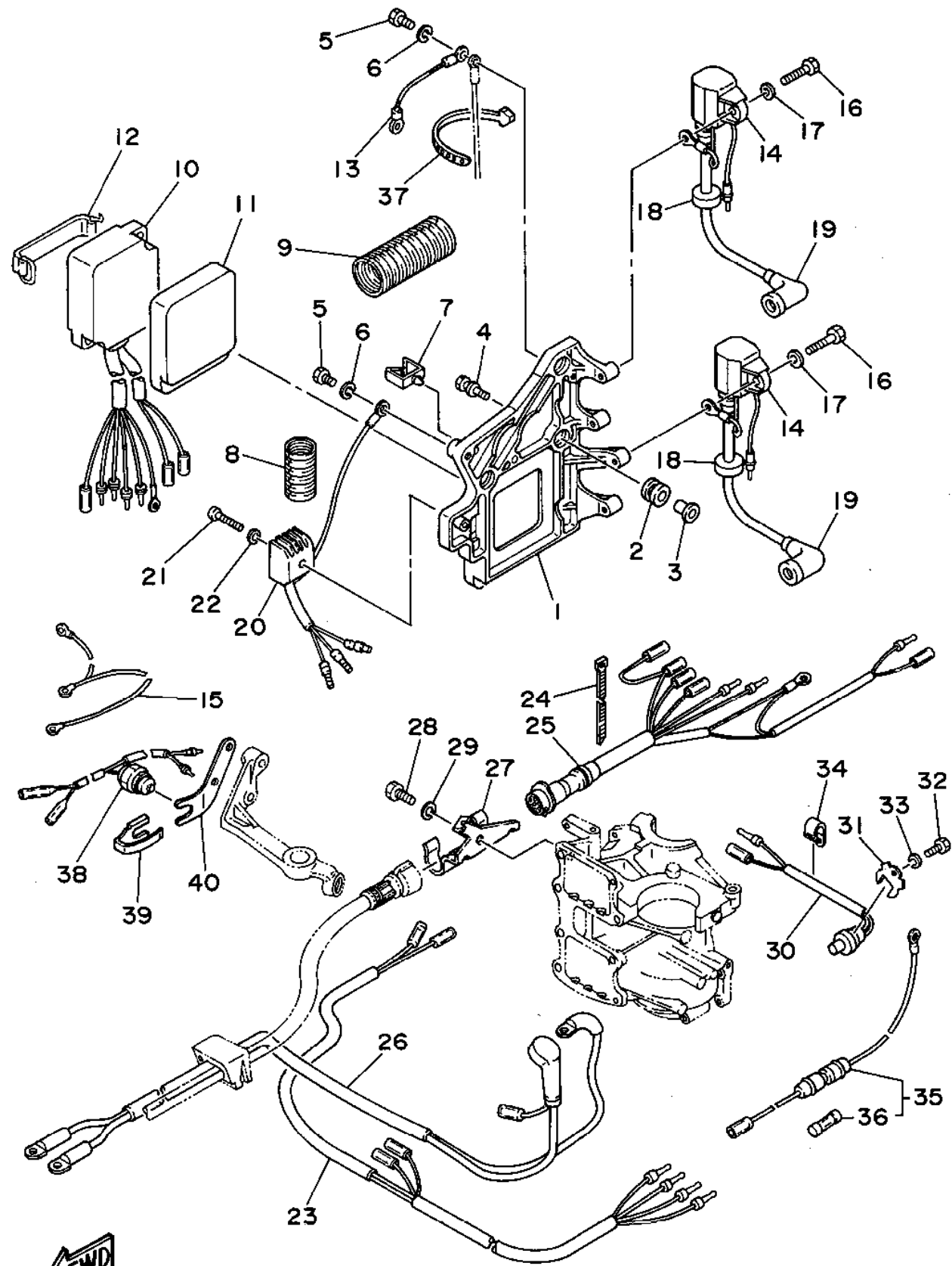


c55elrt_tlrt

ELECTRICAL 1

Ref No.	Part Number	Description	Qty	Remarks
1	663-85542-01-94	BRACKET	1	
2	6A0-82317-00-00	DAMPER, IGNITION COIL	3	
3	624-42542-00-00	PIPE	3	
4	90119-06M90-00	BOLT, WITH WASHER	3	
5	97095-06012-00	.BOLT	2	
6	92995-06100-00	WASHER, SPRING	2	
7	90464-07M10-00	CLAMP	1	
8	6G5-83557-00-00	TUBE	1	
9	697-83557-00-00	TUBE	1	
10	697-85540-00-00	C.D.I. UNIT ASSEMBLY	1	
11	697-85547-00-00	DAMPER	1	
12	663-82131-01-00	BAND, BATTERY	1	
13	662-82519-00-00	WIRE, EARTH LEAD	1	
14	697-85570-00-00	IGNITION COIL ASSY	2	
15	697-82519-00-00	WIRE, EARTH LEAD	1	
16	97095-06020-00	BOLT	4	
17	92990-06600-00	.WASHER, PLATE	4	
18	90480-25161-00	GROMMET	2	
19	663-82370-01-00	PLUG CAP ASSY	2	UR
20	664-81970-61-00	RECTIFIER ASSEMBLY	1	

CONTINUED ON NEXT FRAME >

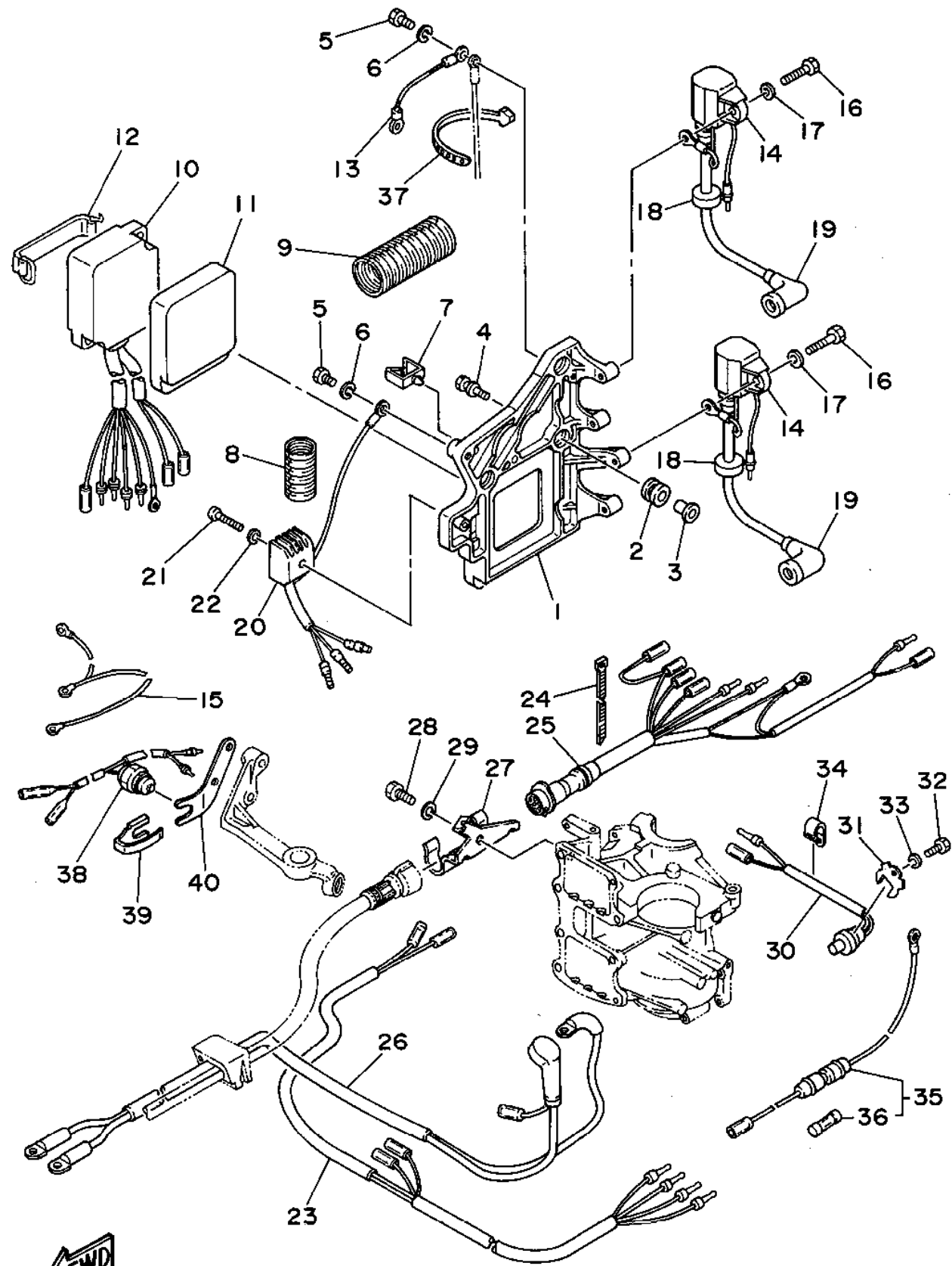


ELECTRICAL 1

Ref No.	Part Number	Description	Qty	Remarks
21	98580-05530-00	SCREW, PAN HEAD	1	
22	92990-05100-00	WASHER, SPRING	1	
23	697-81971-01-00	WIRE, LEAD	1	UR C55ER
23	697-81971-11-00	WIRE, LEAD	1	UR C55TR
24	90465-11M10-00	.CLAMP	2	
25	697-82590-21-00	WIRE HARNESS ASSEMBLY	1	UR C55TR
25	697-82590-12-00	WIRE HARNESS ASSEMBLY	1	UR C55ER
26	697-82105-12-00	BATTERY CABLE	1	UR C55ER
26	697-82105-20-00	BATTERY CABLE	1	UR C55TR
27	697-82594-00-00	CLAMP	1	
28	97395-08016-00	BOLT	1	
29	92995-08600-00	WASHER	1	
30	688-82560-00-00	THERMO SWITCH ASSY	1	
31	663-82588-00-00	PLATE	1	
32	97313-06010-00	BOLT, HEXAGON	1	
33	92995-06100-00	WASHER, SPRING	1	
34	90465-08028-00	CLAMP	1	
35	682-82150-10-00	FUSE HOLDER ASSEMBLY	1	
36	682-82151-00-00	. FUSE (12V-20A)	1	
37	90465-13M39-00	CLAMP	1	

CONTINUED ON NEXT FRAME >

 c55elrt_tlrt



ELECTRICAL 1

Ref No.	Part Number	Description	Qty	Remarks
38	697-82540-02-00	NEUTRAL SWITCH ASSEMBLY	1	UR C55ER
38	697-82540-11-00	NEUTRAL SWITCH ASSEMBLY	1	UR C55TR
39	663-82555-01-00	DAMPER, MAIN SWITCH 1	1	
40	663-82554-01-00	STAY, NEUTRAL SWITCH	1	



c55elrt_tlrt

D4