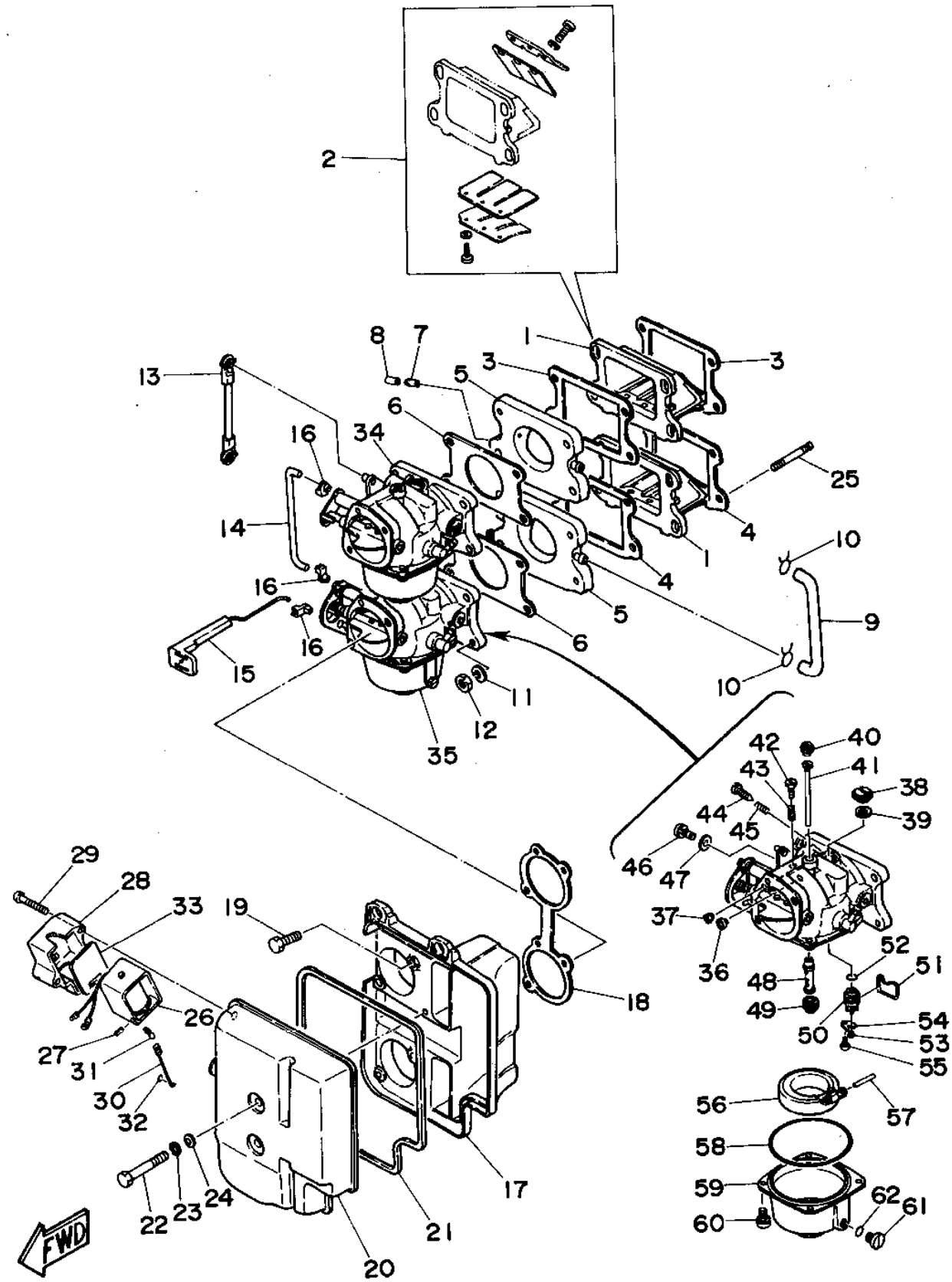
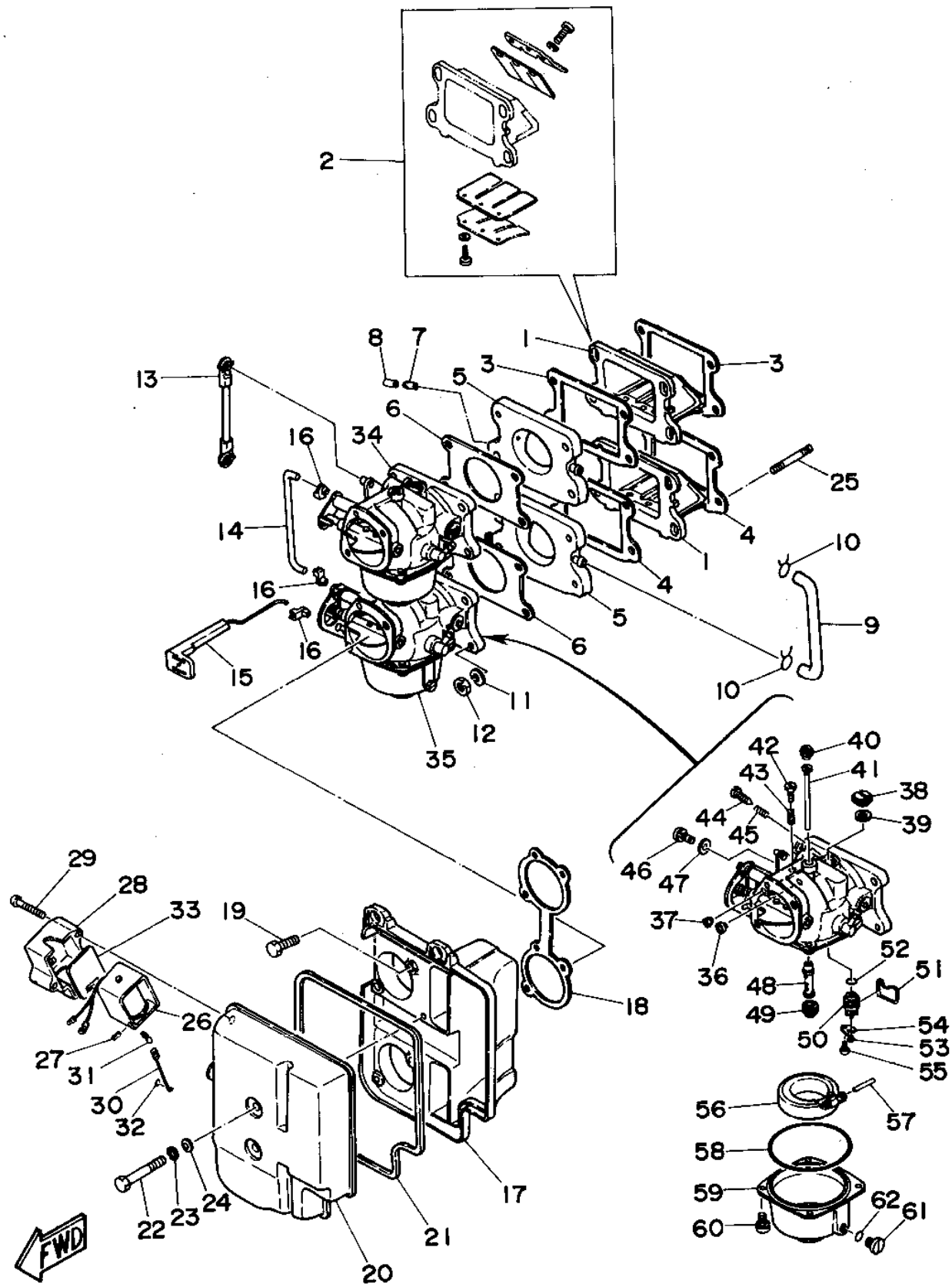


INTAKE



Ref No.	Part Number	Description	Qty	Remarks
1	697-13610-00-00	REED VALVE ASSEMBLY	2	
2	692-W0004-00-00	. REED SET	1	
3	663-13621-A0-00	GASKET, VALVE SEAT	2	
4	663-13622-A0-00	GASKET, VALVE SEAT	2	
5	663-13641-02-94	MANIFOLD 1	2	
6	663-14198-A0-00	GASKET	2	
7	624-14485-00-00	.PIPE, JOINT	2	
8	647-14395-60-00	CAP, OVERFLOW PIPE	1	
9	663-24321-00-00	PIPE 10	1	
10	90467-08004-00	CLIP	2	
11	92995-06100-00	WASHER, SPRING	8	
12	95601-06200-00	NUT, U-FLANGE	8	
13	697-41217-01-00	ROD, ACCEL. LEVER	1	
14	663-41257-02-00	ROD, CHOKE 2	1	
15	663-41256-01-00	ROD, CHOKE 1	1	
16	661-41262-02-00	JOINT, CHOKE LEVER	3	
17	697-14417-00-94	COVER 1	1	
18	663-14483-A0-00	GASKET	1	
19	97095-06025-00	.BOLT	4	
20	697-14418-00-94	COVER 2	1	

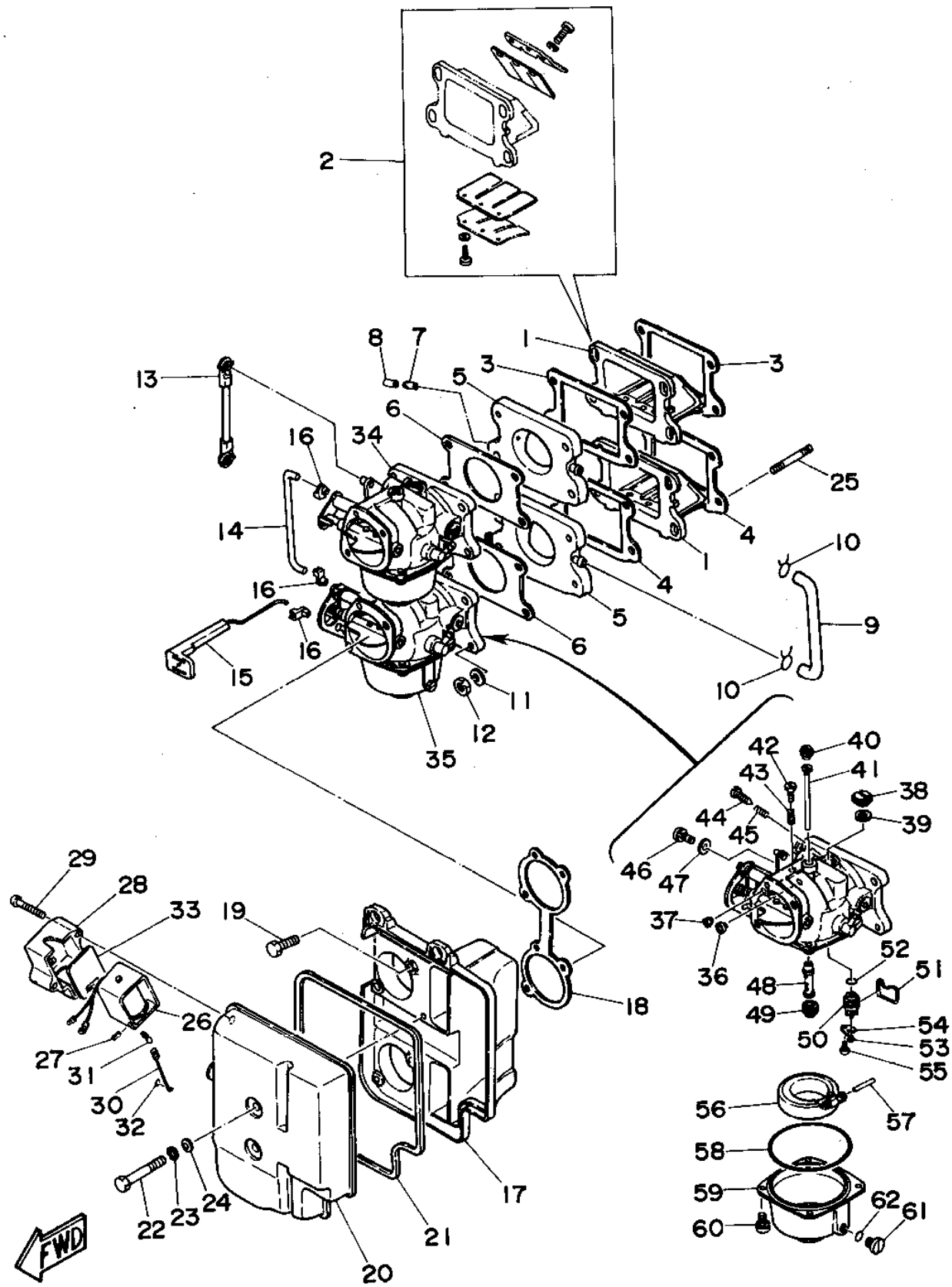
CONTINUED ON NEXT FRAME >



INTAKE

Ref No.	Part Number	Description	Qty	Remarks
21	697-14416-00-00	GASKET, AIR CLEANER	1	
22	97095-06045-00	.BOLT	2	
23	92995-06100-00	WASHER, SPRING	2	
24	92990-06600-00	.WASHER, PLATE	2	
25	90116-06176-00	BOLT, STUD	8	
26	663-86110-02-00	SOLENOID	1	
27	91690-30010-00	PIN, SPRING	1	
28	663-86115-00-00	HOLDER, SOLENOID	1	
29	98580-05530-00	SCREW, PAN HEAD	2	
30	663-86116-01-00	WIRE, PULL	1	
31	676-86117-00-00	HOOK, WIRE PULL	1	
32	93210-03261-00	O-RING	1	
33	663-86118-00-00	DAMPER	1	
34	697-14501-04-00	CARBURETOR ASSEMBLY 1	1	
35	697-14502-04-00	CARBURETOR ASSEMBLY 2	1	
36	663-14950-27-00	. PILOT, AIR JET	2	
37	663-14945-32-00	. JET (#125)	2	
38	697-14991-00-00	. SCREW	2	
39	679-14557-00-00	. WASHER	2	
40	663-14567-01-00	. SCREW	2	

CONTINUED ON NEXT FRAME >

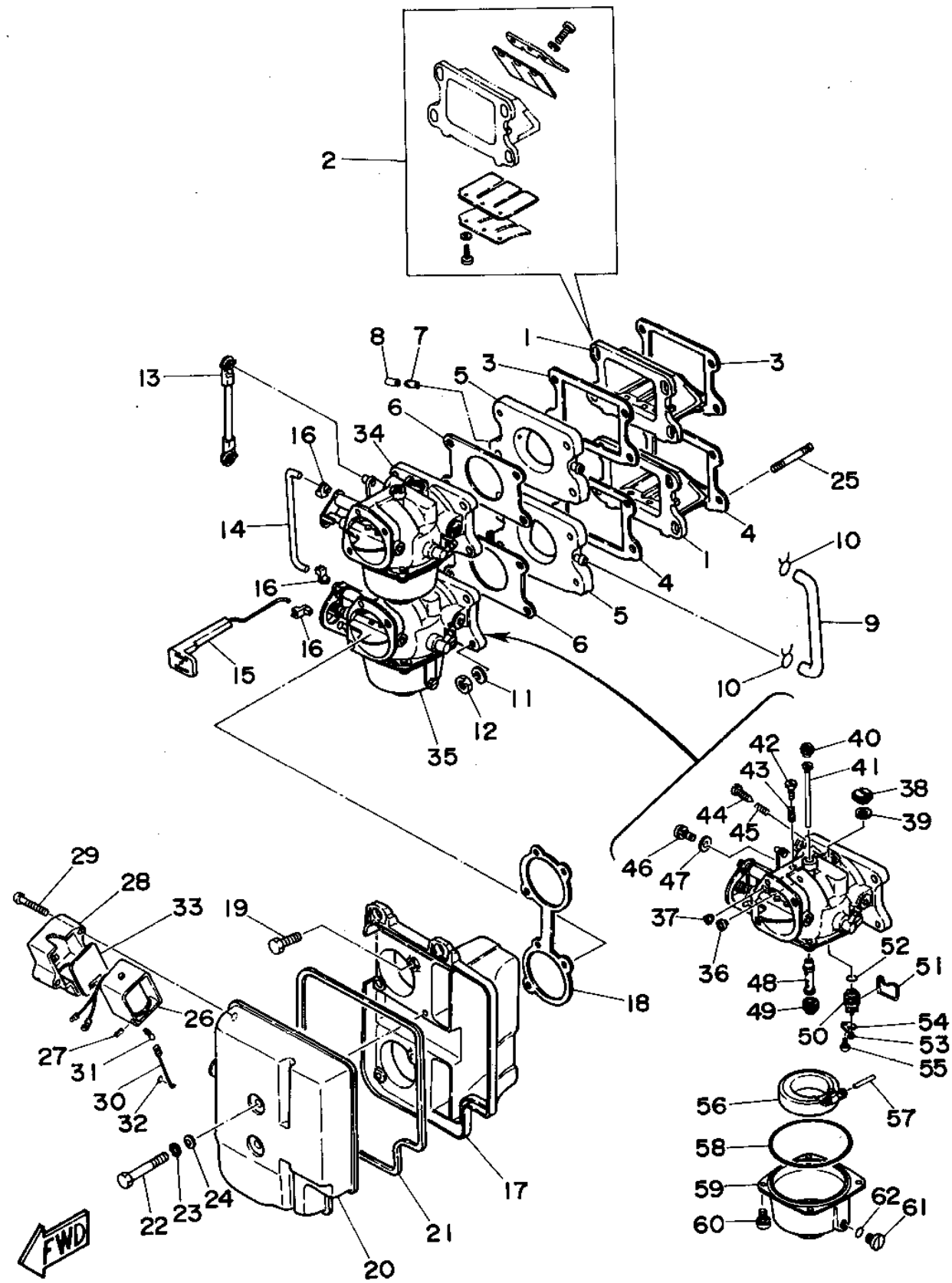


INTAKE

Ref No.	Part Number	Description	Qty	Remarks
41	663-14942-19-00	. JET, PILOT	2	
42	6H1-14523-00-00	. SCREW, STOP	1	
43	90501-10326-00	. SPRING, COMPRESSION	1	
44	663-14923-00-00	. SCREW, PILOT	2	
45	90501-08214-00	. SPRING, COMPRESSION	2	
46	6K5-14592-00-00	. SCREW	1	
47	90201-05652-00	. WASHER, PLATE	1	
48	663-14947-01-00	. JET, NEEDLE	2	
49	663-14943-39-00	. JET, MAIN (#160)	2	
50	696-14590-00-00	. NEEDLE VALVE ASSY	2	
51	663-14159-00-00	. CLIP	2	
52	93210-07229-00	. O-RING	2	
53	676-14186-00-00	. PIN, FLOAT	2	
54	371-14919-60-00	. CLIP	2	
55	98580-04006-00	. SCREW, PAN HEAD	2	
56	6F0-14985-00-00	. FLOAT	2	
57	663-14548-00-00	. PIN, FLOAT ARM	2	
58	93210-64272-00	. O-RING	2	
59	663-14980-00-00	. BODY, FLOAT CHAMBER	2	
60	97980-04112-00	. SCREW, WITH WASHER	8	

CONTINUED ON NEXT FRAME >

INTAKE



Ref No.	Part Number	Description	Qty	Remarks
61	6H3-14992-00-00	. .SCREW, DRAIN	2	
62	93210-04230-00	. O-RING	2	