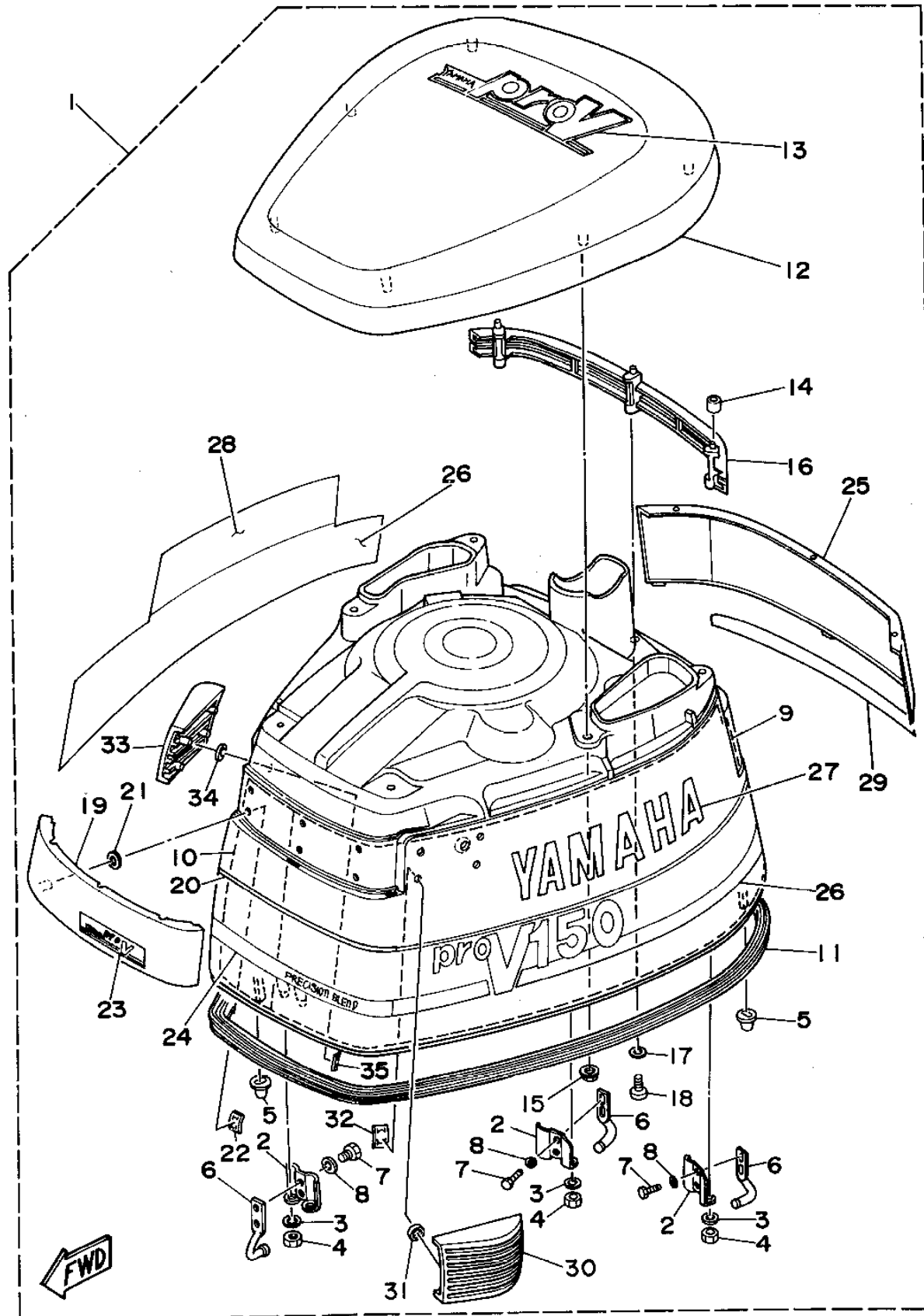


TOP COWLING

Ref No.	Part Number	Description	Qty	Remarks
1	6N9-42610-N0-NA	TOP COWLING ASSEMBLY	1	UR P150
1	62H-42610-N0-NA	TOP COWLING ASSEMBLY	1	UR P175
1	61H-42610-N0-NA	TOP COWLING ASSEMBLY	1	UR P200
2	6R3-42647-00-00	. .HOLDER, CLAMP BAND	3	
3	92995-06100-00	. .WASHER, SPRING	6	
4	95601-06200-00	. .NUT, U-FLANGE	6	
5	6R3-42662-00-00	. .DAMPER	3	
6	6R3-42814-00-00	. .HOOK, CLAMP	3	
7	97095-06012-00	. .BOLT	6	
8	92990-06600-00	. .WASHER, PLATE	6	
9	6N9-42619-00-00	. .DAMPER, FORM	1	
10	6N9-42627-00-00	. .DAMPER, FORM	1	
11	6R3-42615-01-00	. .SEAL	1	
12	6R3-42613-00-4D	. .MOLDING, AIR DUCT	1	
13	62A-42683-40-00	. .MARK, COWLING	1	
14	90385-04M05-00	. .BUSH	3	
15	90179-06M24-00	. .NUT	6	
16	6R3-42636-00-00	. .LOUVER 2	1	
17	92990-04600-00	. .WASHER, PLATE	3	
18	97780-40120-00	. .SCREW, TAPPING	3	

CONTINUED ON NEXT FRAME >



TOP COWLING

Ref No.	Part Number	Description	Qty	Remarks
19	6N9-42686-00-00	. EMBLEM, FRONT	1	
20	6N9-42684-N0-00	. MARK, COWLING	1	
21	90430-05M06-00	. GASKET	6	
22	90183-05M01-00	. NUT, SPRING	6	
23	61H-42684-N0-00	. MARK, COWLING	1	
24	6N9-42677-N0-00	. GRAPHIC, FRONT	1	
25	6N9-42687-N0-00	. EMBLEM, REAR	1	
26	61H-W0070-N0-00	. GRAPHIC SET	1	UR P200
26	6N9-W0070-N0-00	. GRAPHIC SET	1	UR P150
26	62H-W0070-N0-00	. GRAPHIC SET	1	UR P175
27	6N9-42681-N0-00	. MARK, COWLING	1	
28	6N9-42682-N0-00	. MARK, COWLING	1	
29	6N9-4267A-N0-00	. GRAPHIC, REAR 2	1	
30	6N9-42688-00-00	. EMBLEM, SIDE 1	1	
31	90430-05M06-00	. GASKET	4	
32	90183-05M01-00	. NUT, SPRING	4	
33	6N9-42689-00-00	. EMBLEM, SIDE 2	1	
34	90430-05M06-00	. GASKET	4	
35	90183-05M01-00	. NUT, SPRING	4	