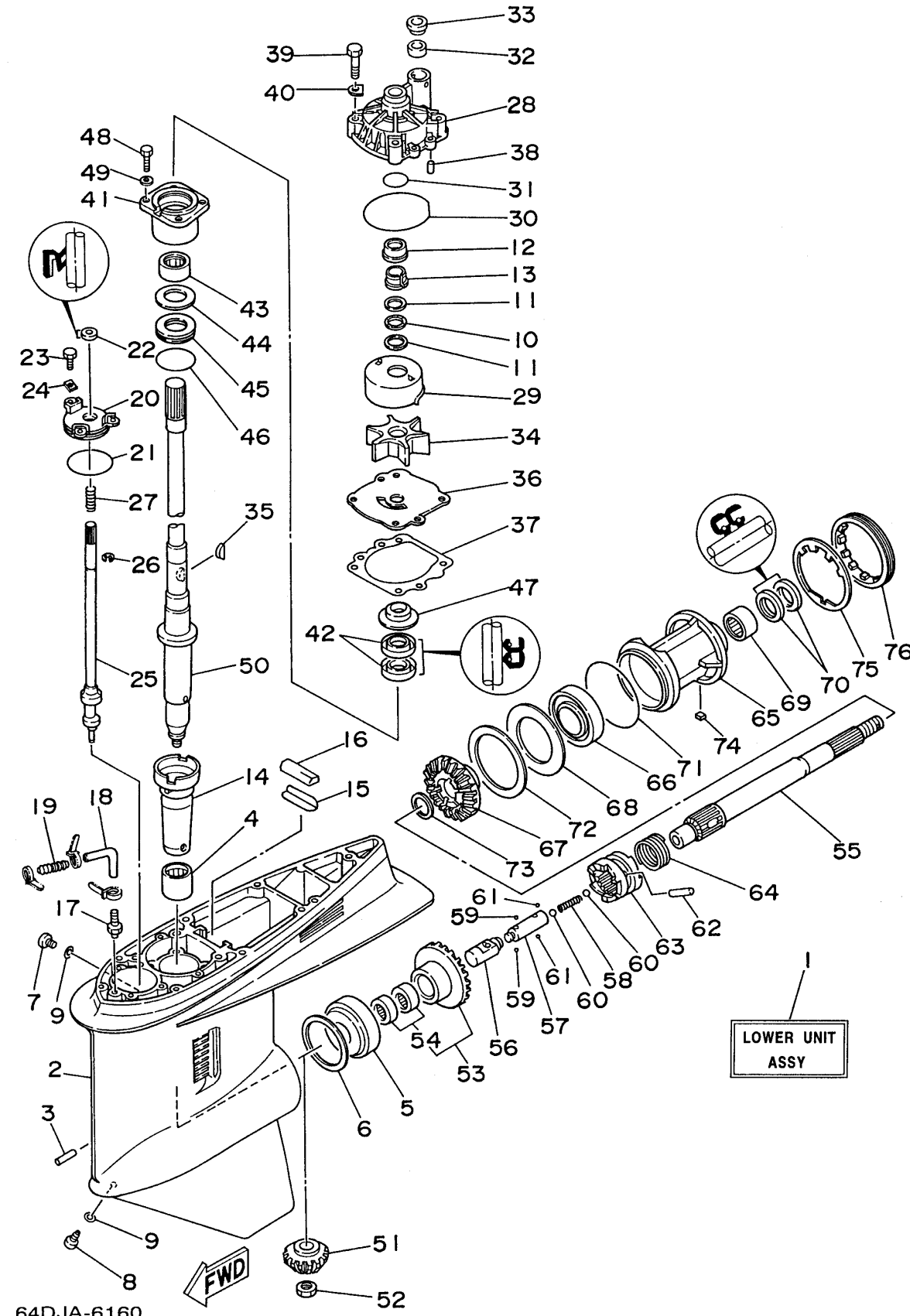


64DJA-6160
225tru

LOWER CASING DRIVE 1

Ref No.	Part Number	Description	Qty	Remarks
1	64F-45300-00-4D	LOWER UNIT ASSEMBLY (REF. # 2-76)	1	UR LONG
1	64F-45300-20-4D	LOWER UNIT ASSEMBLY (REF. # 2-76)	1	UR ULTRA LONG
2	6J9-45301-03-8D	CASING, LOWER	1	
3	91690-30016-00	PIN, SPRING	1	
4	93311-928U5-00	BEARING	1	
5	93332-000V3-00	BEARING	1	
6	6G5-45567-01-12	SHIM (T:0.12MM)	1	UR
6	6G5-45567-01-30	SHIM (T:0.30MM)	1	UR
6	6G5-45567-01-40	SHIM (T:0.40MM)	1	UR
6	6G5-45567-01-50	SHIM (T:0.50MM)	1	UR
6	6G5-45567-01-10	SHIM (T:0.10MM)	1	UR
6	6G5-45567-01-15	SHIM (T:0.15MM)	1	UR
6	6G5-45567-01-18	SHIM (T:0.18MM)	1	UR
7	90340-08M04-00	PLUG, STRAIGHT SCREW	1	
8	688-45341-00-00	PLUG, DRAIN	1	
9	90430-08020-00	.GASKET	2	
10	90206-22M19-00	WASHER, WAVE	1	
11	90201-22M01-00	WASHER, PLATE	2	
12	61A-45527-00-00	COLLAR, DRIVE SHAFT	1	
13	61A-45538-00-00	SPACER 1	1	

CONTINUED ON NEXT FRAME >

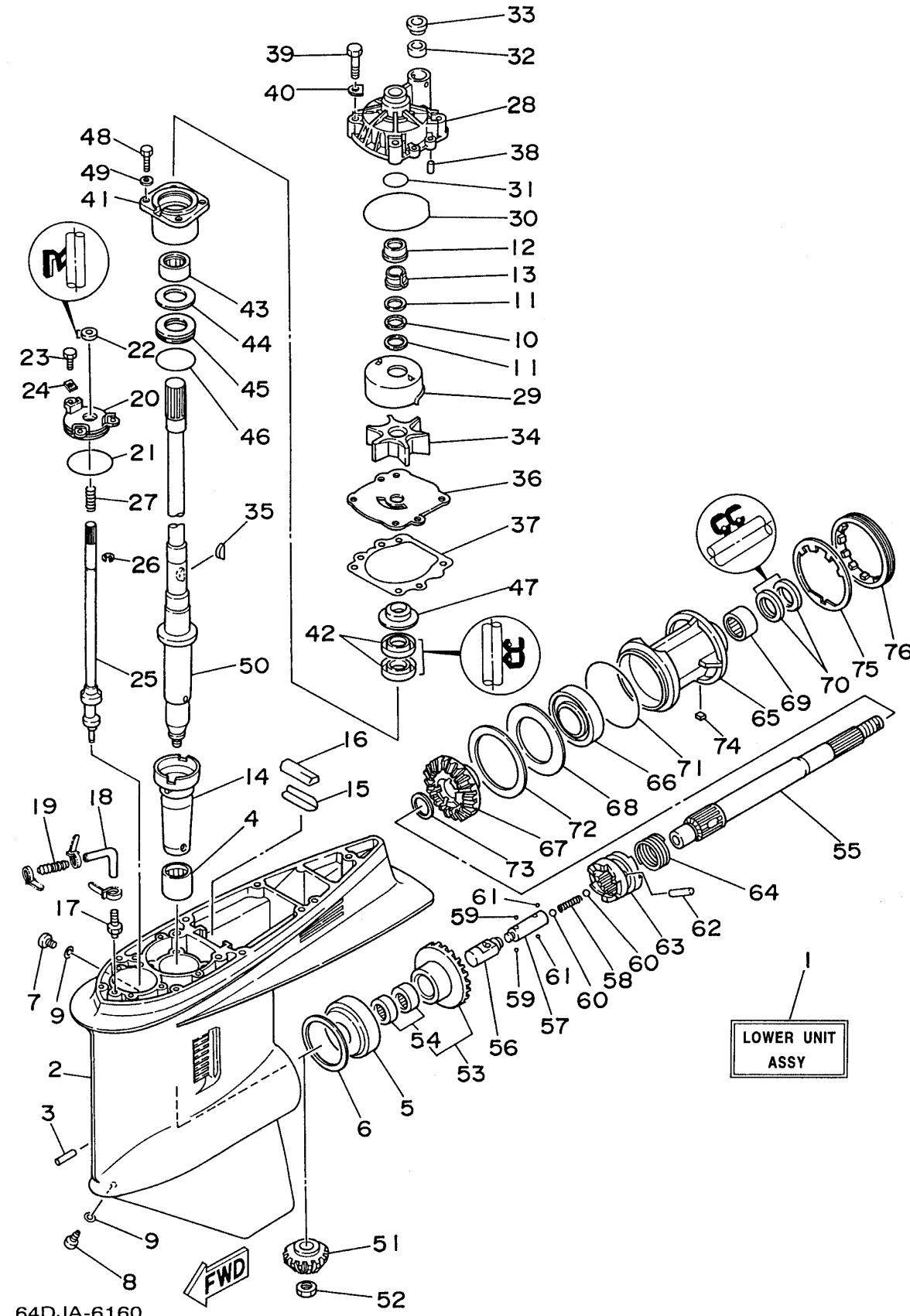


64DJA-6160
225tru

LOWER CASING DRIVE 1

Ref No.	Part Number	Description	Qty	Remarks
14	6G5-45536-01-00	SLEEVE, DRIVE SHAFT	1	
15	663-45376-00-94	GUIDE, SEAL DAMPER	1	UR LONG
15	64D-45376-00-94	GUIDE, SEAL DAMPER	1	UR ULTRA LONG
16	688-45375-00-00	DAMPER, SEAL	1	
17	6E5-45378-00-00	NIPPLE, HOSE	1	
18	90445-07ME9-00	HOSE (L120)	1	UR ULTRA LONG
18	90445-07ME8-00	HOSE (L80)	1	UR LONG
19	6E5-83558-10-00	END, NIPPLE	1	
20	6E5-45321-00-00	PLATE	1	
21	93210-58677-00	O-RING	1	
22	93106-09014-00	.OIL SEAL	1	
23	97095-06020-00	BOLT	3	
24	90209-06M04-00	WASHER	3	
25	6G5-44150-01-00	SHIFT CAM ASSY	1	
26	99001-08600-00	CIRCLIP	1	
27	90501-11M10-00	SPRING, COMPRESSION	1	
28	61A-44311-01-00	HOUSING, WATER PUMP	1	
29	61A-44322-00-00	INSERT, CARTRIDGE	1	
30	93210-86M38-00	.O-RING	1	
31	93210-37M67-00	O-RING	1	

CONTINUED ON NEXT FRAME >

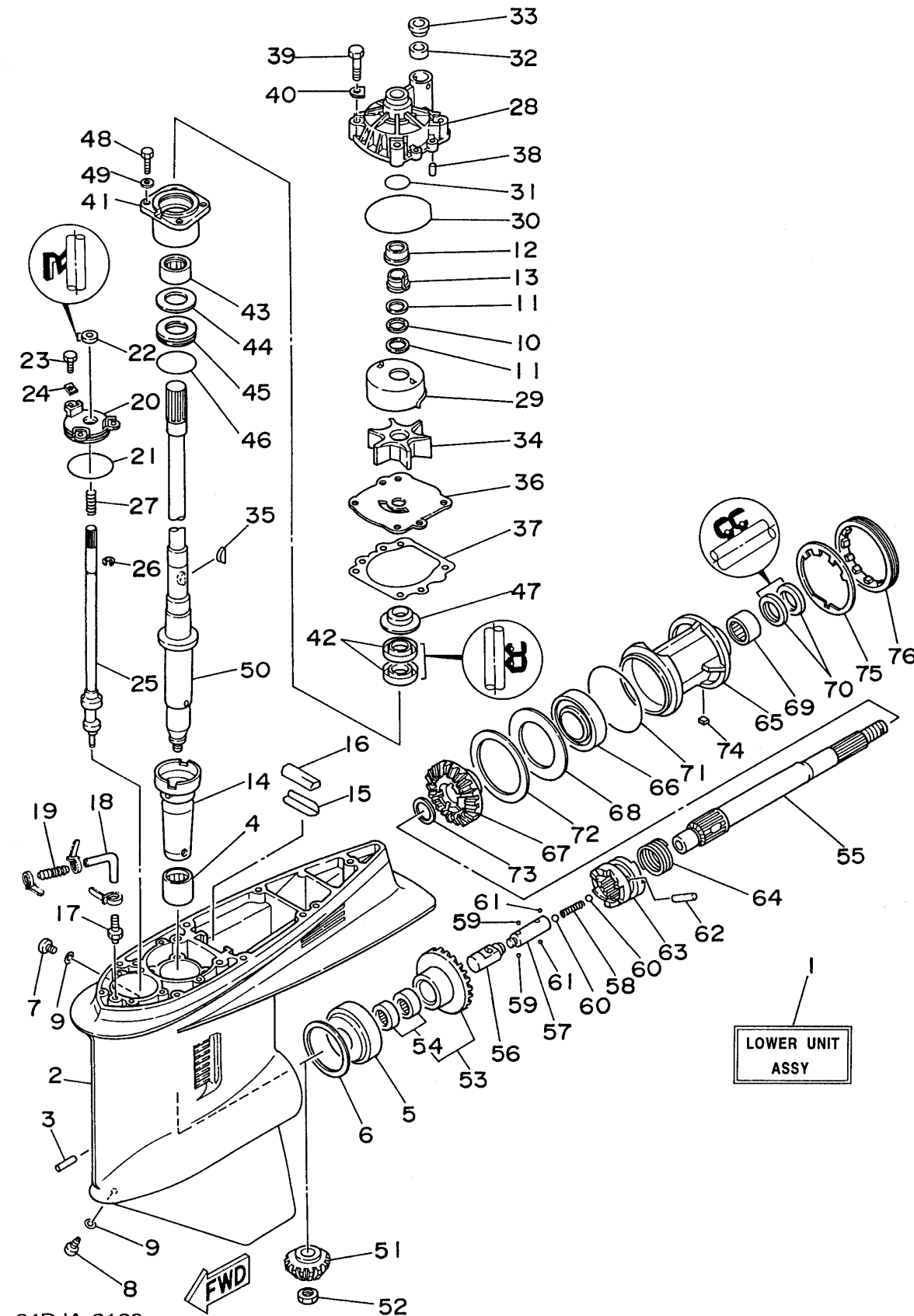


64DJA-6160
225tru

LOWER CASING DRIVE 1

Ref No.	Part Number	Description	Qty	Remarks
32	6E5-44365-00-00	DAMPER, WATER SEAL 1	1	
33	6E5-44312-00-00	COVER, WATER PUMP HOUSING	1	
34	6E5-44352-00-00	IMPELLER	1	
35	90280-04M05-00	.KEY, WOODRUFF	1	
36	6G5-44323-00-00	.OUTER PLATE, CARTRIDGE	1	
37	6E5-44315-A0-00	.GASKET, WATER PUMP	1	
38	93606-12019-00	.PIN, DOWEL	2	
39	97095-08045-00	.BOLT	4	
40	90209-08M02-00	WASHER	4	
41	6E5-45331-00-94	HOUSING, BEARING	1	
42	93101-28M16-00	.OIL SEAL	2	
43	93315-430V5-00	.BEARING	1	
44	6E5-45587-01-12	SHIM (T:0.12MM)	1	UR
44	6E5-45587-01-30	SHIM (T:0.30MM)	1	UR
44	6E5-45587-01-50	SHIM (T:0.50MM)	1	UR
44	6E5-45587-01-10	SHIM (T:0.10MM)	1	UR
44	6E5-45587-01-15	SHIM (T:0.15MM)	1	UR
44	6E5-45587-01-18	SHIM (T:0.18MM)	1	UR
44	6E5-45587-01-40	SHIM (T:0.40MM)	1	UR
45	93341-930V2-00	BEARING	1	

CONTINUED ON NEXT FRAME >

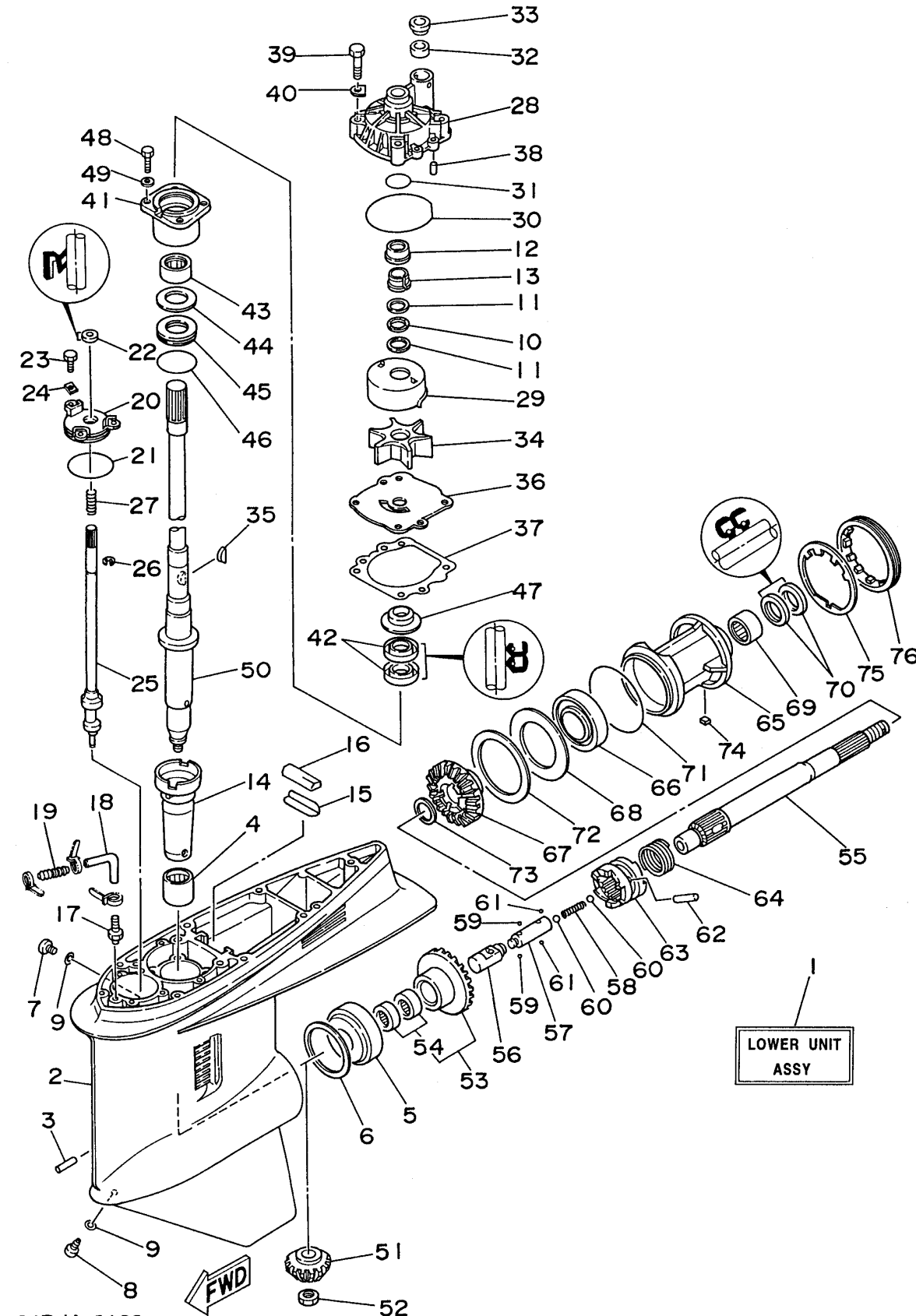


64DJA-6160
225tru

LOWER CASING DRIVE 1

Ref No.	Part Number	Description	Qty	Remarks
46	93210-54534-00	O-RING	1	
47	6E5-45344-00-00	COVER, OIL SEAL	1	
48	97095-08025-00	BOLT	4	
49	92990-08600-00	.WASHER, PLATE	4	
50	6G5-45501-01-00	DRIVE SHAFT COMP.	1	UR LONG
50	6G5-45501-21-00	DRIVE SHAFT COMP.	1	UR ULTRA LONG
51	61H-45551-00-00	PINION (14T)	1	
52	90170-16M01-00	NUT	1	
53	61H-45560-00-00	GEAR 1 (26T)	1	
54	93315-425V3-00	.BEARING	2	
55	6J9-45611-01-00	SHAFT, PROPELLER	1	
56	6E5-45641-01-00	SHIFTER	1	
57	6E5-45634-01-00	SLIDE, SHIFT	1	
58	90501-16M37-00	SPRING, COMPRESSION	1	
59	93507-32031-00	BALL 7-32	2	
60	93511-32027-00	BALL	2	
61	93503-16010-00	BALL 3-16	2	
62	90250-08M07-00	PIN, STRAIGHT	1	
63	6G5-45631-10-00	CLUTCH, DOG	1	
64	6E5-45633-01-00	RING, CROSS PIN	1	

CONTINUED ON NEXT FRAME >



64DJA-6160
225tru

LOWER CASING DRIVE 1

Ref No.	Part Number	Description	Qty	Remarks
65	6J9-45332-00-94	HOUSING, BEARING	1	
66	93306-209U0-00	BEARING	1	
67	61H-45571-01-00	GEAR 2 (26T)	1	
68	6G5-45576-00-00	WASHER, THRUST	1	
69	93315-430U8-00	BEARING	1	
70	93101-30M17-00	.OIL SEAL	2	
71	93210-97M55-00	.O-RING	1	
72	6G5-45577-02-12	SHIM (T:0.12MM)	1	UR
72	6G5-45577-02-30	SHIM (T:0.30MM)	1	UR
72	6G5-45577-02-50	SHIM (T:0.50MM)	1	UR
72	6G5-45577-02-10	SHIM (T:0.10MM)	1	UR
72	6G5-45577-02-15	SHIM (T:0.15MM)	1	UR
72	6G5-45577-02-18	SHIM (T:0.18MM)	1	UR
72	6G5-45577-02-40	SHIM (T:0.40MM)	1	UR
73	90201-30M92-00	WASHER, PLATE	1	
74	90282-04M00-00	KEY, STRAIGHT	1	
75	6G5-45383-01-00	WASHER, CLAW	1	
76	6G5-45384-00-00	NUT	1	