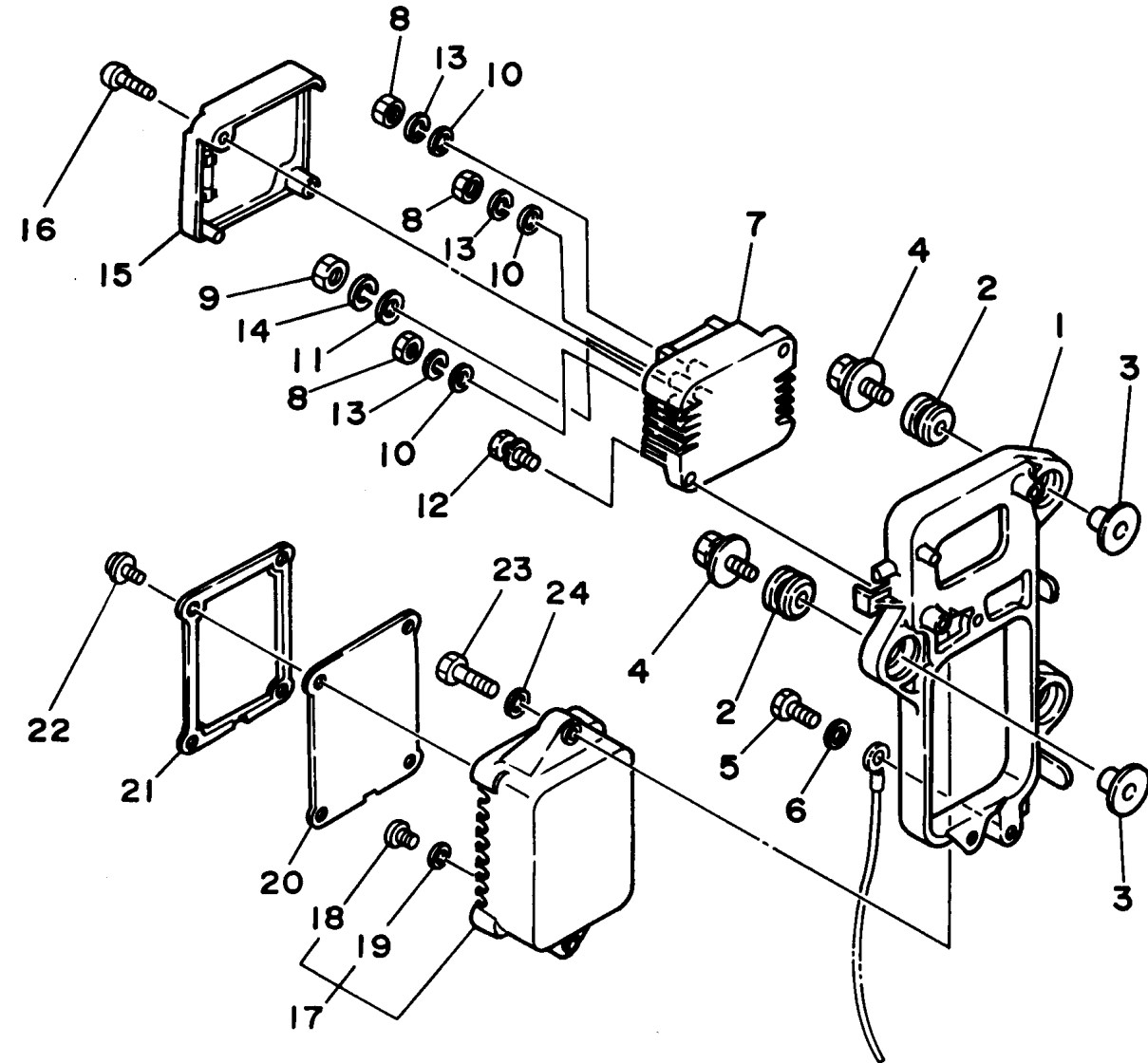


ELECTRICAL 1

Ref No.	Part Number	Description	Qty	Remarks
1	6E5-85542-00-94	BRACKET	1	
2	90480-09M12-00	GROMMET	3	
3	90387-06M03-00	COLLAR	3	
4	90119-06M60-00	BOLT, WITH WASHER	3	
5	97095-06016-00	BOLT	1	
6	92990-06600-00	.WASHER, PLATE	1	
7	6G5-81960-A0-00	RECTIFIER & REGULATOR ASSY	1	
8	95380-05600-00	.NUT	3	
9	95380-06600-00	NUT, HEXAGON	1	
10	92990-05200-00	.WASHER, PLAIN	3	
11	92990-06200-00	WASHER, PLAIN	1	
12	97595-06520-00	BOLT, WITH WASHER	2	
13	92990-05100-00	WASHER, SPRING	3	
14	92995-06100-00	WASHER, SPRING	1	
15	688-81961-01-00	COVER	1	
16	97985-05225-00	SCREW, WITH WASHER	2	
17	6E5-85540-12-00	C.D.I. UNIT ASSEMBLY	1	
18	98580-04008-00	.SCREW, PAN HEAD	16	
19	92990-04200-00	.WASHER	16	
20	6E5-85547-10-00	DAMPER	1	

CONTINUED ON NEXT FRAME >



ELECTRICAL 1

Ref No.	Part Number	Description	Qty	Remarks
21	6E5-85537-10-00	COVER	1	
22	97985-05210-00	SCREW, WITH WASHER	4	
23	97095-06025-00	.BOLT	2	
24	92990-06600-00	.WASHER, PLATE	2	

