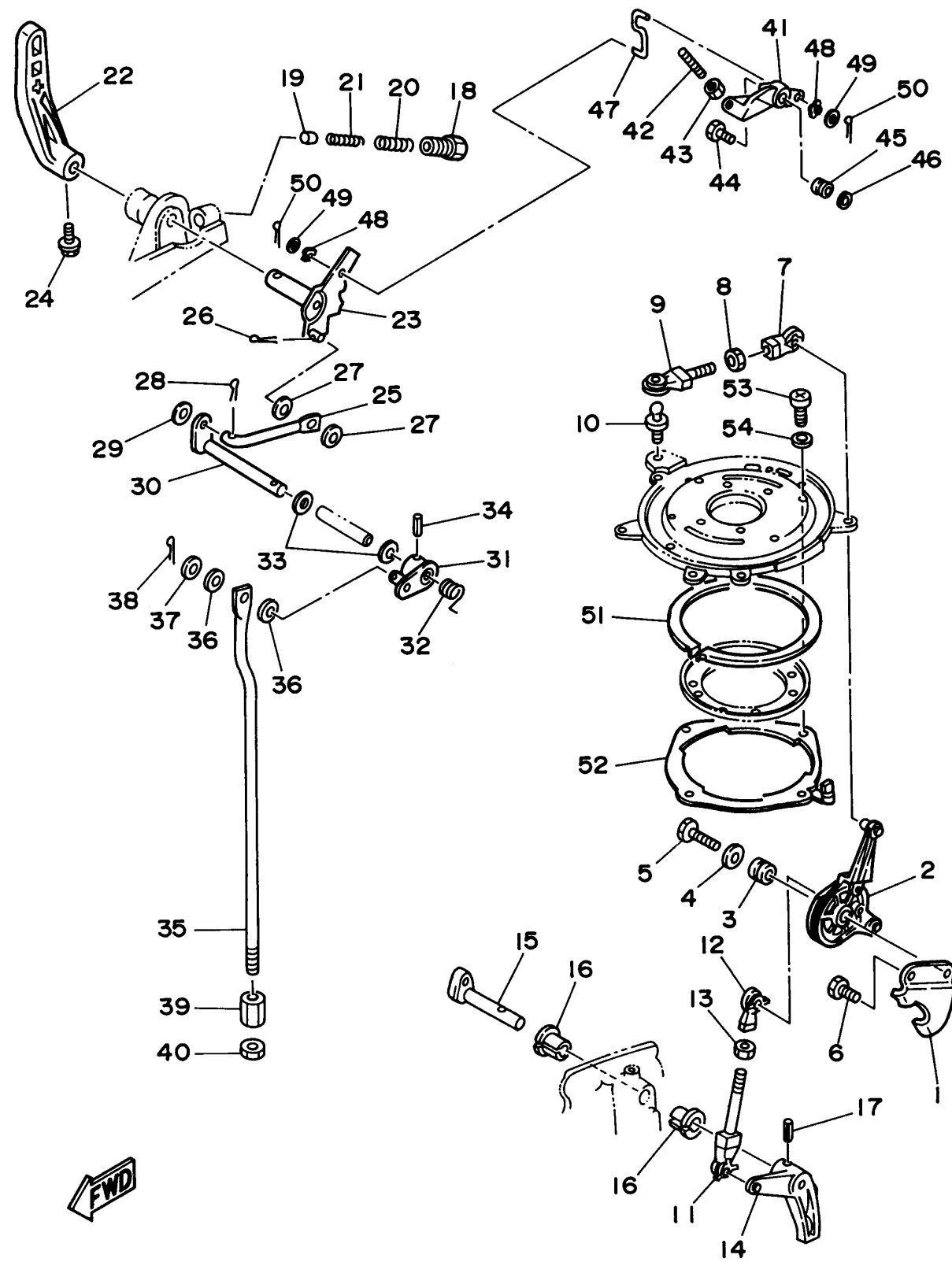


# CONTROL

Ref No.	Part Number	Description	Qty	Remarks
1	689-14497-00-00	STAY, THROTTLE WIRE	1	
2	61N-41631-00-94	LEVER, MAGNETO CONTROL	1	
3	90387-06M02-00	COLLAR	1	
4	90387-06298-00	COLLAR	1	
5	97095-06025-00	.BOLT	1	
6	97095-06012-00	.BOLT	1	
7	6H1-41237-00-00	JOINT, LINK	1	
8	95380-05700-00	NUT	1	
9	679-41241-01-00	ROD, LINK	1	
10	663-85518-00-00	JOINT, BALL	1	
11	689-42169-01-00	JOINT	1	
12	6H1-41237-00-00	JOINT, LINK	1	
13	95380-05600-00	.NUT	1	
14	689-42154-70-94	LEVER, THROTTLE CONTROL	1	UR M
14	689-42154-80-94	LEVER, THROTTLE CONTROL	1	UR E
15	656-42153-00-94	SHAFT, THROTTLE CONTROL	1	
16	90386-10009-00	.BUSH	2	
17	91690-40018-00	.PIN, SPRING	1	
18	664-42715-00-00	BUSHING	1	
19	664-44167-00-00	PLUNGER, SHIFT CAM	1	

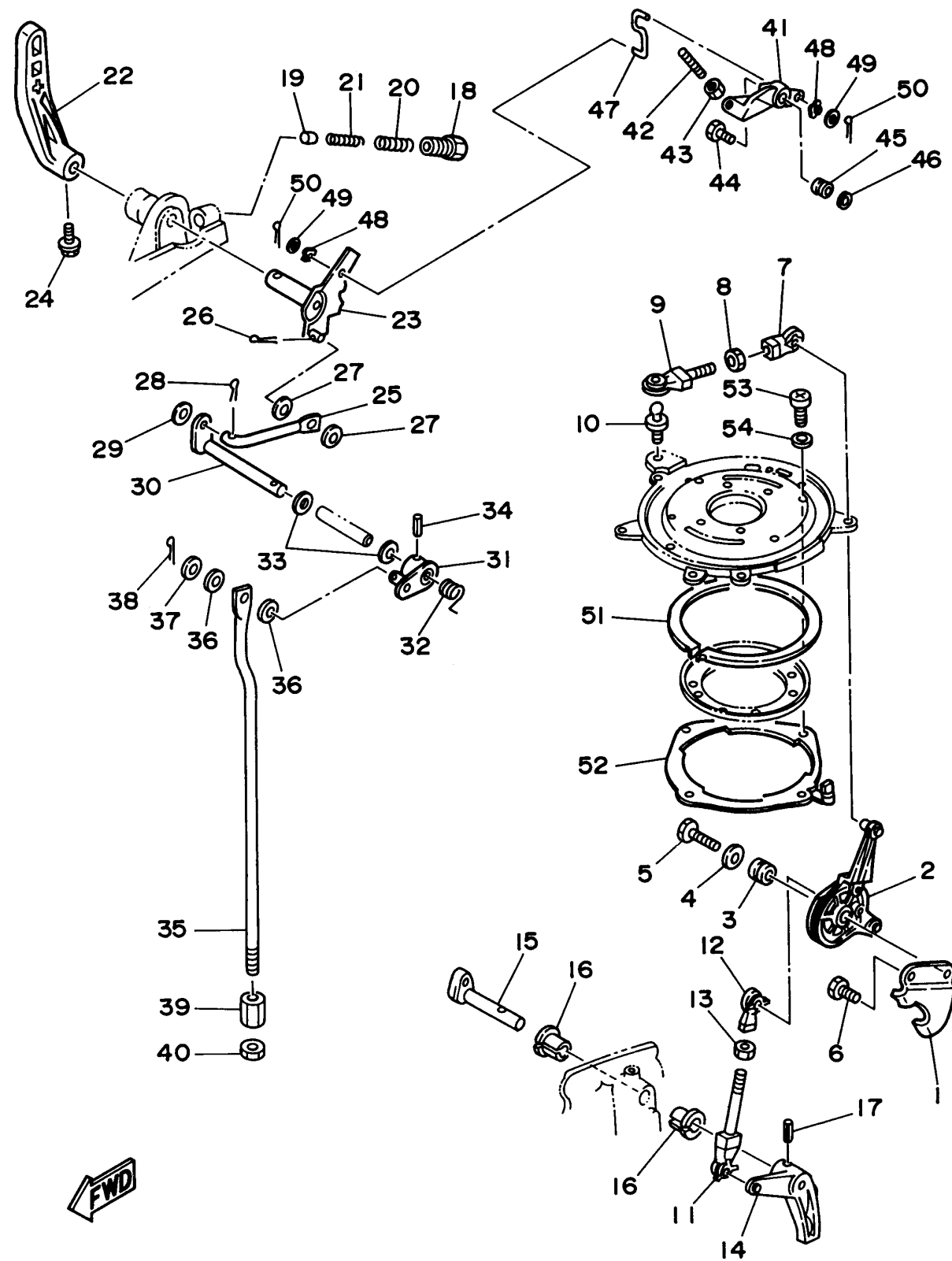
CONTINUED ON NEXT FRAME >



# CONTROL

Ref No.	Part Number	Description	Qty	Remarks
20	90501-14M07-00	SPRING, COMPRESSION	1	
21	90501-09M08-00	SPRING, COMPRESSION	1	
22	689-44111-00-4D	HANDLE, GEAR SHIFT	1	
23	664-44113-01-00	CAM PLATE, HANDLE	1	
24	90105-06M07-00	.BOLT, FLANGE	1	
25	664-44142-00-00	JOINT	1	
26	91490-16010-00	PIN. COTTER	1	
27	90202-06007-00	WASHER, PLATE	2	
28	91490-12012-00	PIN. COTTER	1	
29	92990-05600-00	WASHER, PLATE	1	
30	689-44121-01-00	LEVER, SHIFT ROD	1	
31	689-44125-00-00	LEVER, SHIFT ROD	1	
32	90508-14M13-00	SPRING, TORSION	1	
33	90202-10024-00	WASHER, PLATE	2	
34	91690-40016-00	PIN, SPRING	1	
35	61N-44143-00-00	ROD, SHIFT	1	
36	90202-06007-00	WASHER, PLATE	2	
37	92990-05600-00	WASHER, PLATE	1	
38	91490-20015-00	PIN. COTTER	1	
39	90170-06015-00	NUT	1	

CONTINUED ON NEXT FRAME >



# CONTROL

Ref No.	Part Number	Description	Qty	Remarks
40	95380-06600-00	NUT, HEXAGON	1	
41	689-15746-70-94	ARM	1	M
42	90113-05M04-00	BOLT, SET	1	M
43	95380-05600-00	.NUT	1	M
44	97095-06020-00	BOLT	1	M
45	90387-06M02-00	COLLAR	1	M
46	90387-06298-00	COLLAR	1	M
47	689-15747-70-00	LINK	1	M
48	90206-05005-00	WASHER, WAVE	2	M
49	92990-05600-00	WASHER, PLATE	2	M
50	91490-16010-00	PIN. COTTER	2	M
51	676-41611-00-00	RETAINER, MAGNETO BASE	1	
52	676-41613-00-00	PLATE, BASE FRICTION	1	
53	98580-05012-00	.SCREW, PAN HEAD	4	
54	92990-05600-00	WASHER, PLATE	4	