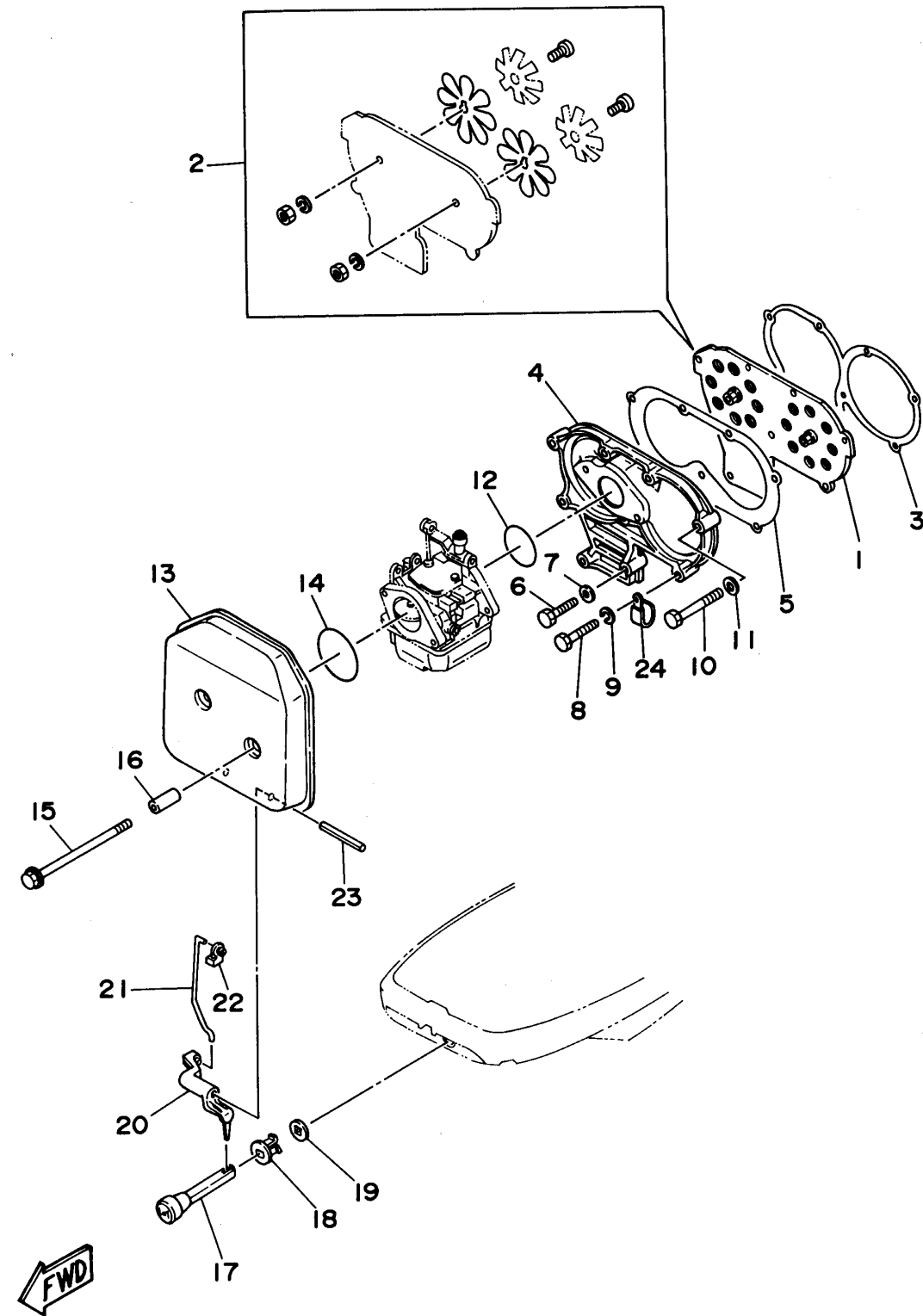


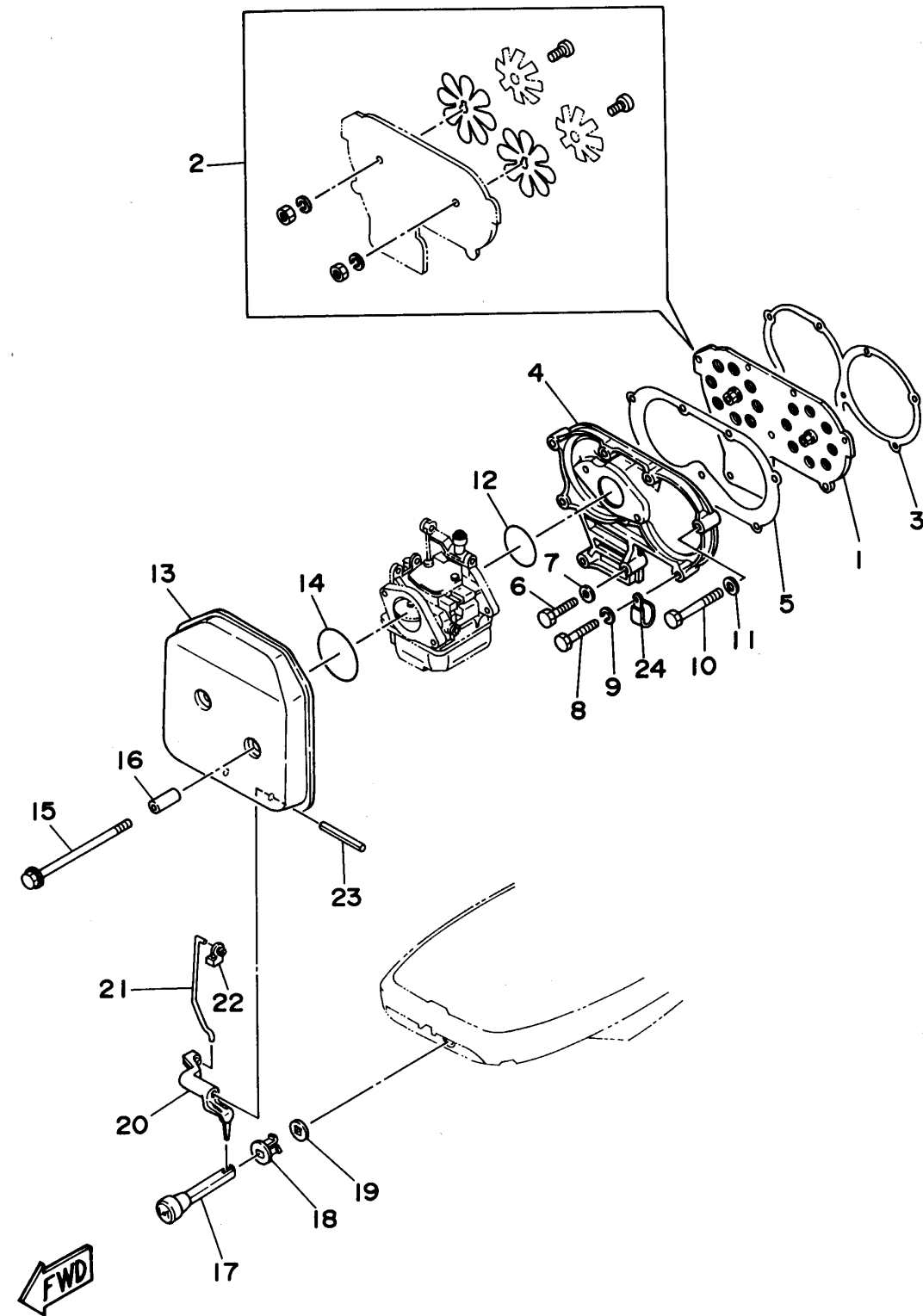
# INTAKE



Ref No.	Part Number	Description	Qty	Remarks
1	689-13610-01-00	REED VALVE ASSEMBLY	1	
2	689-W0004-00-00	. REED SET	1	
3	648-13621-A1-00	GASKET, VALVE SEAT	1	
4	61N-13641-00-94	MANIFOLD 1	1	
5	648-13645-A0-00	GASKET, MANIFOLD 1	1	
6	97095-06025-00	.BOLT	2	
7	92990-06600-00	.WASHER, PLATE	2	
8	97014-06035-00	BOLT, HEXAGON	7	UR M
8	97014-06035-00	BOLT, HEXAGON	6	UR E
9	92990-06600-00	.WASHER, PLATE	6	UR E
9	92990-06600-00	.WASHER, PLATE	7	UR M
10	97313-06050-00	BOLT	1	E
11	92990-06600-00	.WASHER, PLATE	1	E
12	61N-14198-00-00	GASKET	1	
13	61N-14440-00-00	SILENCER ASSEMBLY, INTAKE	1	
14	93210-40659-00	O-RING	1	
15	90119-06M94-00	BOLT, WITH WASHER	2	
16	90387-06M26-00	COLLAR	2	
17	682-41271-00-00	KNOB, CHOKE	1	
18	689-41273-00-00	GROMMET	1	

CONTINUED ON NEXT FRAME >

# INTAKE



Ref No.	Part Number	Description	Qty	Remarks
19	6J8-41274-00-00	GROMMET 2	1	
20	689-41252-01-00	LEVER, CHOKE 1	1	
21	61N-41256-00-00	ROD, CHOKE 1	1	
22	661-41262-02-00	JOINT, CHOKE LEVER	1	
23	91690-40048-00	PIN, SPRING	1	
24	90465-08M51-00	CLAMP	1	