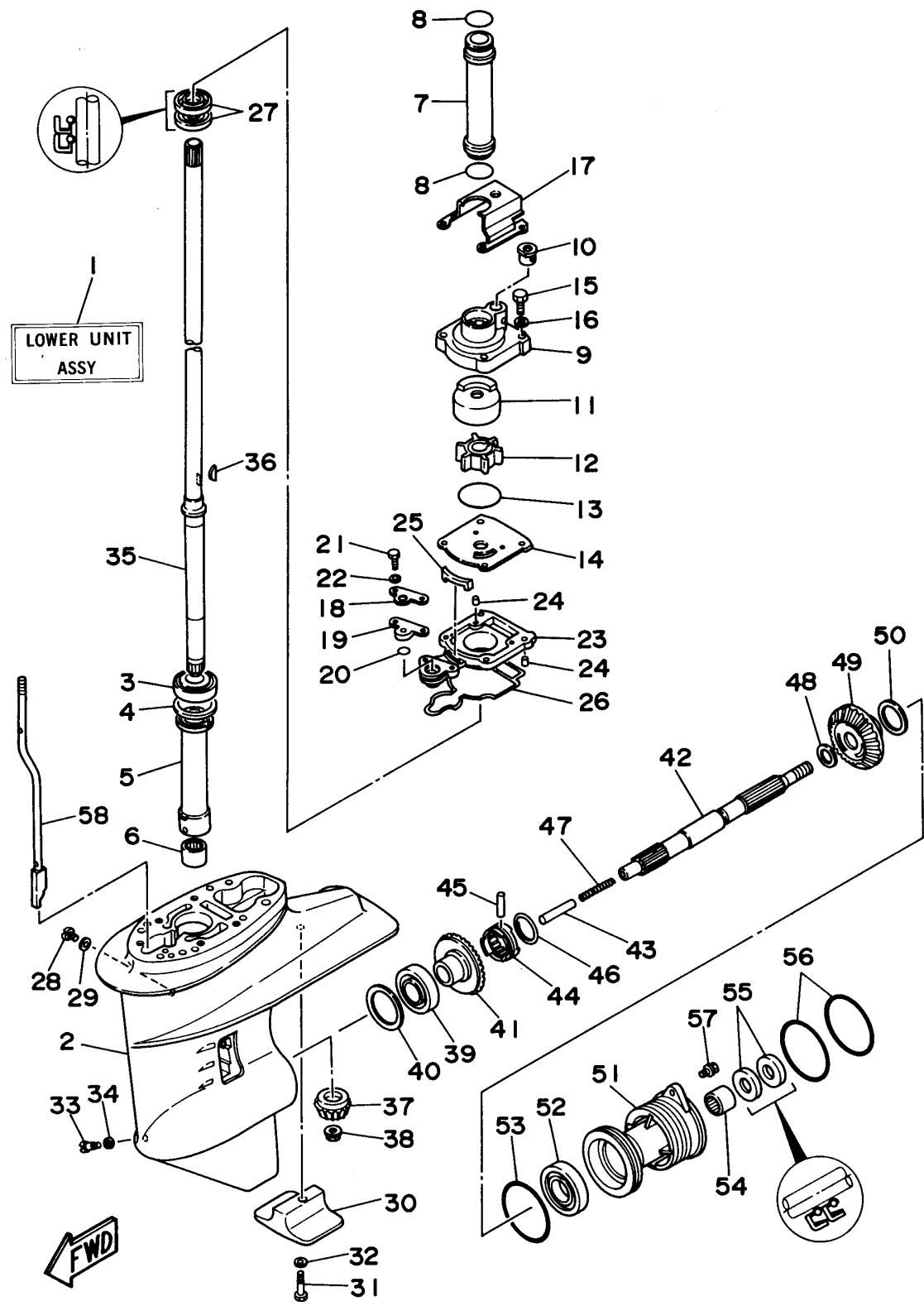


# LOWER CASING DRIVE 1

Ref No.	Part Number	Description	Qty	Remarks
1	61N-45300-10-4D	LOWER UNIT ASSEMBLY (REF. 2~6, 8, 10~60)	1	
2	61N-45311-00-4D	CASING, LOWER	1	
3	93332-000W5-00	BEARING	1	
4	61N-45587-00-07	SHIM (T:0.7MM)	1	UR
4	61N-45587-00-10	SHIM (T:1.0MM)	1	UR
4	61N-45587-00-11	SHIM (T:1.1MM)	1	UR
4	61N-45587-00-12	SHIM (T:1.2MM)	1	UR
4	61N-45587-00-13	SHIM (T:1.3MM)	1	UR
4	61N-45587-00-14	SHIM (T:1.4MM)	1	UR
4	61N-45587-00-15	SHIM (T:1.5MM)	1	UR
4	61N-45587-00-16	SHIM (T:1.6MM)	1	UR
5	61N-45536-00-00	SLEEVE, DRIVE SHAFT	1	
6	93315-220V7-00	BEARING	1	
7	61N-44362-10-00	TUBE, WATER 2	1	
8	93210-26240-00	.O-RING	2	
9	61N-44311-00-00	HOUSING, WATER PUMP	1	
10	6L2-44367-00-00	.DAMPER, WATER SEAL 3	1	
11	61N-44322-00-00	INSERT, CARTRIDGE	1	
12	6H4-44352-02-00	.IMPELLER	1	
13	93210-45161-00	.O-RING	1	

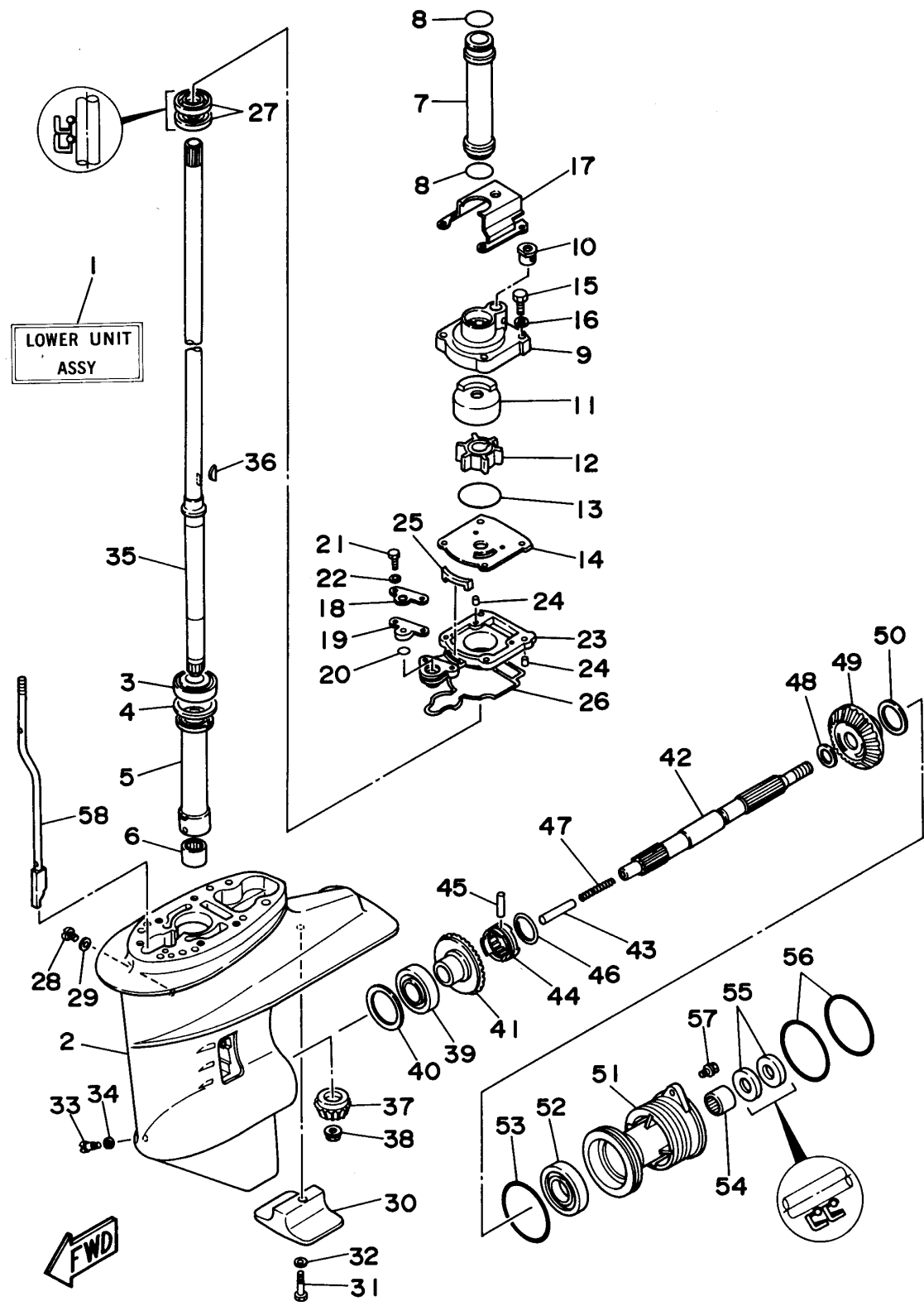
CONTINUED ON NEXT FRAME >



# LOWER CASING DRIVE 1

Ref No.	Part Number	Description	Qty	Remarks
14	61N-44323-00-00	.OUTER PLATE, CARTRIDGE	1	
15	97095-06040-00	.BOLT	4	
16	92990-06600-00	.WASHER, PLATE	4	
17	61N-44328-00-00	PLATE	1	
18	61N-44176-00-00	BRACKET	1	
19	61N-45321-00-00	PLATE	1	
20	93210-06ME6-00	.O-RING	1	
21	97095-06025-00	.BOLT	2	
22	92990-06600-00	.WASHER, PLATE	2	
23	61N-45331-00-5B	HOUSING, BEARING	1	
24	93604-10M03-00	.PIN, DOWEL	3	
25	61N-45127-00-00	SEAL	1	
26	61N-45315-00-00	.PACKING, LOWER CASING	1	
27	93101-22067-00	.OIL SEAL	2	
28	90340-08M04-00	PLUG, STRAIGHT SCREW	1	
29	90430-08020-00	.GASKET	1	
30	61N-45251-00-00	ANODE	1	
31	95895-06035-00	BOLT, FLANGE	1	
32	92990-06300-00	.WASHER, INTERNAL TOOTH	1	
33	688-45341-00-00	PLUG, DRAIN	1	

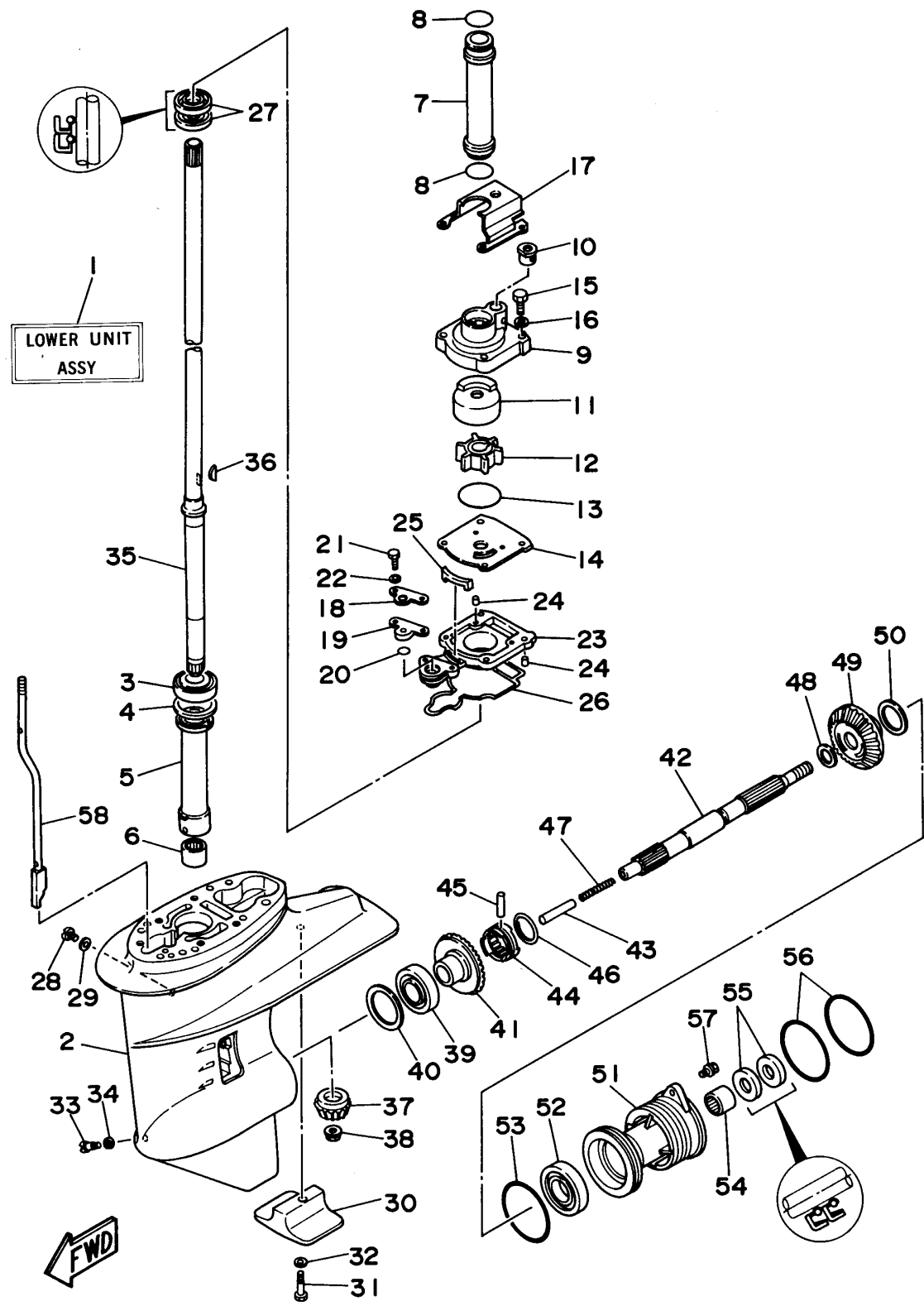
CONTINUED ON NEXT FRAME >



# LOWER CASING DRIVE 1

Ref No.	Part Number	Description	Qty	Remarks
34	90430-08020-00	.GASKET	1	
35	61N-45510-10-00	DRIVE SHAFT ASSY	1	
36	90280-03024-00	.KEY, WOODRUFF	1	
37	61N-45551-00-00	PINION (13T)	1	
38	90179-10M14-00	NUT	1	
39	93332-00005-00	BEARING	1	
40	6L2-45567-00-11	SHIM (T:1.1MM)	1	UR
40	6L2-45567-00-12	SHIM (T:1.2MM)	1	UR
40	6L2-45567-00-14	SHIM (T:1.4MM)	1	UR
40	6L2-45567-00-10	SHIM (T:1.0MM)	1	UR
41	61N-45560-00-00	GEAR	1	
42	6L2-45611-00-00	SHAFT, PROPELLER	1	
43	648-45635-00-00	PLUNGER, SHIFT	1	
44	664-45631-01-00	CLUTCH, DOG	1	
45	90250-05010-00	PIN, STRAIGHT	1	
46	648-45633-00-00	RING, CROSS PIN	1	
47	90501-10065-00	SPRING, COMPRESSION	1	
48	90201-20417-00	WASHER, PLATE	1	
49	61N-45571-00-00	GEAR 2 (27T)	1	
50	6L2-45577-00-12	SHIM (T:1.2MM)	1	UR

CONTINUED ON NEXT FRAME >



# LOWER CASING DRIVE 1

Ref No.	Part Number	Description	Qty	Remarks
50	6L2-45577-00-13	SHIM (T:1.3MM)	1	UR
50	6L2-45577-00-10	SHIM (T:1.0MM)	1	UR
50	6L2-45577-00-11	SHIM (T:1.1MM)	1	UR
51	61N-45361-00-4D	CAP, LOWER CASING	1	
52	93306-00612-00	BEARING	1	
53	93210-64ME7-00	.O-RING	1	
54	93315-22004-00	BEARING	1	
55	93101-20M07-00	.OIL SEAL	2	
56	93210-65M50-00	O-RING	2	
57	97595-06520-00	BOLT, WITH WASHER	2	
58	61N-44150-10-00	SHIFT CAM ASSEMBLY	1	

