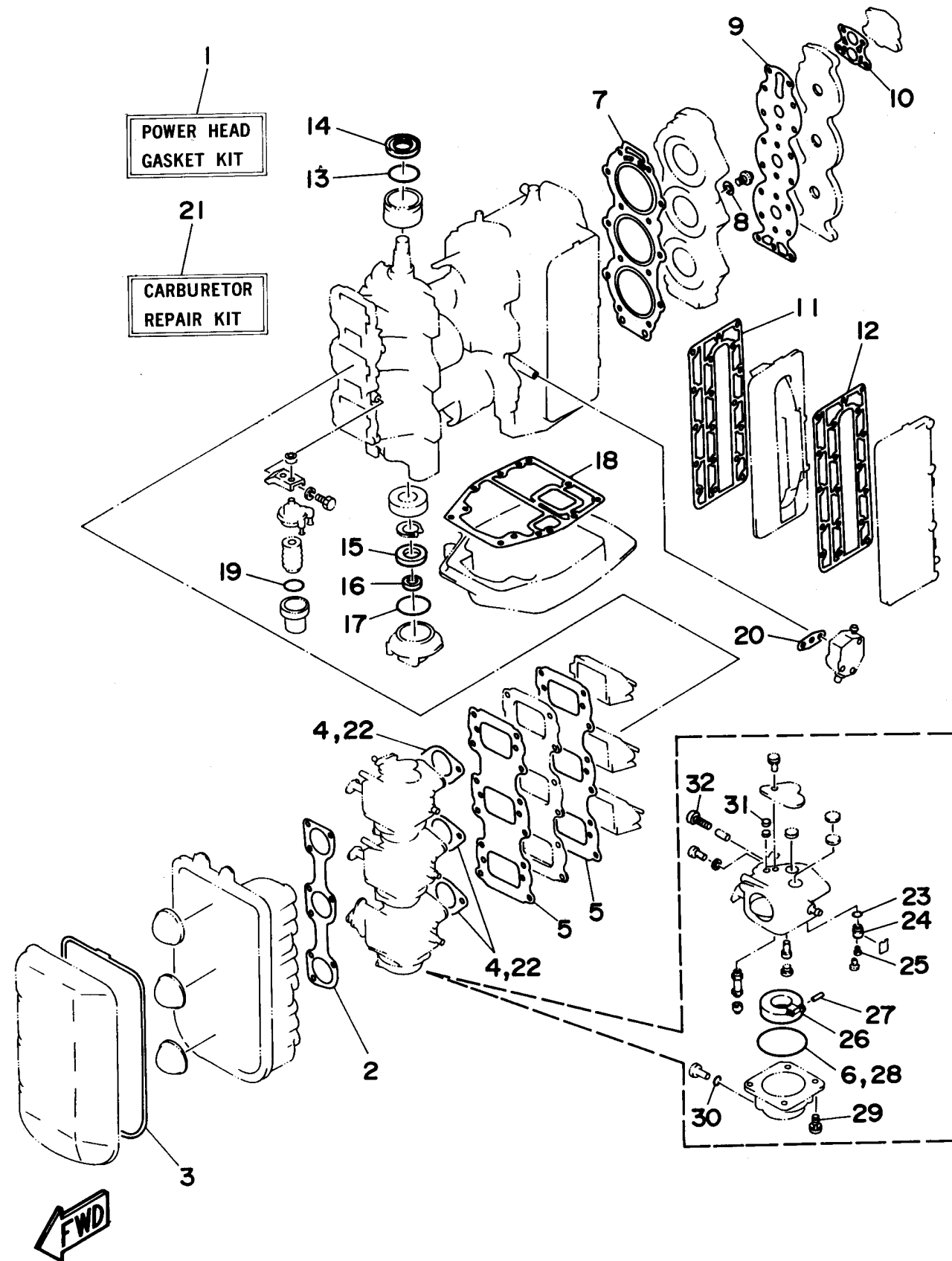


c75\_c85tru

## REPAIR KIT 1

Ref No.	Part Number	Description	Qty	Remarks
1	688-W0001-02-00	POWER HEAD GASKET KIT	1	
2	688-14483-A0-00	. GASKET	1	
3	688-14416-00-00	. GASKET, AIR CLEANER	1	
4	688-14198-A1-00	. GASKET	3	
5	688-13621-A1-00	. .GASKET, VALVE SEAT	2	
6	676-14984-00-00	. GASKET, FLOAT CHAMBER	3	
7	688-11181-A0-00	. GASKET, CYLINDER HEAD 1	1	
8	90430-14115-00	. .GASKET	1	
9	688-11193-A1-00	. GASKET, HEAD COVER 1	1	
10	688-12414-A1-00	. .GASKET, COVER	1	
11	688-41112-A0-00	. GASKET, EXHAUST INNER COVER	1	
12	688-41114-A0-00	. .GASKET, EXHAUST OUTER COVER	1	
13	93210-46M16-00	. .O-RING	1	
14	93102-36M24-00	. OIL SEAL	1	
15	93102-30M05-00	. .OIL SEAL	1	
16	93104-20M02-00	. OIL SEAL	1	
17	93210-62269-00	. O-RING	1	
18	688-45113-A0-00	. GASKET, UPPER CASING	1	
19	93210-32738-00	. .O-RING	1	
20	650-24431-A0-00	. GASKET, FUEL PUMP 1	1	

CONTINUED ON NEXT FRAME >



c75\_c85tru

## REPAIR KIT 1

Ref No.	Part Number	Description	Qty	Remarks
21	6H1-W0093-01-00	CARBURETOR REPAIR KIT	1	
22	688-14198-A1-00	. GASKET	3	
23	93210-04228-00	. O-RING	3	
24	692-14590-00-00	. VALVE SEAT	3	
25	676-14186-00-00	. PIN, FLOAT	3	
26	676-14985-01-00	. FLOAT	3	
27	688-14548-00-00	. PIN, FLOAT ARM	3	
28	676-14984-00-00	. GASKET, FLOAT CHAMBER	3	
29	97980-04114-00	. SCREW, WITH WASHER	3	
30	93210-04230-00	. O-RING	3	
31	663-14126-00-00	. GASKET	3	
32	692-14923-00-00	. SCREW, PILOT	3	

D10