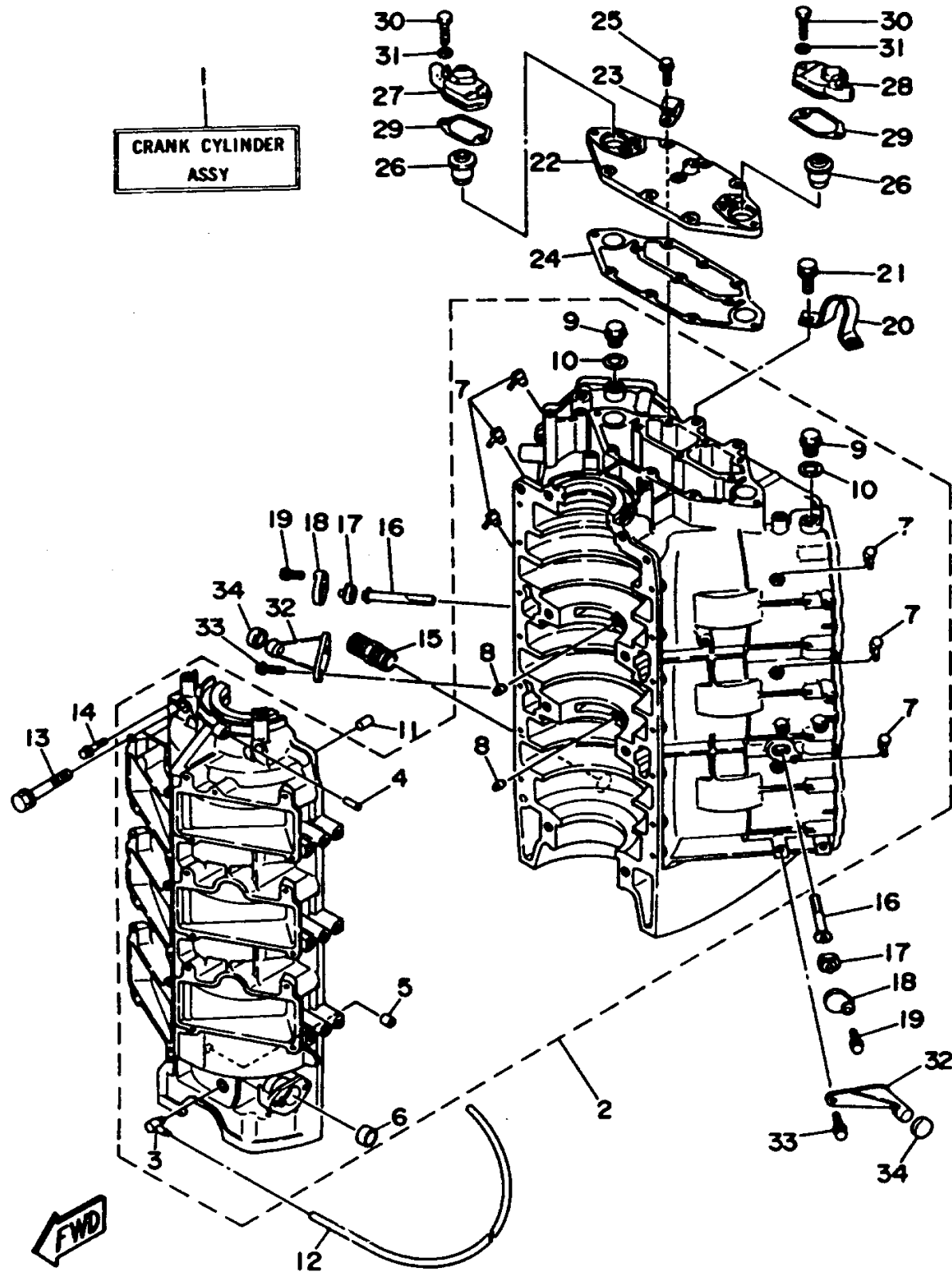


CYLINDER CRANKCASE 1

Ref No.	Part Number	Description	Qty	Remarks
1	61A-W0090-15-4D	CRANK CYLINDER ASSEMBLY (REF. #2-34 & CYLINDER - CRANK)	1	UR 250/L250
1	62J-W0090-03-4D	CRANK CYLINDER ASSEMBLY (REF. #2-34 & CYLINDER - CRANK)	1	UR 225/L225
2	62J-15100-02-94	CRANKCASE ASSEMBLY	1	UR 225/L225
2	61A-15100-03-94	CRANKCASE ASSEMBLY	1	UR 250/L250
3	6E5-11372-00-00	..NIPPLE, HOSE	1	
4	624-14485-00-00	..PIPE, JOINT	1	
5	90384-06M07-00	..BUSH, BIMETAL FORMED	1	
6	90383-16M01-00	..BUSH, FORMED	1	
7	6E5-11372-00-00	..NIPPLE, HOSE	6	
8	663-11518-01-00	..LOCK, BEARING	2	
9	90340-14M00-00	..PLUG, STRAIGHT SCREW	2	
10	90430-14115-00	..GASKET	2	
11	93608-12063-00	PIN, DOWEL	2	
12	90445-07M11-00	HOSE (L610)	1	
13	90105-10M62-00	BOLT, FLANGE	8	
14	90119-06M13-00	BOLT, WITH WASHER	14	
15	6G5-12581-00-00	JOINT, HOSE 1	1	
16	61A-11325-00-00	ANODE	2	
17	6H3-11328-00-00	GROMMET, ANODE	2	
18	6H3-11327-00-94	COVER, ANODE	2	

CONTINUED ON NEXT FRAME >



CYLINDER CRANKCASE 1

Ref No.	Part Number	Description	Qty	Remarks
19	97514-06516-00	BOLT, WITH WASHER (97513-06516-00)	2	
20	6E5-11119-00-00	HANGER, ENGINE	1	
21	97513-08520-00	BOLT, WITH WASHER	2	
22	61A-11371-00-9M	COVER	1	
23	90465-08028-00	CLAMP	2	
24	61A-11381-A0-00	.GASKET 1	1	
25	97513-06520-00	BOLT, WITH WASHER	7	
26	6E5-12411-20-00	THERMOSTAT	2	
27	61A-12413-00-9M	COVER, THERMOSTAT	1	
28	61A-12413-10-9M	COVER, THERMOSTAT	1	
29	61A-12414-A0-00	.GASKET, COVER	2	
30	97014-06035-00	BOLT, HEXAGON	4	
31	92990-06600-00	.WASHER, PLATE	4	
32	6E5-42761-00-94	STOPPER	2	
33	97513-06520-00	BOLT, WITH WASHER	4	
34	663-44533-00-00	DAMPER, UPPER MOUNT RUBBER	2	

