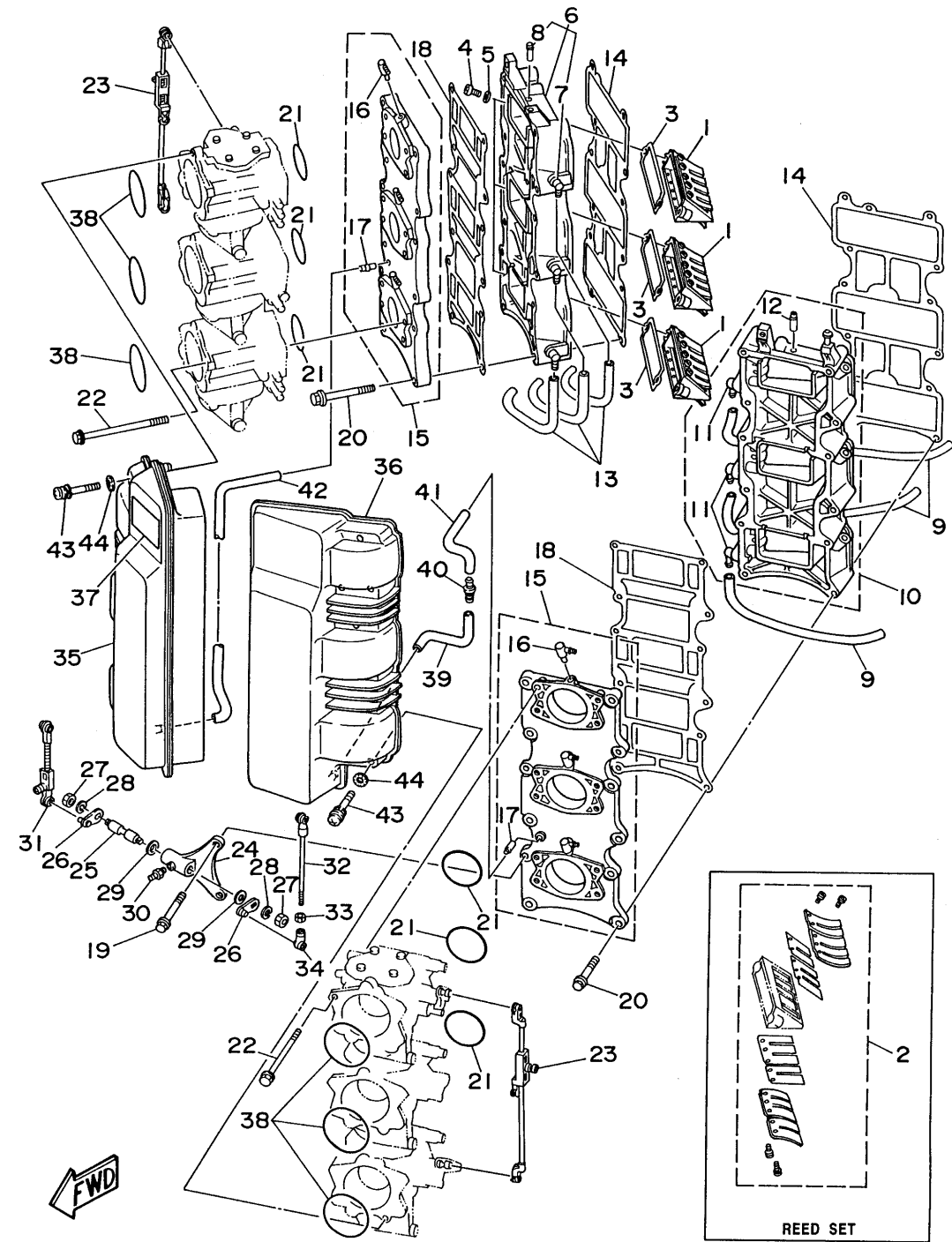


INTAKE

Ref No.	Part Number	Description	Qty	Remarks
1	61A-13610-01-00	REED VALVE ASSEMBLY	6	
2	61A-W0004-01-00	. REED SET	1	
3	61A-13621-A0-00	.GASKET, VALVE SEAT	6	
4	98580-05016-00	SCREW, PAN HEAD	12	
5	92990-05600-00	WASHER, PLATE	12	
6	61A-13624-20-94	PLATE, REED VALVE	1	UR 250/L250
6	61A-13624-00-94	PLATE, REED VALVE	1	UR 225/L225
7	6E5-11372-00-00	. .NIPPLE, HOSE	3	
8	652-24461-00-00	. PIPE, JOINT 4	1	
9	90445-07M20-00	HOSE	3	
10	61A-13624-30-94	PLATE, REED VALVE	1	UR 250/L250
10	61A-13624-10-94	PLATE, REED VALVE	1	UR 225/L225
11	6E5-11372-00-00	. .NIPPLE, HOSE	3	
12	652-24461-00-00	. PIPE, JOINT 4	1	
13	90445-07M45-00	HOSE (L340)	3	
14	61A-13646-00-00	GASKET, MANIFOLD 2	2	
15	61A-13641-00-94	MANIFOLD 1	2	
16	61A-13552-00-00	. NOZZLE	3	
17	624-14485-00-00	. .PIPE, JOINT	1	
18	61A-13645-00-00	GASKET, MANIFOLD 1	2	

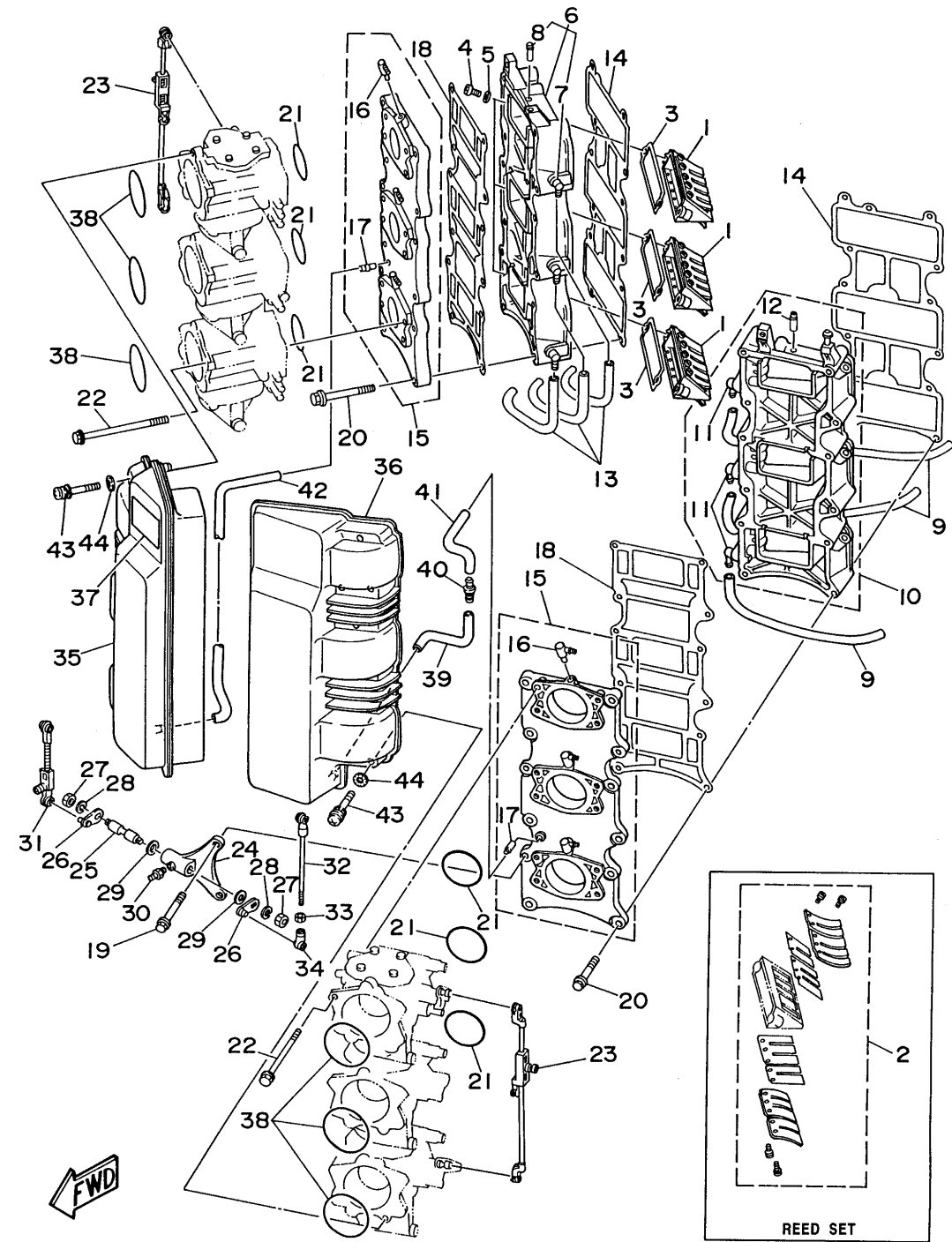
CONTINUED ON NEXT FRAME >



INTAKE

Ref No.	Part Number	Description	Qty	Remarks
19	97513-06570-00	BOLT, WITH WASHER	2	
20	97513-06565-00	BOLT, WITH WASHER	22	
21	93210-50MA8-00	O-RING	6	
22	90105-06M55-00	BOLT, WASHER BASED	24	
23	61A-41217-01-00	ROD, ACCEL. LEVER	2	
24	61A-41663-00-00	BRACKET 3	1	
25	61A-41242-00-00	ROD 2	1	
26	61A-41280-00-00	ACCEL. LEVER ASSEMBLY	2	
27	95380-06600-00	NUT, HEXAGON	2	
28	92995-06100-00	WASHER, SPRING	2	
29	90202-08M41-00	WASHER, PLATE	2	
30	93700-06M03-00	NIPPLE, GREASE	1	
31	61A-41211-01-00	LINK, ACCEL.	1	
32	6J8-41237-00-00	JOINT, LINK	1	
33	95380-05600-00	.NUT	1	
34	6H4-41237-00-00	JOINT, LINK	1	
35	61A-14440-03-00	SILENCER ASSEMBLY, INTAKE	1	
36	61A-14440-10-00	SILENCER ASSEMBLY, INTAKE	1	
37	61A-1441K-01-00	EMBLEM	1	
38	93210-60ME8-00	O-RING	6	

CONTINUED ON NEXT FRAME >



INTAKE

Ref No.	Part Number	Description	Qty	Remarks
39	90445-07M32-00	HOSE (L120)	1	
40	6E5-13132-00-00	JOINT	1	
41	90445-07M08-00	HOSE (L220)	1	
42	90445-07M44-00	HOSE (L250)	1	
43	90159-06M16-00	SCREW, WITH WASHER	18	
44	90209-06M05-00	WASHER	18	