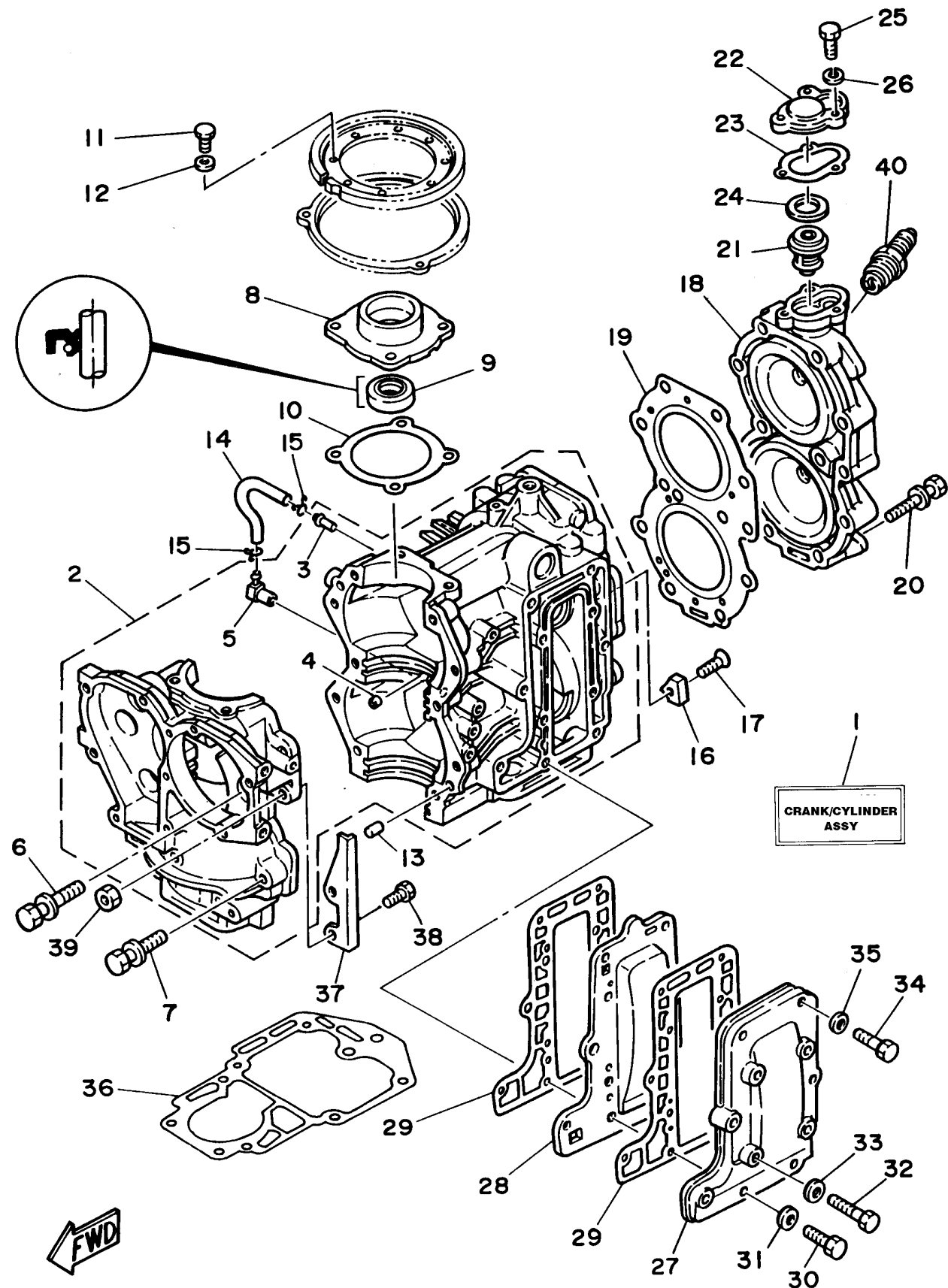


CYLINDER CRANKCASE

Ref No.	Part Number	Description	Qty	Remarks
1	695-W0090-84-4D	CRANK CYLINDER ASSEMBLY (REF. #2-39; CRANKSHAFT- PISTO)	1	
2	695-15100-02-94	CRANKCASE ASSEMBLY	1	
3	624-14485-00-00	..PIPE, JOINT	1	
4	624-11379-00-00	..VALVE, CHECK	1	
5	650-11370-00-00	. CHECK VALVE ASSY	1	
6	90119-08M18-00	BOLT, WITH WASHER	2	
7	90119-08M20-00	BOLT, WITH WASHER	8	
8	664-15359-01-94	HOUSING, OIL SEAL	1	
9	93102-23096-00	OIL SEAL	1	
10	664-15369-A0-00	GASKET, OIL SEAL HOUSING	1	
11	97095-06020-00	BOLT	4	
12	92995-06100-00	WASHER, SPRING	4	
13	93606-12019-00	PIN, DOWEL	2	
14	90445-07260-00	HOSE (L276)	1	
15	90467-06016-00	CLIP	2	
16	689-11325-00-00	ANODE	1	
17	98780-06020-00	SCREW, FLAT HEAD	1	
18	695-11111-01-94	HEAD, CYLINDER 1	1	
19	695-11181-A1-00	GASKET, CYLINDER HEAD 1	1	
20	90119-08M18-00	BOLT, WITH WASHER	11	

CONTINUED ON NEXT FRAME >



CYLINDER CRANKCASE

Ref No.	Part Number	Description	Qty	Remarks
21	6F5-12411-02-00	THERMOSTAT	1	
22	655-12413-01-9M	COVER, THERMOSTAT	1	
23	655-12414-A1-00	GASKET, COVER	1	
24	90201-21567-00	WASHER, PLATE	1	
25	97095-06020-00	BOLT	3	
26	92990-06600-00	.WASHER, PLATE	3	
27	664-41113-00-94	OUTER COVER, EXHAUST	1	
28	664-41111-00-00	INNER COVER, EXHAUST	1	
29	664-41114-A0-00	GASKET, EXHAUST OUTER COVER	2	
30	97095-06025-00	.BOLT	1	
31	92990-06600-00	.WASHER, PLATE	1	
32	97095-06030-00	BOLT	6	
33	92990-06600-00	.WASHER, PLATE	6	
34	97014-06035-00	BOLT, HEXAGON	4	
35	92990-06600-00	.WASHER, PLATE	4	
36	689-45113-A1-00	GASKET, UPPER CASING	1	
37	695-41616-00-00	STOPPER, MAGNETO BASE	1	
38	97095-06020-00	BOLT	2	
39	95380-06600-00	NUT, HEXAGON	2	
40	NGK-B7HS0-00-00	NGK SPARK PLUG B7HS	2	