

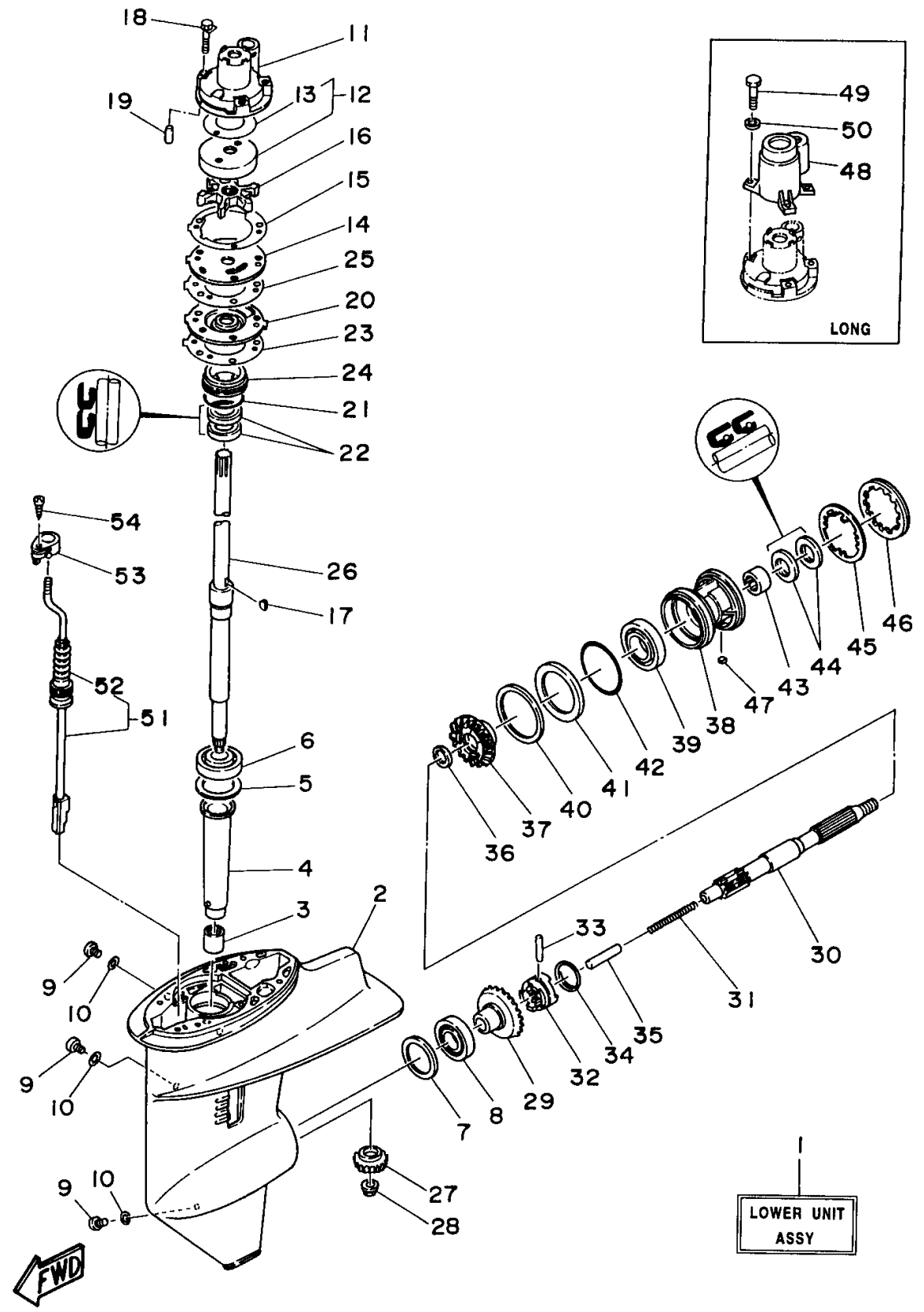
LOWER CASING DRIVE 1

Ref No.	Part Number	Description	Qty	Remarks
1	689-45300-16-4D	LOWER UNIT ASSEMBLY (REF. #2~17, 19~54)	1	
1	689-45300-06-4D	LOWER UNIT ASSEMBLY (REF. #2~47, 51~54)	1	
2	689-45311-04-4D	CASING, LOWER	1	
3	93315-017U4-00	BEARING, CYLINDRICAL	1	
4	689-45536-00-00	SLEEVE, DRIVE SHAFT	1	
5	664-45587-01-15	SHIM (T:0.15MM)	1	UR
5	664-45587-01-10	SHIM (T:0.10MM)	1	UR
5	664-45587-01-50	SHIM (T:0.50MM)	1	UR
5	664-45587-01-30	SHIM (T:0.30MM)	1	UR
5	664-45587-01-12	SHIM (T:0.12MM)	1	UR
5	664-45587-01-18	SHIM (T:0.18MM)	1	UR
5	664-45587-01-40	SHIM (T:0.40MM)	1	UR
6	93332-000U4-00	BEARING	1	
7	664-45567-01-30	SHIM (T:0.30MM)	1	UR
7	664-45567-01-50	SHIM (T:0.50MM)	1	UR
7	664-45567-01-12	SHIM (T:0.12MM)	1	UR
7	664-45567-01-10	SHIM (T:0.10MM)	1	UR
7	664-45567-01-15	SHIM (T:0.15MM)	1	UR
7	664-45567-01-18	SHIM (T:0.18MM)	1	UR
7	664-45567-01-40	SHIM (T:0.40MM)	1	UR

CONTINUED ON NEXT FRAME >

LOWER CASING DRIVE 1

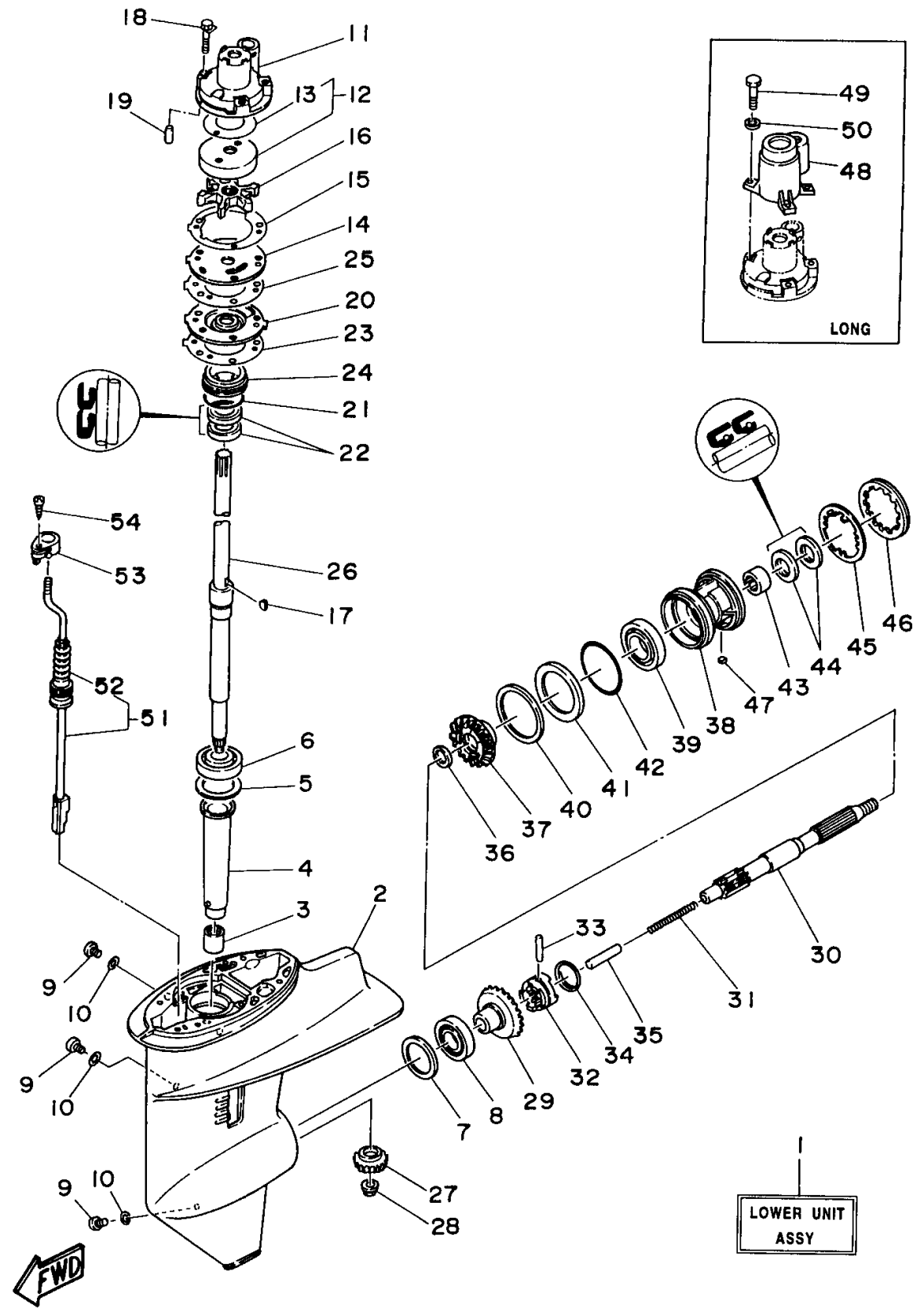
Ref No.	Part Number	Description	Qty	Remarks
8	93332-00005-00	BEARING	1	
9	90340-08M04-00	PLUG, STRAIGHT SCREW	3	
10	90430-08020-00	.GASKET	3	
11	689-44311-03-00	HOUSING, WATER PUMP	1	
12	689-W4432-02-00	INSERT CARTRIDGE COMP	1	
13	689-44367-01-00	. DAMPER, WATER SEAL	1	
14	689-44323-03-00	OUTER PLATE, CARTRIDGE	1	
15	689-44324-A0-00	GASKET, CARTRIDGE	1	
16	689-44352-02-00	IMPELLER	1	
17	664-44338-00-00	.KEY, WOODRUFF	1	
18	90119-06M07-00	BOLT, WITH WASHER	3	
19	93604-10M03-00	.PIN, DOWEL	2	
20	689-44325-02-5B	PROTECTOR, OIL SEAL	1	
21	93210-40M10-00	O-RING	1	
22	93101-22067-00	.OIL SEAL	2	
23	689-44315-A0-00	GASKET, WATER PUMP	1	
24	689-45344-00-94	COVER, OIL SEAL	1	
25	689-44316-A0-00	GASKET, WATER PUMP	1	
26	689-45501-00-00	DRIVE SHAFT COMP.	1	UR SHORT
26	689-45501-10-00	DRIVE SHAFT COMP.	1	UR LONG



CONTINUED ON NEXT FRAME >

LOWER CASING DRIVE 1

Ref No.	Part Number	Description	Qty	Remarks
27	689-45551-00-00	PINION	1	
28	90179-09M02-00	NUT	1	
29	689-45560-00-00	GEAR	1	
30	689-45611-01-00	SHAFT, PROPELLER	1	
31	90501-10065-00	SPRING, COMPRESSION	1	
32	664-45631-01-00	CLUTCH, DOG	1	
33	90250-05010-00	PIN, STRAIGHT	1	
34	648-45633-00-00	RING, CROSS PIN	1	
35	648-45635-00-00	PLUNGER, SHIFT	1	
36	90201-20417-00	WASHER, PLATE	1	
37	689-45571-00-00	GEAR	1	
38	689-45331-01-94	HOUSING, BEARING	1	
39	93306-00612-00	BEARING	1	
40	664-45577-01-12	SHIM (T:0.12MM)	1	UR
40	664-45577-01-30	SHIM (T:0.30MM)	1	UR
40	664-45577-01-50	SHIM (T:0.50MM)	1	UR
40	664-45577-01-10	SHIM (T:0.10MM)	1	UR
40	664-45577-01-15	SHIM (T:0.15MM)	1	UR
40	664-45577-01-18	SHIM (T:0.18MM)	1	UR
40	664-45577-01-40	SHIM (T:0.40MM)	1	UR



CONTINUED ON NEXT FRAME >

LOWER CASING DRIVE 1

Ref No.	Part Number	Description	Qty	Remarks
41	664-45576-00-00	WASHER, THRUST	1	UN
42	93210-60MA3-00	.O-RING	1	
43	93315-22004-00	BEARING	1	
44	93101-20M07-00	.OIL SEAL	2	
45	90214-45M02-00	WASHER, CLAW	1	
46	664-45384-00-00	NUT	1	
47	90282-04010-00	KEY, STRAIGHT	1	
48	689-44312-00-5B	COVER, WATER PUMP HOUSING	1	LONG
49	92990-06600-00	.WASHER, PLATE	3	LONG
50	97095-06035-00	BOLT	3	LONG
51	695-44150-10-00	SHIFT CAM ASSEMBLY	1	UR LONG
51	695-44150-00-00	SHIFT CAM ASSEMBLY	1	UR SHORT
52	664-44147-00-00	.BOOT, SHIFT ROD	1	
53	689-44176-01-00	BRACKET	1	
54	97780-50110-00	SCREW, PAN HEAD	1	

