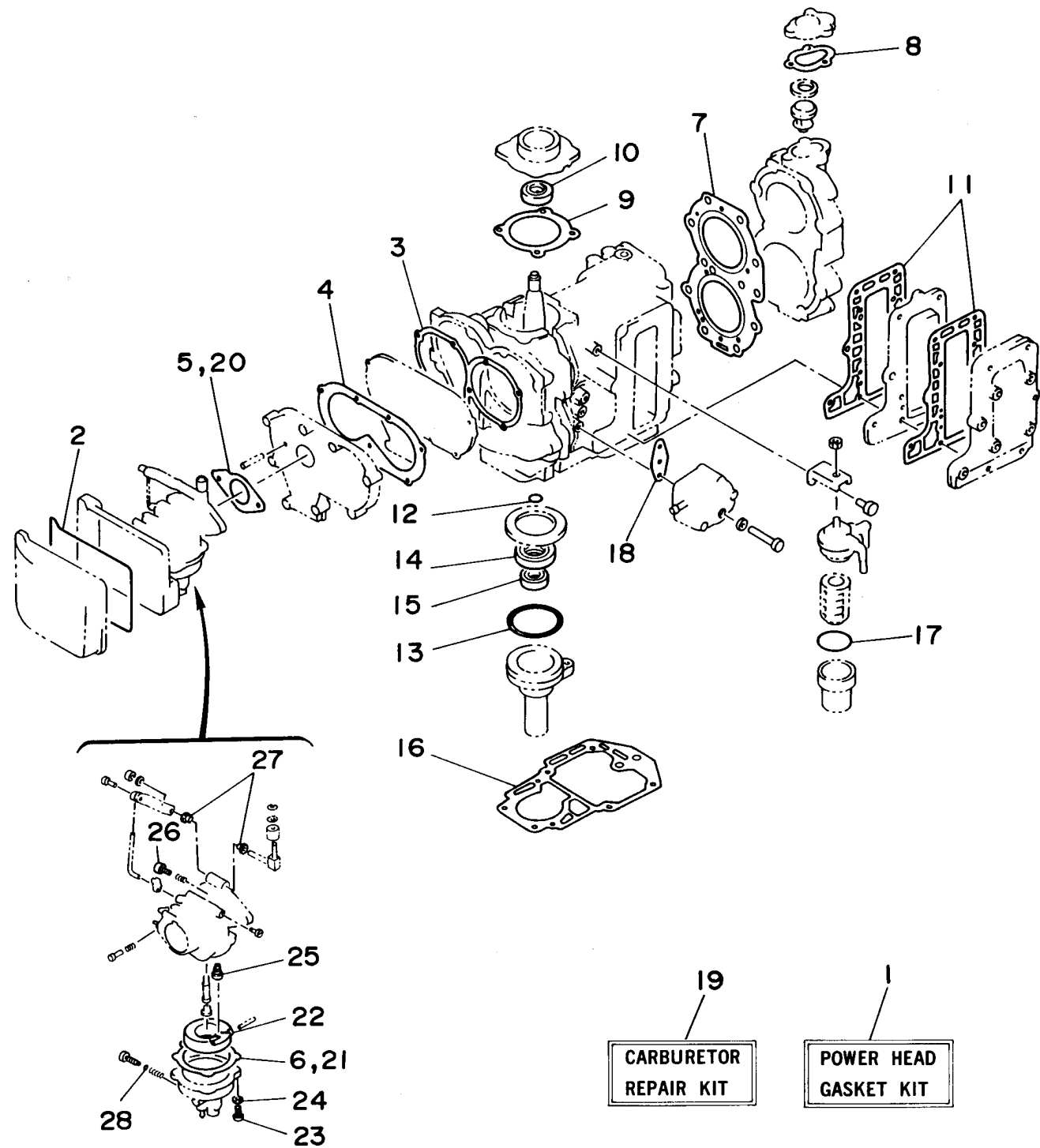


REPAIR KIT 1

Ref No.	Part Number	Description	Qty	Remarks
1	695-W0001-03-00	POWER HEAD GASKET KIT	1	
2	93211-62M24-00	. O-RING	1	
3	648-13621-A1-00	. GASKET, VALVE SEAT	1	
4	648-13645-A0-00	. GASKET, MANIFOLD 1	1	
5	648-14198-A0-00	. GASKET	1	
6	648-14384-01-00	. GASKET, FLOAT CHAMBER	1	
7	695-11181-A1-00	. GASKET, CYLINDER HEAD 1	1	
8	655-12414-A1-00	. GASKET, COVER	1	
9	664-15369-A0-00	. GASKET, OIL SEAL HOUSING	1	
10	93102-23096-00	. OIL SEAL	1	
11	664-41114-A0-00	. GASKET, EXHAUST OUTER COVER	2	
12	93210-16275-00	. .O-RING	1	
13	93210-57M09-00	. .O-RING	1	
14	93101-25M35-00	. OIL SEAL	1	
15	93101-16M36-00	. OIL SEAL	1	
16	689-45113-A1-00	. GASKET, UPPER CASING	1	
17	93210-32738-00	. .O-RING	1	
18	650-24431-A0-00	. GASKET, FUEL PUMP 1	1	
19	689-W0093-02-00	CARBURETOR REPAIR KIT	1	
20	648-14198-A0-00	. GASKET	1	

CONTINUED ON NEXT FRAME >





REPAIR KIT 1

Ref No.	Part Number	Description	Qty	Remarks
21	648-14384-01-00	. GASKET, FLOAT CHAMBER	1	
22	648-14385-00-00	. FLOAT	1	
23	98517-04012-00	. .SCREW, PAN HEAD	4	
24	92990-04100-00	. .WASHER, SPRING	4	
25	61K-14390-00-00	. NEEDLE VALVE ASSEMBLY	1	
26	647-14323-00-00	. .SCREW, AIR ADJUSTING	1	
27	90386-05002-00	. BUSH	2	
28	646-14397-00-00	. O-RING	1	