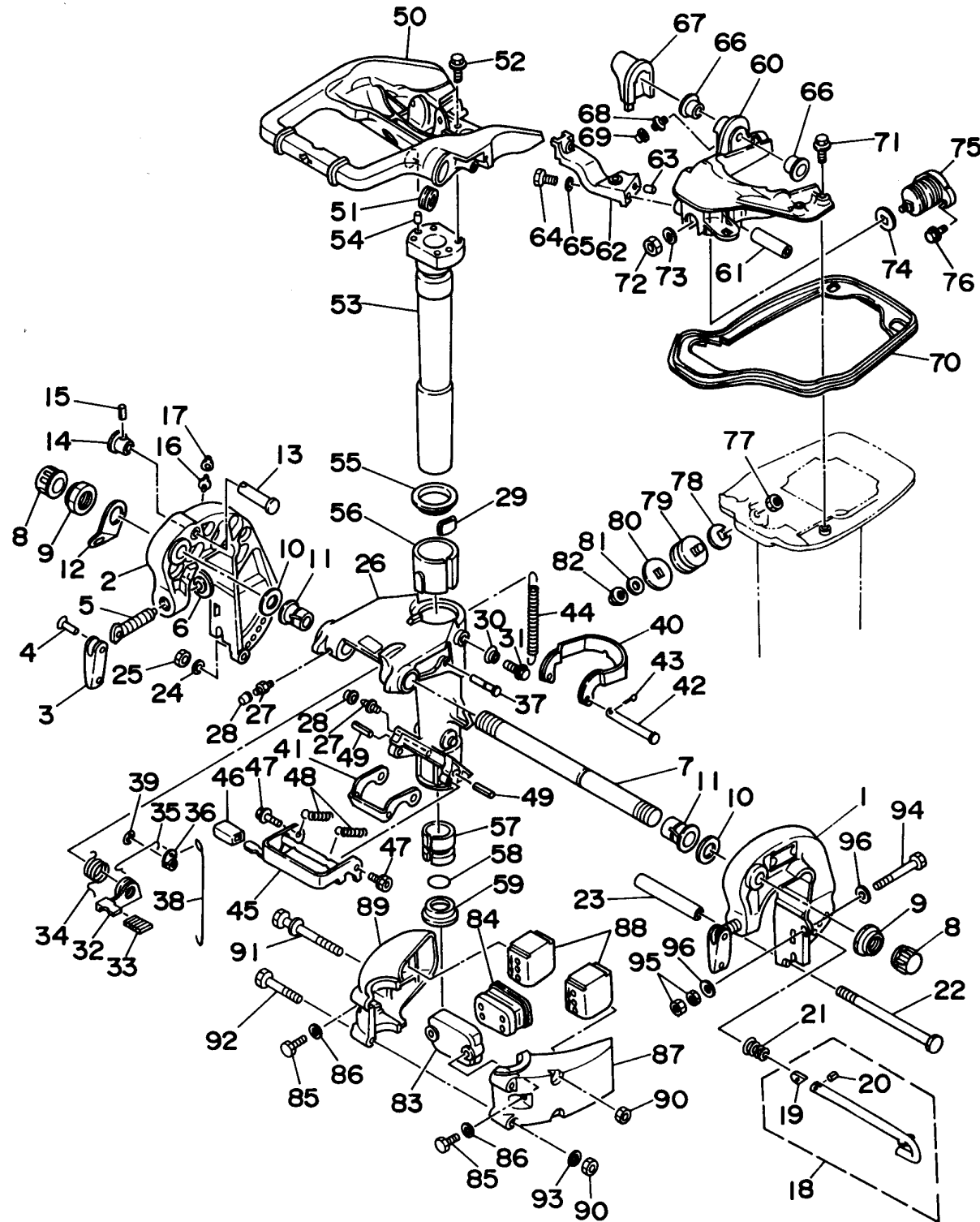


# BRACKET 1

Ref No.	Part Number	Description	Qty	Remarks
1	689-43111-03-4D	BRACKET, CLAMP	1	
2	689-43112-02-4D	BRACKET, CLAMP	1	
3	6E0-43118-01-00	HANDLE, TRANSOM CLAMP	2	
4	90243-04M01-00	PIN	2	
5	6E7-43116-00-00	SCREW, TRANSOM CLAMP	2	
6	648-43114-01-00	PAD, TRANSOM CLAMP	2	
7	6J8-43131-01-00	BOLT, CLAMP BRACKET	1	
8	6G5-43145-00-00	CAP, CLAMP BRACKET	2	
9	90185-22M11-00	NUT, SELF-LOCKING	2	
10	90201-22M03-00	WASHER, PLATE	2	
11	90386-22M67-00	BUSH	2	
12	6J8-43113-01-00	PLATE, CLAMP BRACKET	1	
13	689-43191-00-00	SHAFT, STOPPER	1	
14	689-43192-01-00	KNOB, STOPPER	1	
15	91690-30016-00	PIN, SPRING	1	
16	93700-06M03-00	NIPPLE, GREASE	1	
17	663-45119-00-00	CAP, GREASE NIPPLE	1	AP
18	689-43160-00-00	TILT ROD ASSY	1	
19	689-43165-00-00	..PLATE, TILT LOCK	1	
20	91690-30008-00	..PIN, SPRING	1	

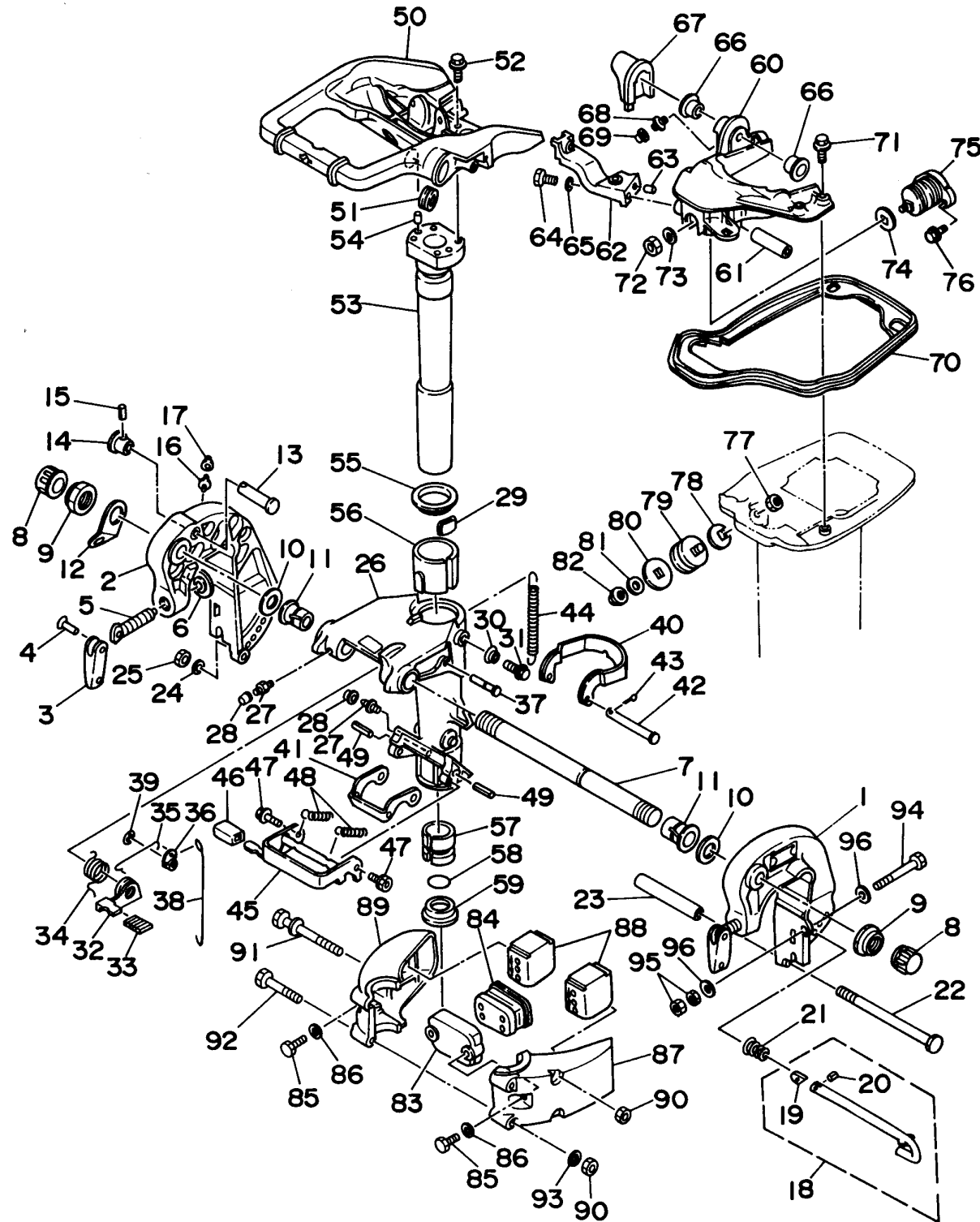
CONTINUED ON NEXT FRAME >



# BRACKET 1

Ref No.	Part Number	Description	Qty	Remarks
21	90502-10M07-00	SPRING, CONICAL	1	
22	90101-08339-00	BOLT	1	
23	90387-08M03-00	COLLAR	1	
24	92990-08600-00	..WASHER, PLATE	1	
25	95380-08600-00	NUT	1	
26	689-43311-03-4D	BRACKET, SWIVEL	1	
27	93700-06M03-00	NIPPLE, GREASE	3	
28	663-45119-00-00	CAP, GREASE NIPPLE	3	AP
29	648-42528-00-00	PLATE, FRICTION	1	
30	689-43373-01-00	SEAL, DAMPER	1	
31	90105-06M18-00	BOLT, FLANGE	1	
32	689-43631-00-00	LEVER, TILT	1	
33	689-43633-00-00	..COVER, TILT LEVER	1	
34	689-43643-00-00	SPRING	1	
35	689-43616-00-00	ROD, TILT LOCK	1	
36	648-43642-00-00	LEVER, TILT 1	1	
37	90249-06M22-00	PIN	1	
38	648-43617-00-00	ROD, TILT LOCK	1	
39	99080-05600-00	CIRCLIP	1	
40	689-43614-00-00	PLATE, TILT LOCK	1	

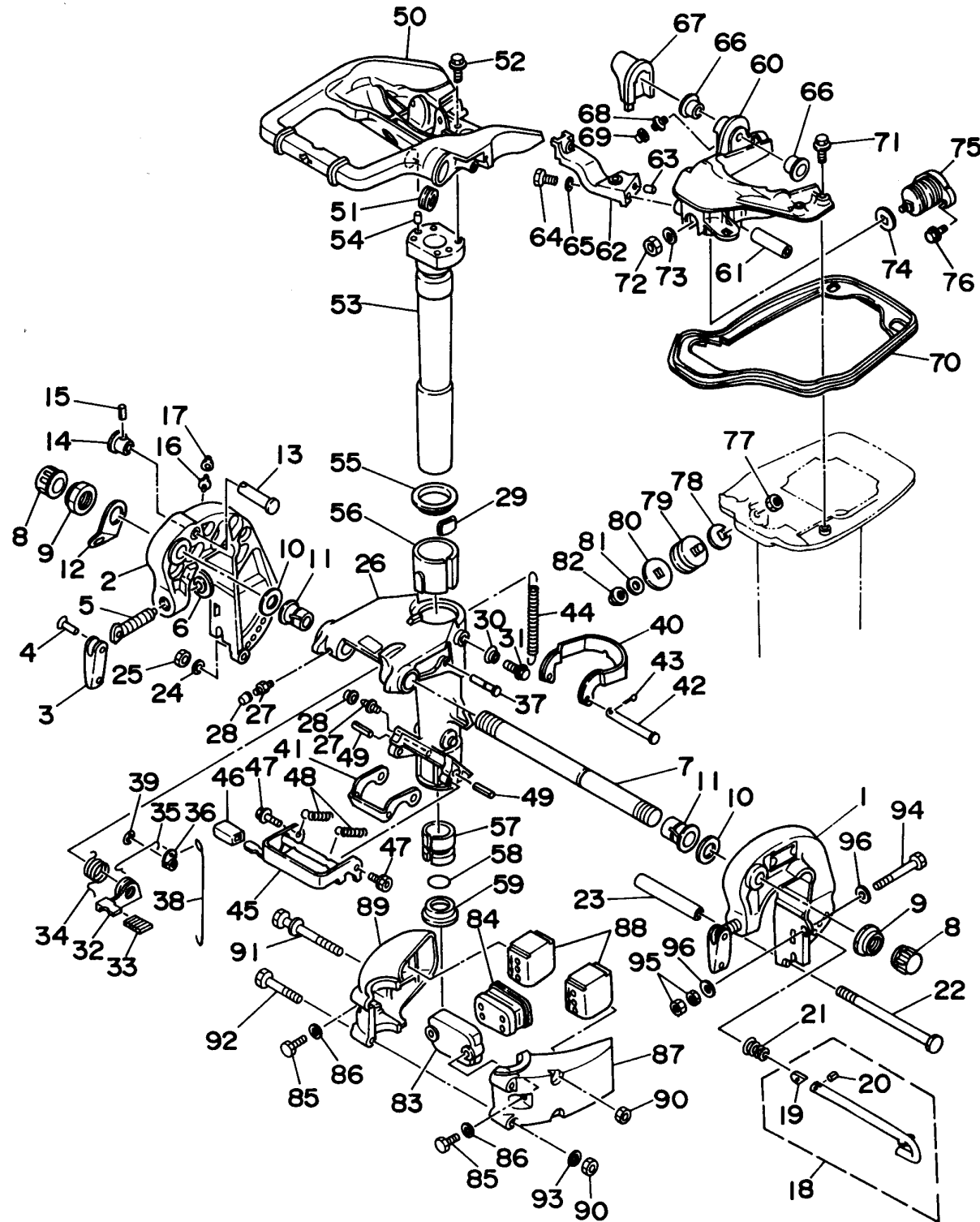
CONTINUED ON NEXT FRAME >



# BRACKET 1

Ref No.	Part Number	Description	Qty	Remarks
41	648-43615-00-00	PLATE, TILT LOCK	1	
42	90240-05046-00	PIN, CLEVIS	1	
43	91490-16010-00	PIN, COTTER	1	
44	90506-30M27-00	SPRING, TENSION	1	
45	689-43681-01-00	LEVER, SHALLOW WATER DRIVE	1	
46	682-43318-01-00	COVER	1	
47	90109-06M18-00	BOLT	2	
48	90506-16M17-00	SPRING, TENSION	2	
49	91690-40035-00	PIN, SPRING	2	
50	689-42511-01-4D	BRACKET, STEERING	1	
51	90480-29045-00	GROMMET	1	FOR MANUAL STEERING
52	90105-06M07-00	.BOLT, FLANGE	4	
53	689-42521-00-94	SHAFT, STEERING PIVOT	1	
54	93608-12063-00	PIN, DOWEL	2	
55	90209-47016-00	WASHER	1	
56	90386-47M22-00	BUSH	1	
57	90386-38090-00	BUSH	1	
58	93210-37M67-00	O-RING	1	
59	90386-38022-00	BUSH	1	
60	648-44518-00-94	BRACKET COMP.	1	

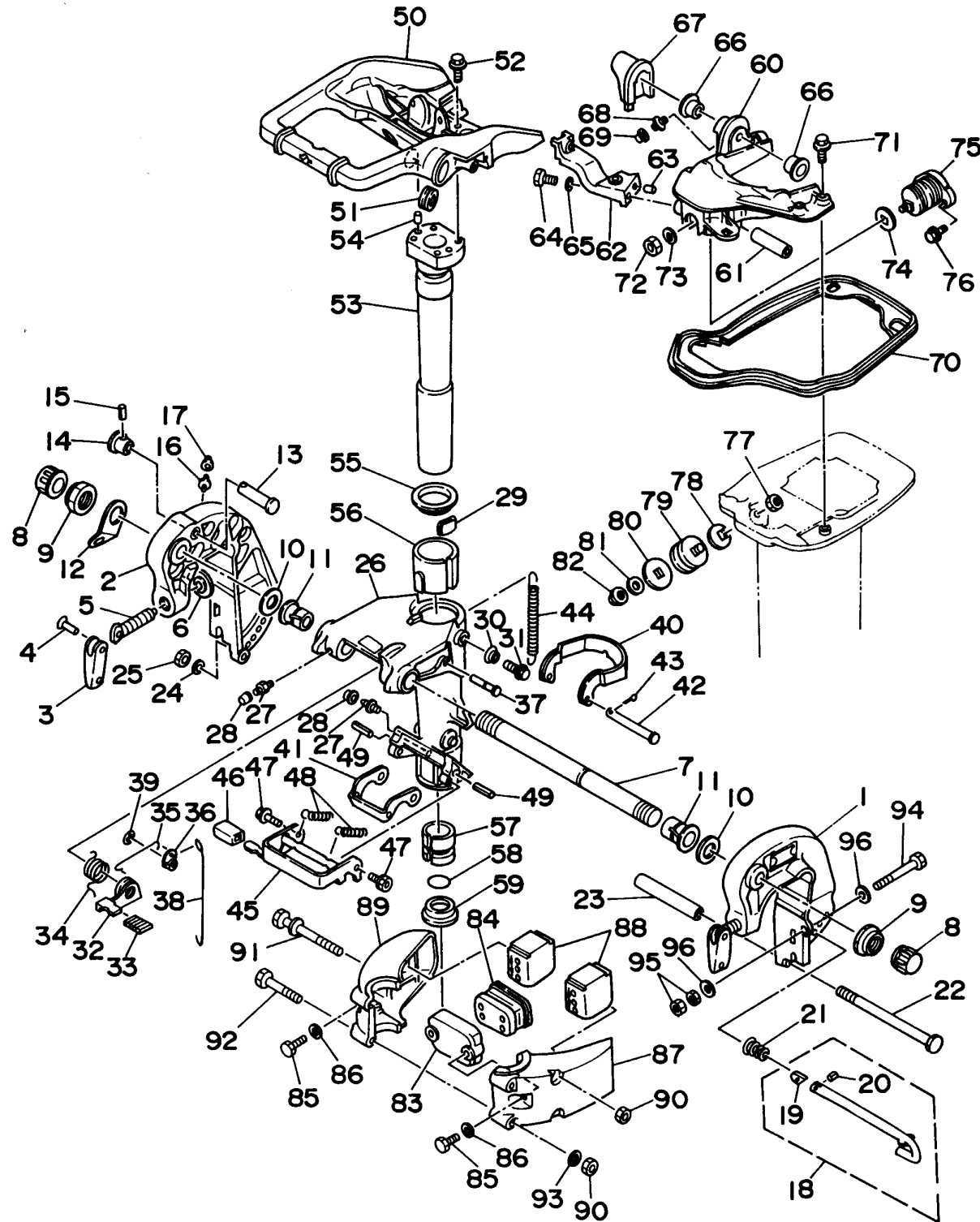
CONTINUED ON NEXT FRAME >



# BRACKET 1

Ref No.	Part Number	Description	Qty	Remarks
61	90387-10M39-00	COLLAR	1	
62	648-44519-00-94	BRACKET	1	
63	93606-12019-00	.PIN, DOWEL	1	
64	97080-06018-00	BOLT	1	
65	92990-06600-00	WASHER, PLATE	1	
66	90381-12M01-00	BUSH, SOLID	2	
67	689-42718-00-00	RUBBER, SEAL 3	1	
68	93700-06M03-00	NIPPLE, GREASE	1	
69	663-45119-00-00	CAP, GREASE NIPPLE	1	AP
70	689-42716-00-00	RUBBER, SEAL 1	1	
71	90105-06M08-00	BOLT, FLANGE	4	
72	95380-10600-00	NUT	1	
73	92990-10200-00	WASHER, PLAIN	1	
74	648-44591-A0-00	GASKET	1	
75	689-44516-00-00	MOUNT DAMPER, UPPER FRONT	1	
76	97595-06520-00	BOLT, WITH WASHER	2	
77	95380-10600-00	NUT	2	
78	648-44591-A0-00	GASKET	2	
79	664-44514-00-94	MOUNT DAMPER, UPPER SIDE	2	
80	664-44591-A0-00	GASKET	2	

CONTINUED ON NEXT FRAME >



# BRACKET 1

Ref No.	Part Number	Description	Qty	Remarks
81	92990-10200-00	WASHER, PLAIN	2	
82	95380-10800-00	NUT	2	
83	689-44553-00-94	COVER, LOWER MOUNT	1	
84	689-44557-00-00	MOUNT DAMPER, LOWER FRONT	1	
85	97095-08025-00	BOLT	2	
86	92990-08600-00	..WASHER, PLATE	2	
87	689-44551-01-4D	HOUSING, LOWER MOUNT RUBBER	1	
88	689-44555-00-00	MOUNT DAMPER, LOWER SIDE	2	
89	689-44552-01-4D	HOUSING, LOWER MOUNT RUBBER	1	
90	95380-08600-00	NUT	4	
91	90119-08M03-00	BOLT, WITH WASHER	2	
92	97395-08065-00	BOLT	2	
93	92990-08600-00	..WASHER, PLATE	2	
94	97095-08070-00	BOLT	2	
95	95380-08600-00	NUT	4	
96	92990-08600-00	..WASHER, PLATE	4	

