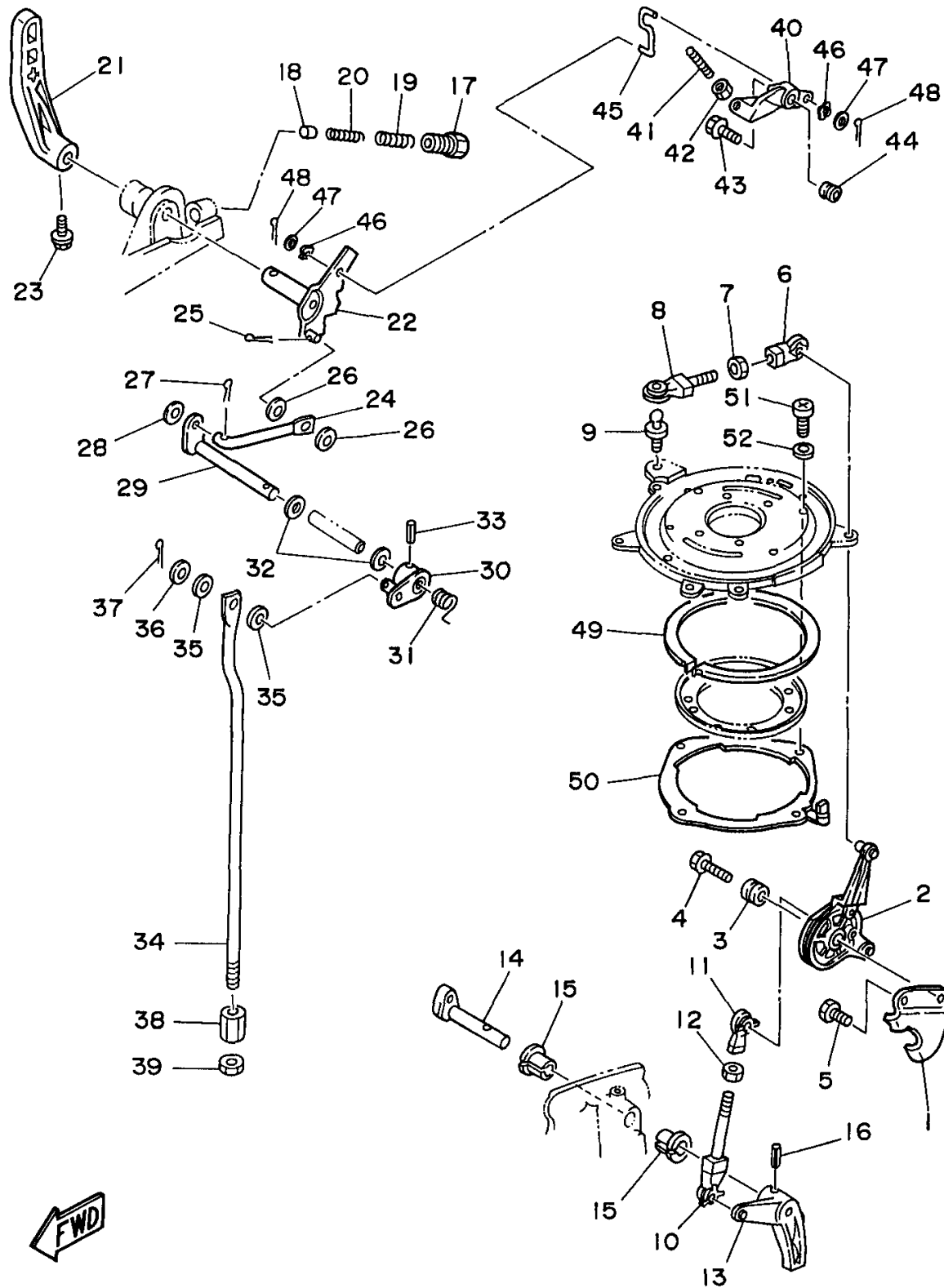


CONTROL

Ref No.	Part Number	Description	Qty	Remarks
1	689-14497-00-00	STAY, THROTTLE WIRE	1	
2	61N-41631-00-94	LEVER, MAGNETO CONTROL	1	
3	90387-06M02-00	COLLAR	1	
4	90119-06M49-00	BOLT, WITH WASHER	1	
5	97095-06012-00	BOLT	1	
6	6H1-41237-00-00	JOINT, LINK	1	
7	95380-05700-00	NUT	1	
8	679-41241-01-00	ROD, LINK	1	
9	663-85518-00-00	JOINT, BALL	1	
10	689-42169-01-00	JOINT	1	
11	6H1-41237-00-00	JOINT, LINK	1	
12	95380-05600-00	NUT	1	
13	689-42154-80-94	LEVER, THROTTLE CONTROL	1	
14	656-42153-00-94	SHAFT, THROTTLE CONTROL	1	
15	90386-10009-00	.BUSH	2	
16	91690-40018-00	.PIN, SPRING	1	
17	664-42715-00-00	BUSHING	1	
18	664-44167-00-00	PLUNGER, SHIFT CAM	1	
19	90501-14M07-00	SPRING, COMPRESSION	1	
20	90501-09M08-00	SPRING, COMPRESSION	1	

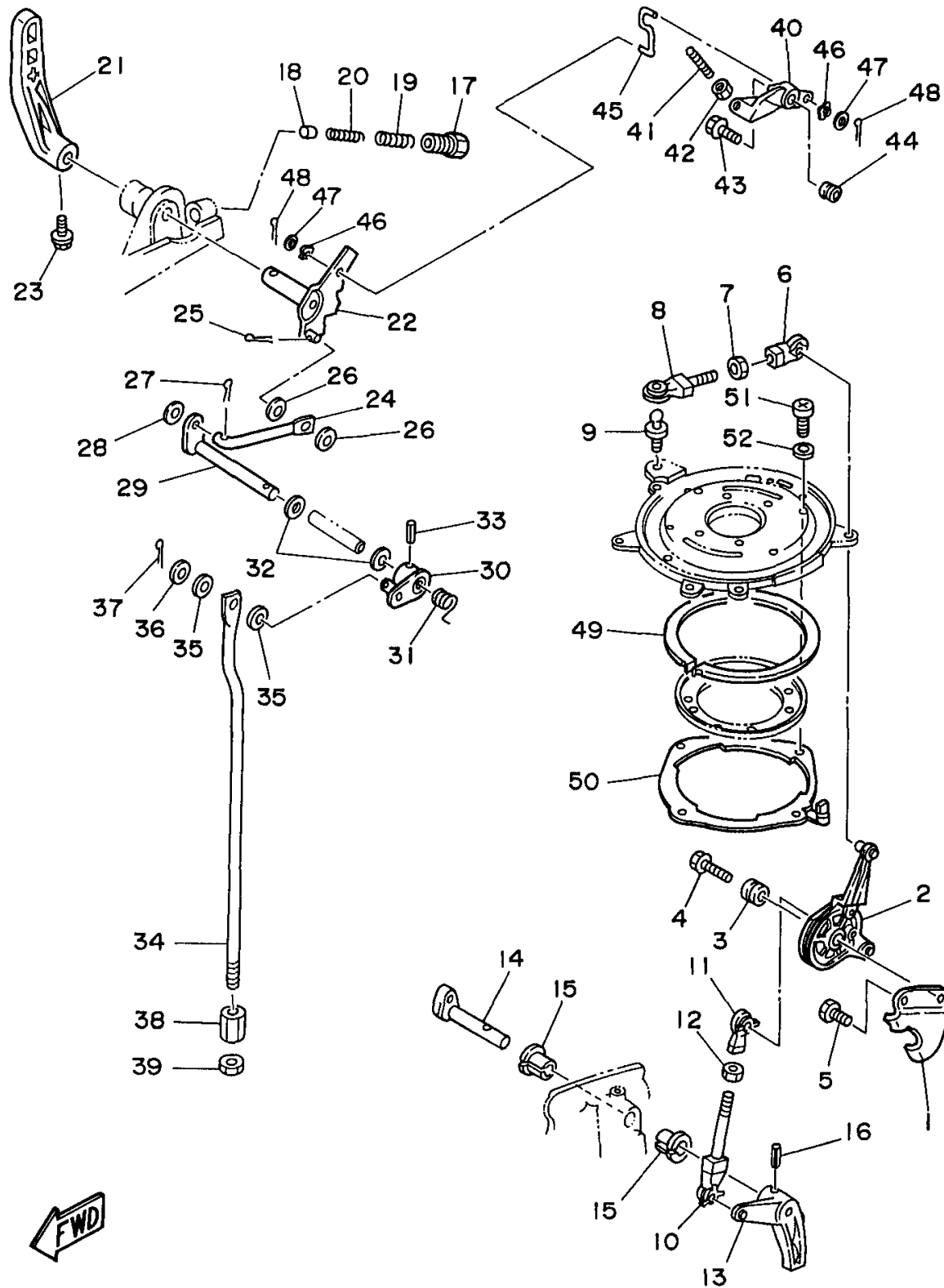
CONTINUED ON NEXT FRAME >



CONTROL

Ref No.	Part Number	Description	Qty	Remarks
21	689-44111-01-4D	HANDLE, GEAR SHIFT	1	
22	664-44113-01-00	CAM PLATE, HANDLE	1	
23	90105-06M07-00	.BOLT, FLANGE	1	
24	664-44142-00-00	JOINT	1	
25	91490-16010-00	PIN. COTTER	1	
26	90202-06007-00	WASHER, PLATE	2	
27	91490-12012-00	PIN. COTTER	1	
28	92990-05600-00	WASHER, PLATE	1	
29	689-44121-01-00	LEVER, SHIFT ROD	1	
30	689-44125-00-00	LEVER, SHIFT ROD	1	
31	90508-14M13-00	SPRING, TORSION	1	
32	90202-10024-00	WASHER, PLATE	2	
33	91690-40016-00	PIN, SPRING	1	
34	61N-44143-00-00	ROD, SHIFT	1	
35	90202-06007-00	WASHER, PLATE	2	
36	92990-05600-00	WASHER, PLATE	1	
37	91490-20015-00	PIN. COTTER	1	
38	61N-44146-00-00	CONNECTOR, SHIFT ROD	1	
39	95380-06600-00	NUT, HEXAGON	1	
40	689-15746-70-94	ARM	1	M

CONTINUED ON NEXT FRAME >



CONTROL

Ref No.	Part Number	Description	Qty	Remarks
41	90113-05M04-00	BOLT, SET	1	M
42	95380-05600-00	NUT	1	M
43	90119-06M50-00	BOLT, WITH WASHER	1	M
44	90387-06M02-00	COLLAR	1	M
45	689-15747-70-00	LINK	1	M
46	90206-05005-00	WASHER, WAVE	2	M
47	92990-05600-00	WASHER, PLATE	3	M
48	91490-16010-00	PIN. COTTER	2	M
49	676-41611-00-00	RETAINER, MAGNETO BASE	1	
50	676-41613-00-00	PLATE, BASE FRICTION	1	
51	98580-05012-00	.SCREW, PAN HEAD	4	
52	92990-05600-00	WASHER, PLATE	4	

