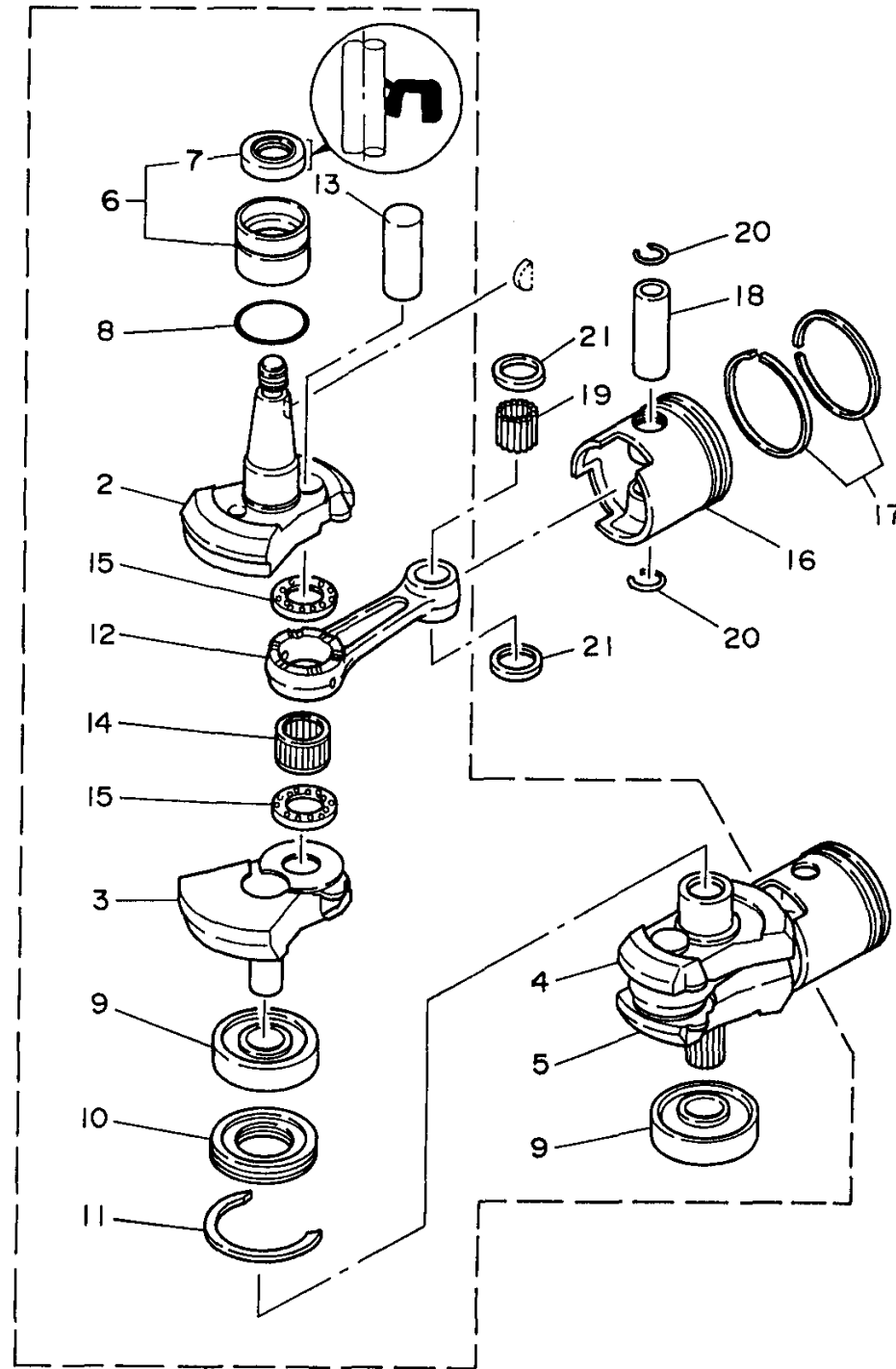


# CRANKSHAFT PISTON



Ref No.	Part Number	Description	Qty	Remarks
1	61N-11400-01-00	CRANKSHAFT ASSEMBLY	1	
2	61N-11412-01-00	. CRANK 1	1	
3	61N-11422-00-00	. CRANK 2	1	
4	61N-11432-00-00	. CRANK 3	1	
5	61N-11442-00-00	. CRANK 4	1	
6	93311-632V4-00	. BEARING, CYLINDRICAL	1	
7	93102-32M07-00	. . OIL SEAL	1	
8	93210-42159-00	. .O-RING	1	
9	93306-305U3-00	. .BEARING	2	
10	61N-11515-00-00	. SEAL, LABYRINTH 1	1	
11	93440-62057-00	. CIRCLIP, OUTER	1	
12	689-11651-00-00	. ROD, CONNECTING	2	
13	689-11681-01-00	. PIN, CRANK 1	2	
14	93310-624U5-00	. BEARING, CYLINDRICAL	2	
15	90209-24M03-00	. WASHER	4	
16	61N-11631-00-95	PISTON (STD)	2	
16	61N-11635-00-00	PISTON (0.25MM O/S)	2	AP
16	61N-11636-00-00	PISTON (0.50MM O/S)	2	AP
17	61N-11604-00-00	PISTON RING SET (0.25MM O/S)	2	AP
17	61N-11603-00-00	PISTON RING SET (STD)	2	

CONTINUED ON NEXT FRAME >

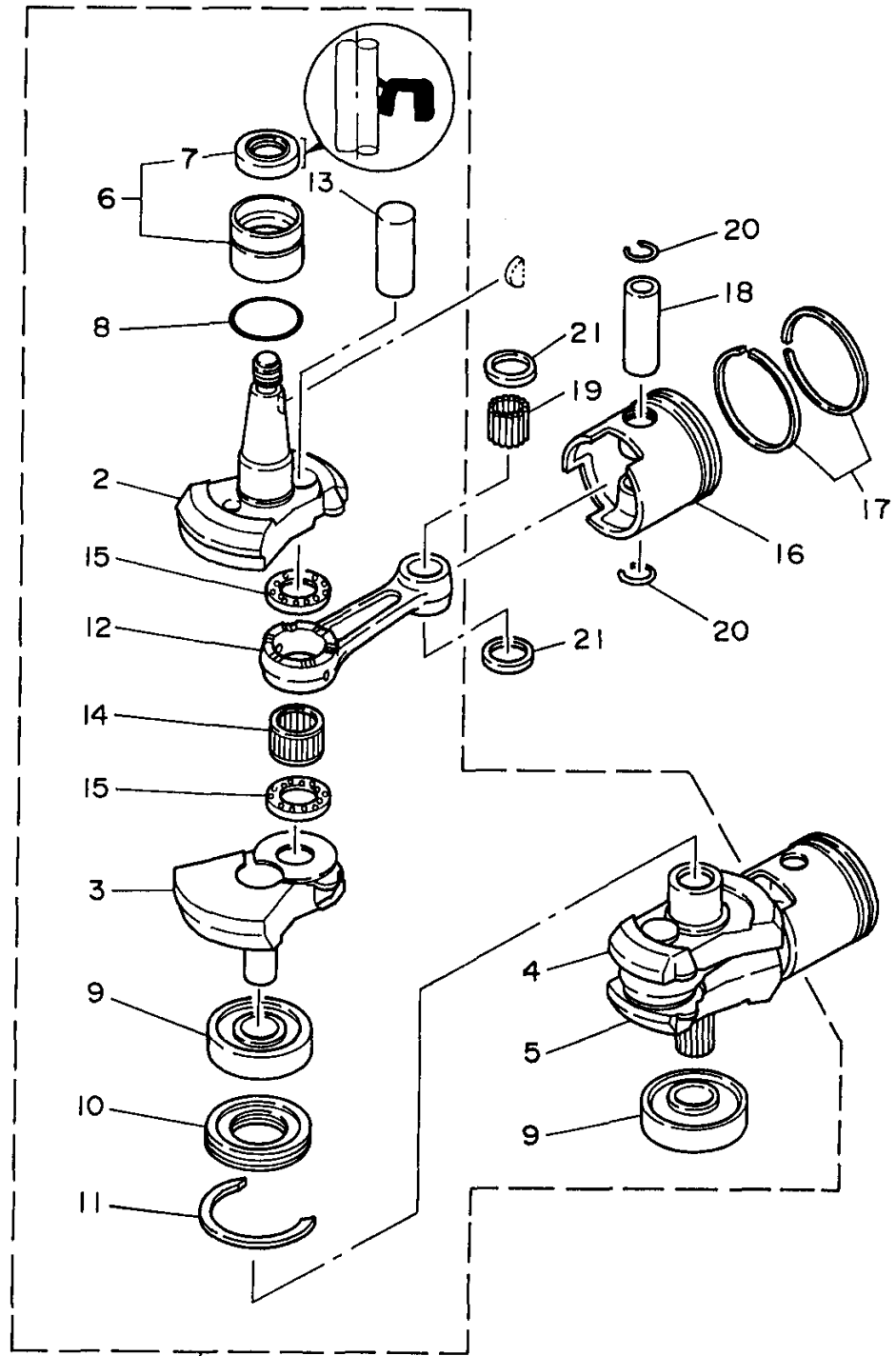


c30elrv

A5

# CRANKSHAFT PISTON

Ref No.	Part Number	Description	Qty	Remarks
17	61N-11605-00-00	PISTON RING SET (0.50MM O/S)	2	AP
18	689-11633-00-00	PIN, PISTON	2	
19	93602-20M02-00	PIN, DOWEL	68	
20	688-11634-00-00	CLIP, PISTON PIN	4	
21	90201-20M27-00	WASHER, PLATE	4	



c30elrv

A6