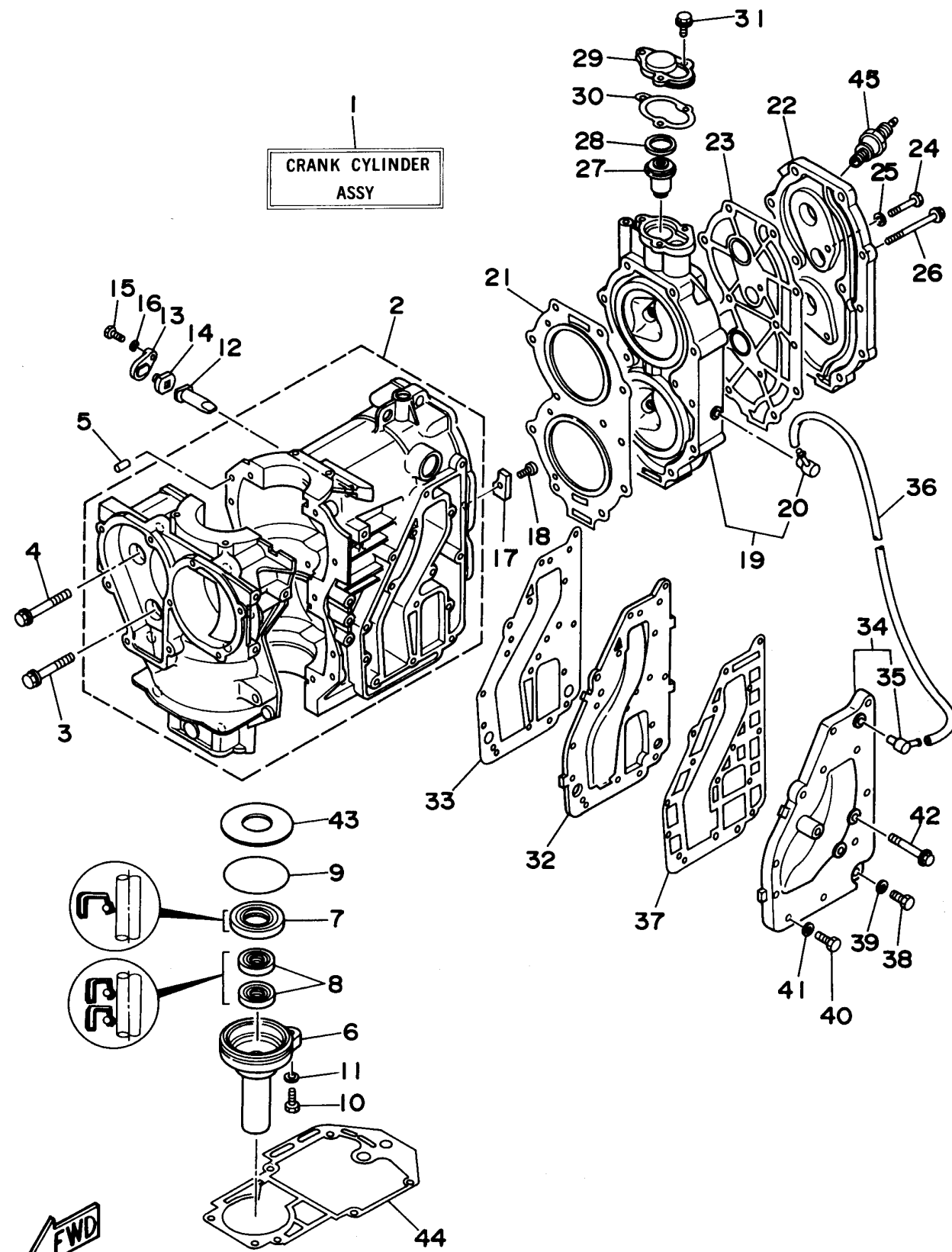


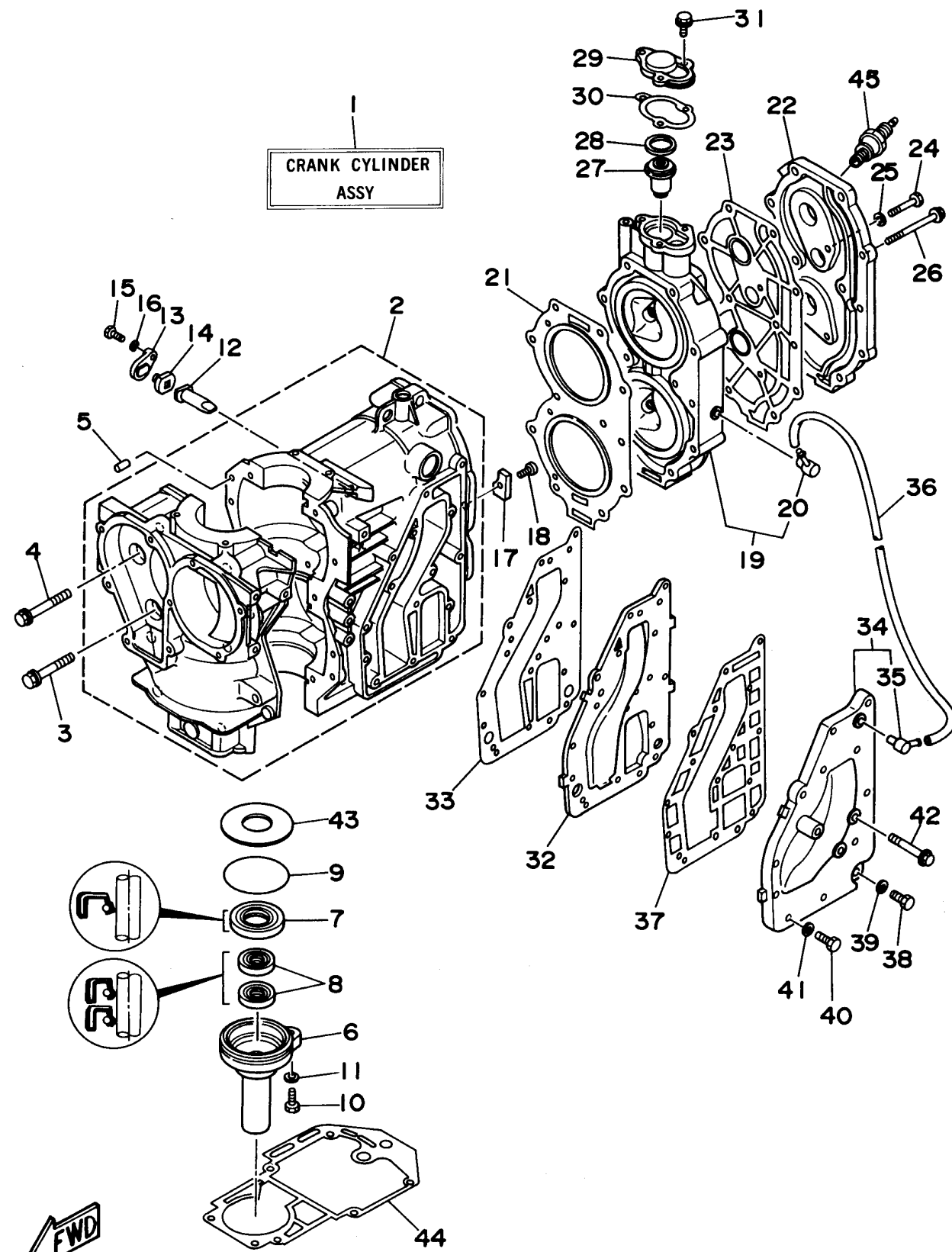
CYLINDER CRANKCASE



Ref No.	Part Number	Description	Qty	Remarks
1	61T-W0090-01-4D	CRANK CYLINDER ASSEMBLY (REF. #2-44; CRANKSHAFT - PIST)	1	
2	61N-15100-00-94	CRANKCASE ASSEMBLY	1	
3	90119-08M18-00	BOLT, WITH WASHER	2	
4	90119-08M20-00	BOLT, WITH WASHER	8	
5	93606-12019-00	.PIN, DOWEL	2	
6	689-15396-01-5B	HOUSING, OIL SEAL	1	
7	93102-25M28-00	OIL SEAL	1	
8	93101-16M36-00	OIL SEAL	2	
9	93210-57M09-00	.O-RING	1	
10	97395-06022-00	BOLT	1	
11	92990-06600-00	WASHER, PLATE	1	
12	6J8-11325-00-00	ANODE	1	
13	6H3-11327-00-94	COVER, ANODE	1	
14	6H3-11328-00-00	GROMMET, ANODE	1	
15	97095-06016-00	BOLT	1	
16	92990-06600-00	WASHER, PLATE	1	
17	689-11325-00-00	ANODE	1	
18	98780-06020-00	SCREW, FLAT HEAD	1	
19	61T-11111-01-94	HEAD, CYLINDER 1	1	
20	676-11372-00-00	..NIPPLE, HOSE	1	

CONTINUED ON NEXT FRAME >

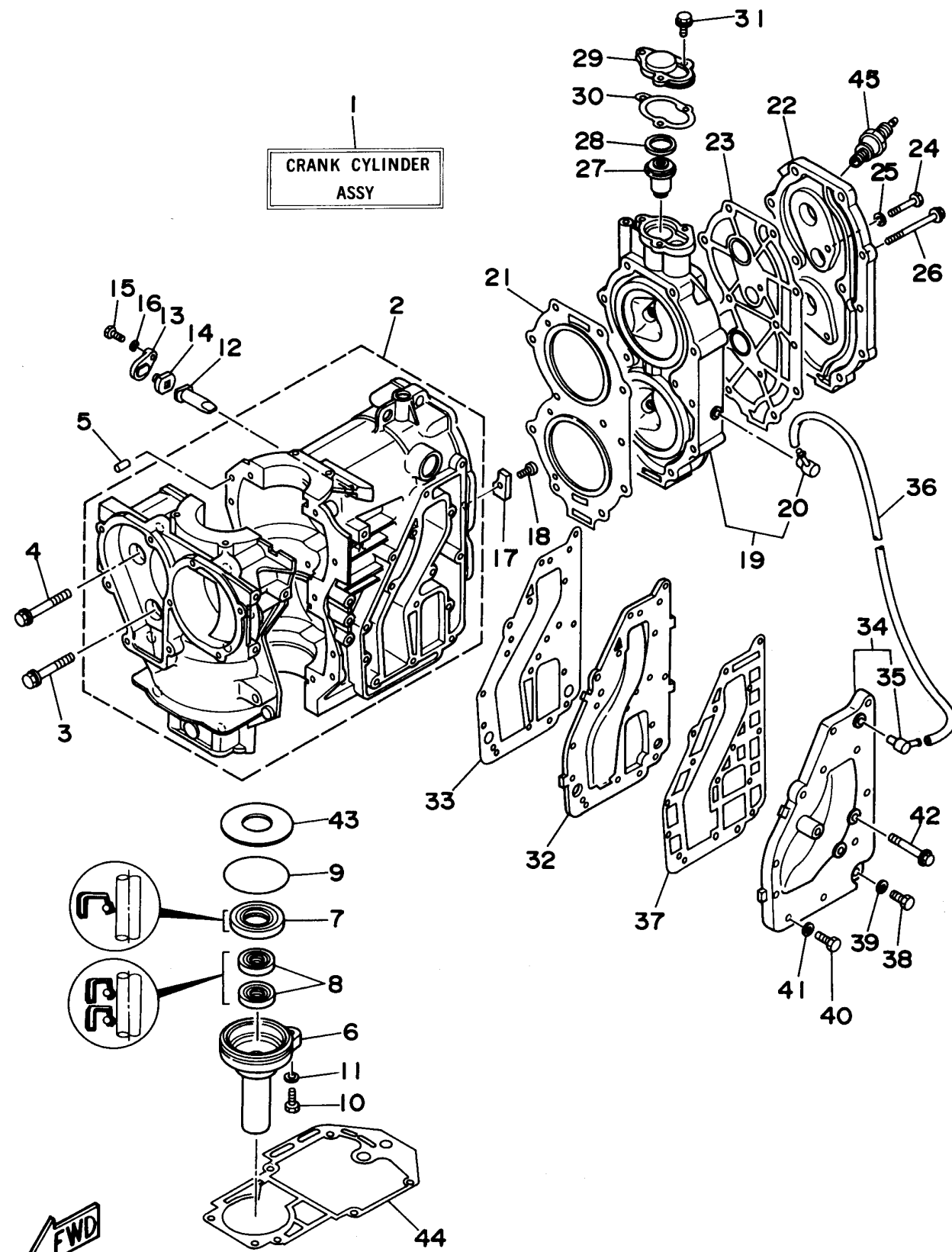
CYLINDER CRANKCASE



Ref No.	Part Number	Description	Qty	Remarks
21	61N-11181-A1-00	GASKET, CYLINDER HEAD 1	1	
22	61N-11191-01-9M	COVER, CYLINDER HEAD 1	1	
23	61T-11193-A0-00	GASKET, HEAD COVER 1	1	
24	97013-06022-00	BOLT (97313-06022-00)	2	
25	92990-06600-00	WASHER, PLATE	2	
26	90119-08M29-00	BOLT, WITH WASHER	11	
27	6E5-12411-01-00	THERMOSTAT	1	
28	90201-21567-00	WASHER, PLATE	1	
29	655-12413-01-9M	COVER, THERMOSTAT	1	
30	655-12414-A1-00	GASKET, COVER	1	
31	97595-06520-00	BOLT, WITH WASHER	3	
32	6K8-41121-00-9M	INNER COVER, EXHAUST	1	
33	6K8-41122-A1-00	GASKET, EXHAUST INNER COVER	1	
34	61N-41123-00-9M	OUTER COVER, EXHAUST	1	
35	676-11372-00-00	. .NIPPLE, HOSE	1	
36	90445-10M41-00	HOSE	1	
37	6K8-41124-A1-00	GASKET, EXHAUST OUTER COVER	1	
38	97095-06025-00	BOLT	1	
39	92990-06600-00	WASHER, PLATE	1	
40	97095-06030-00	BOLT	11	

CONTINUED ON NEXT FRAME >

CYLINDER CRANKCASE



Ref No.	Part Number	Description	Qty	Remarks
41	92990-06600-00	WASHER, PLATE	11	
42	90119-06MA0-00	BOLT, WITH WASHER	3	
43	90201-50306-00	WASHER, PLATE	1	
44	689-45113-A1-00	GASKET, UPPER CASING	1	
45	NGK-B8HS1-00-00	PLUG, SPARK (NGK B8HS-10)	2	