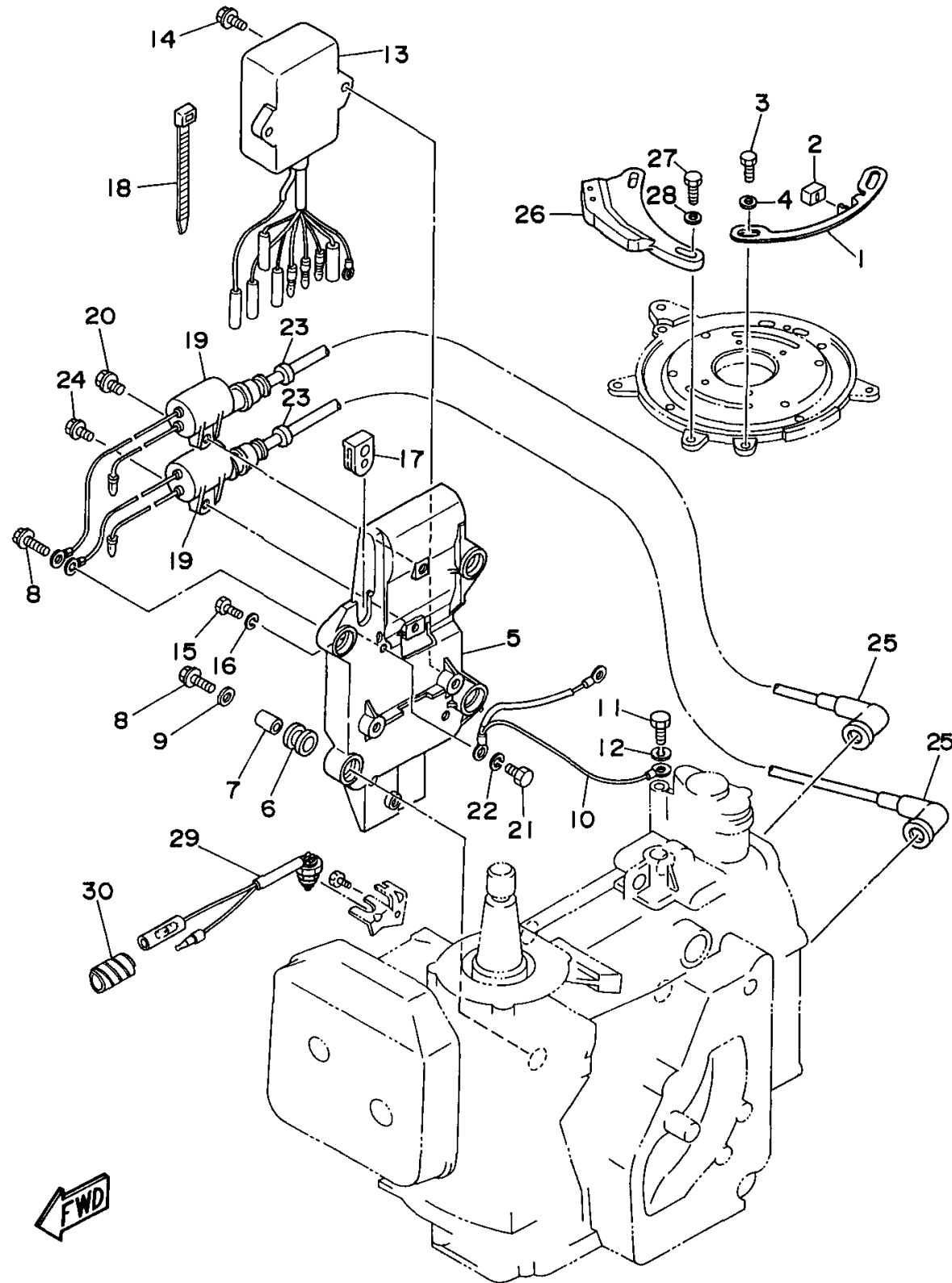


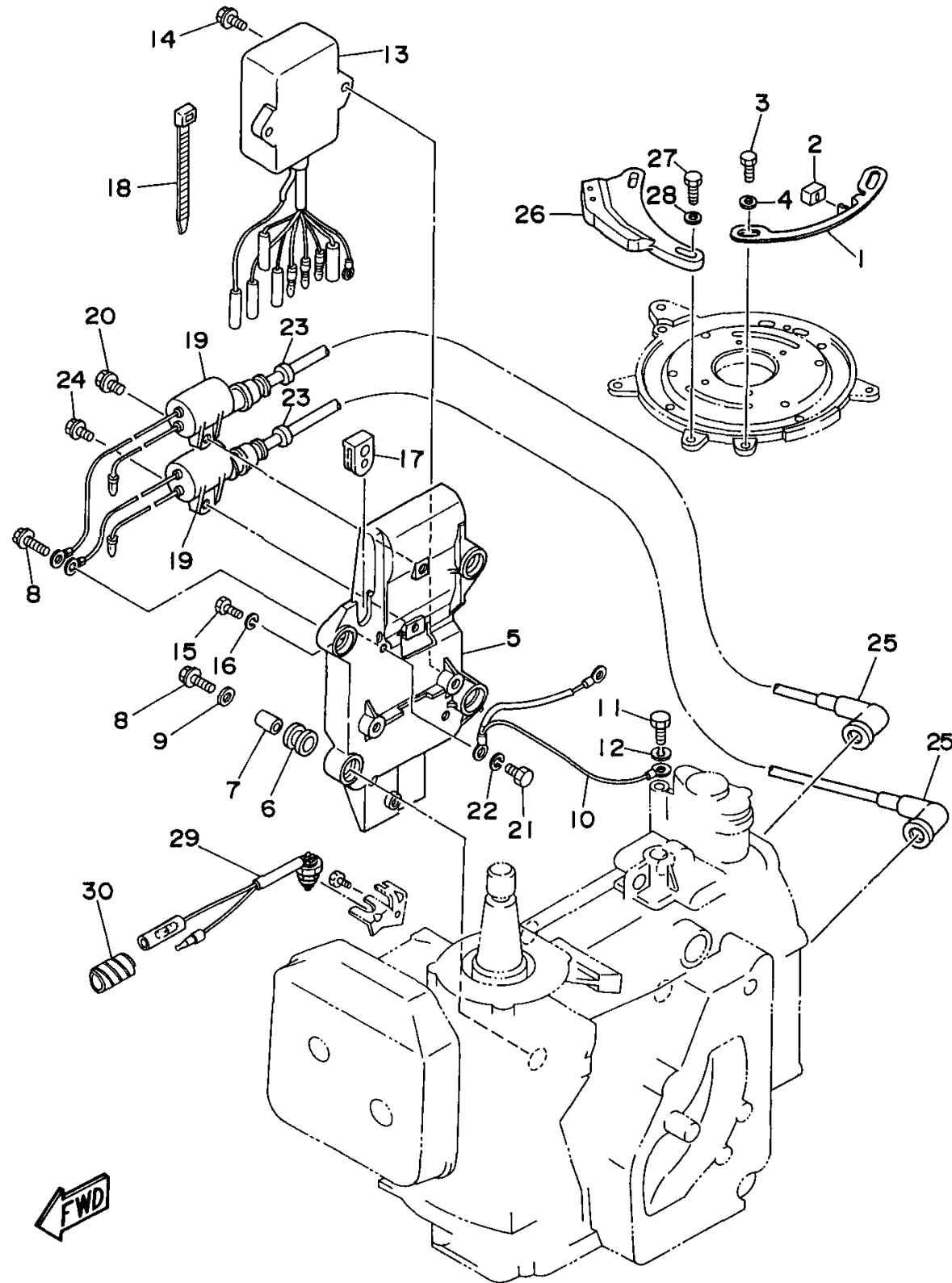
ELECTRICAL 1



Ref No.	Part Number	Description	Qty	Remarks
1	61N-41615-00-00	STOPPER, MAGNETO BASE	1	
2	61T-44194-00-00	CAP	1	
3	97095-06010-00	BOLT	2	
4	92990-06600-00	WASHER, PLATE	2	
5	61N-85542-00-94	BRACKET	1	
6	61N-82317-00-00	DAMPER, IGNITION COIL	4	
7	624-42542-00-00	PIPE	4	
8	90119-06M95-00	BOLT, WITH WASHER	4	
9	90201-06M30-00	WASHER, PLATE	2	
10	61N-82519-01-00	WIRE, EARTH LEAD	1	
11	97095-06012-00	BOLT	1	
12	92995-06100-00	WASHER, SPRING	1	
13	61N-85540-10-00	C.D.I. UNIT ASSEMBLY	1	
14	97595-06520-00	BOLT, WITH WASHER	2	
15	97095-06012-00	BOLT	1	
16	92995-06100-00	WASHER, SPRING	1	
17	6H3-81922-00-00	GROMMET	1	
18	90465-13M11-00	CLAMP	1	
19	61N-85570-10-00	IGNITION COIL ASSEMBLY	2	
20	97595-06520-00	BOLT, WITH WASHER	1	

CONTINUED ON NEXT FRAME >

ELECTRICAL 1



Ref No.	Part Number	Description	Qty	Remarks
21	97095-06012-00	BOLT	1	
22	92995-06100-00	WASHER, SPRING	1	
23	90480-25161-00	GROMMET	2	
24	97595-06520-00	BOLT, WITH WASHER	1	
25	663-82370-01-00	PLUG CAP ASSY	2	
26	61N-41213-00-94	CAM, ACCEL.	1	
27	97095-05016-00	BOLT	2	
28	92990-05600-00	WASHER, PLATE	2	
29	689-82540-01-00	NEUTRAL SWITCH ASSEMBLY	1	
30	90446-10M02-00	HOSE	1	