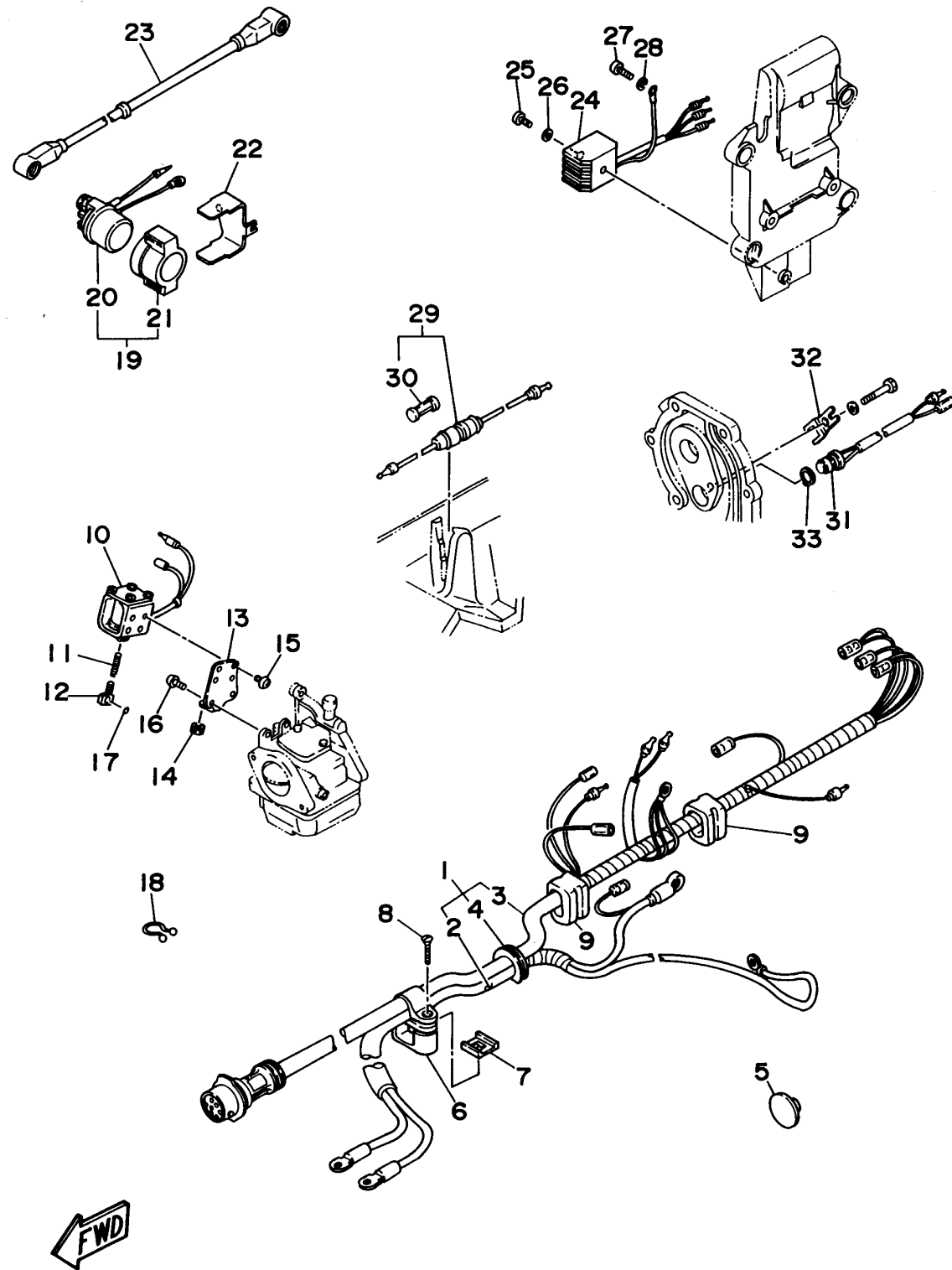


ELECTRICAL 2

Ref No.	Part Number	Description	Qty	Remarks
1	61T-82580-00-00	WIRE HARNESS ASSEMBLY 2	1	
2	61T-82590-00-00	. WIRE HARNESS ASSEMBLY	1	
3	695-82105-13-00	. BATTERY CABLE	1	
4	689-42724-50-00	. GROMMET	1	
5	90480-17165-00	GROMMET	1	
6	689-82594-10-00	CLAMP	1	
7	682-42525-00-00	PLATE, FRICTION 1	1	
8	90161-06M03-00	SCREW, TAPPING	1	
9	90480-17M08-00	GROMMET	2	
10	61T-86111-00-00	COIL, SOLENOID	1	
11	682-86116-00-00	WIRE, PULL	1	
12	682-86117-00-00	HOOK, WIRE PULL	1	
13	61T-86112-00-00	STAY, SOLENOID	1	
14	90480-10155-00	GROMMET	1	
15	98580-04006-00	.SCREW, PAN HEAD	4	
16	98580-05012-00	.SCREW, PAN HEAD	2	
17	93210-03261-00	O-RING	1	
18	90465-18147-00	CLAMP	1	
19	6G1-81940-00-00	STARTER RELAY ASSEMBLY	1	
20	6G1-81941-10-00	. STARTER RELAY ASSY	1	

CONTINUED ON NEXT FRAME >



ELECTRICAL 2

Ref No.	Part Number	Description	Qty	Remarks
21	6G1-81952-00-00	. HOLDER, RELAY	1	
22	61T-81945-00-00	PLATE, SWITCH FITTING	1	
23	689-82531-02-00	WIRE, LEAD	1	
24	664-81970-61-00	RECTIFIER ASSEMBLY	1	
25	98580-05525-00	SCREW, PAN HEAD	1	
26	92990-05600-00	WASHER, PLATE	1	
27	97095-06012-00	BOLT	1	
28	92995-06100-00	WASHER, SPRING	1	
29	682-82150-10-00	FUSE HOLDER ASSEMBLY	1	
30	682-82151-00-00	. FUSE (12V-20A)	1	
31	61T-82560-00-00	THERMO SWITCH ASSEMBLY	1	
32	61T-82588-00-00	PLATE	1	
33	99009-17500-00	CIRCLIP	1	

