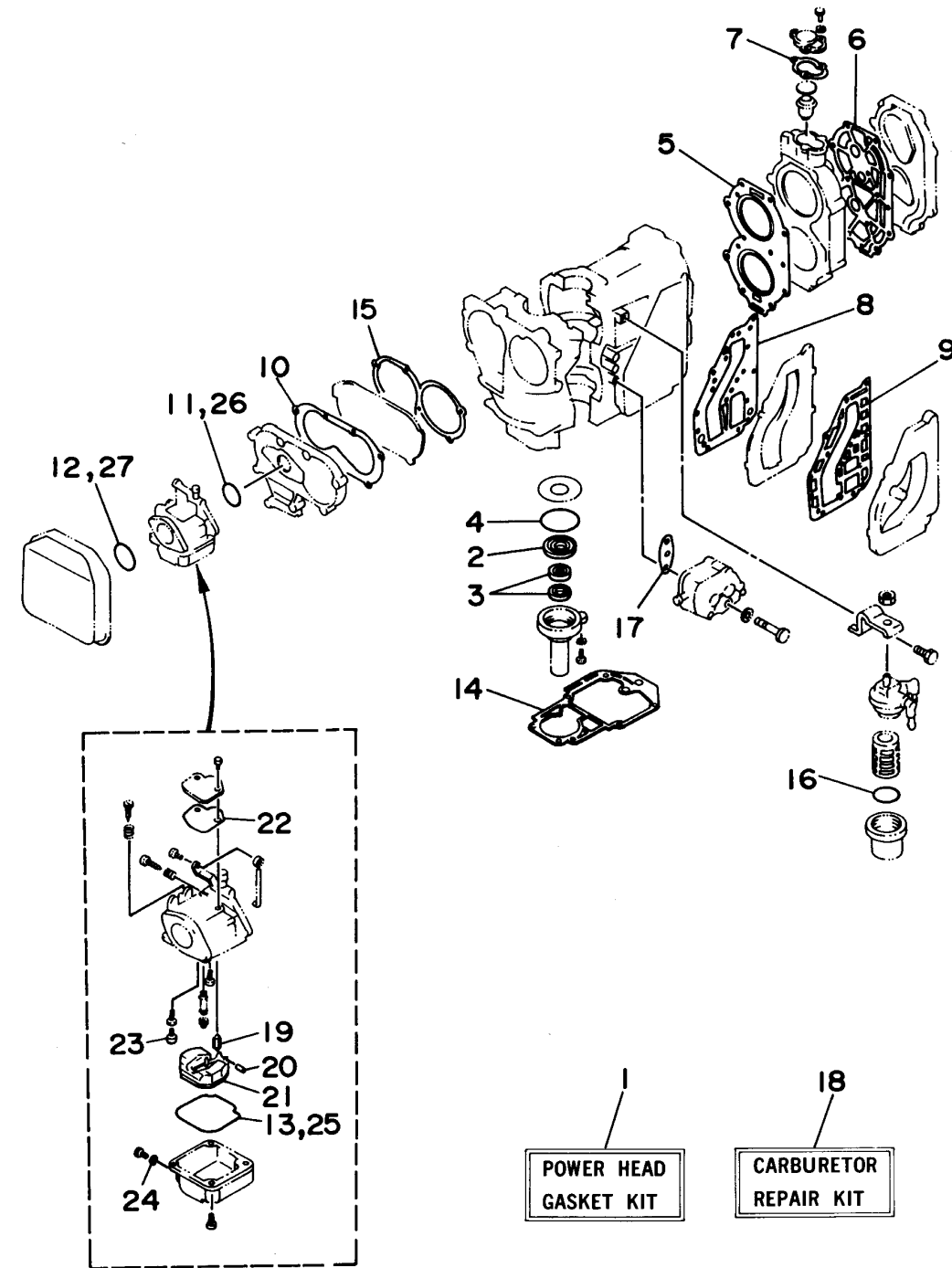


REPAIR KIT 1

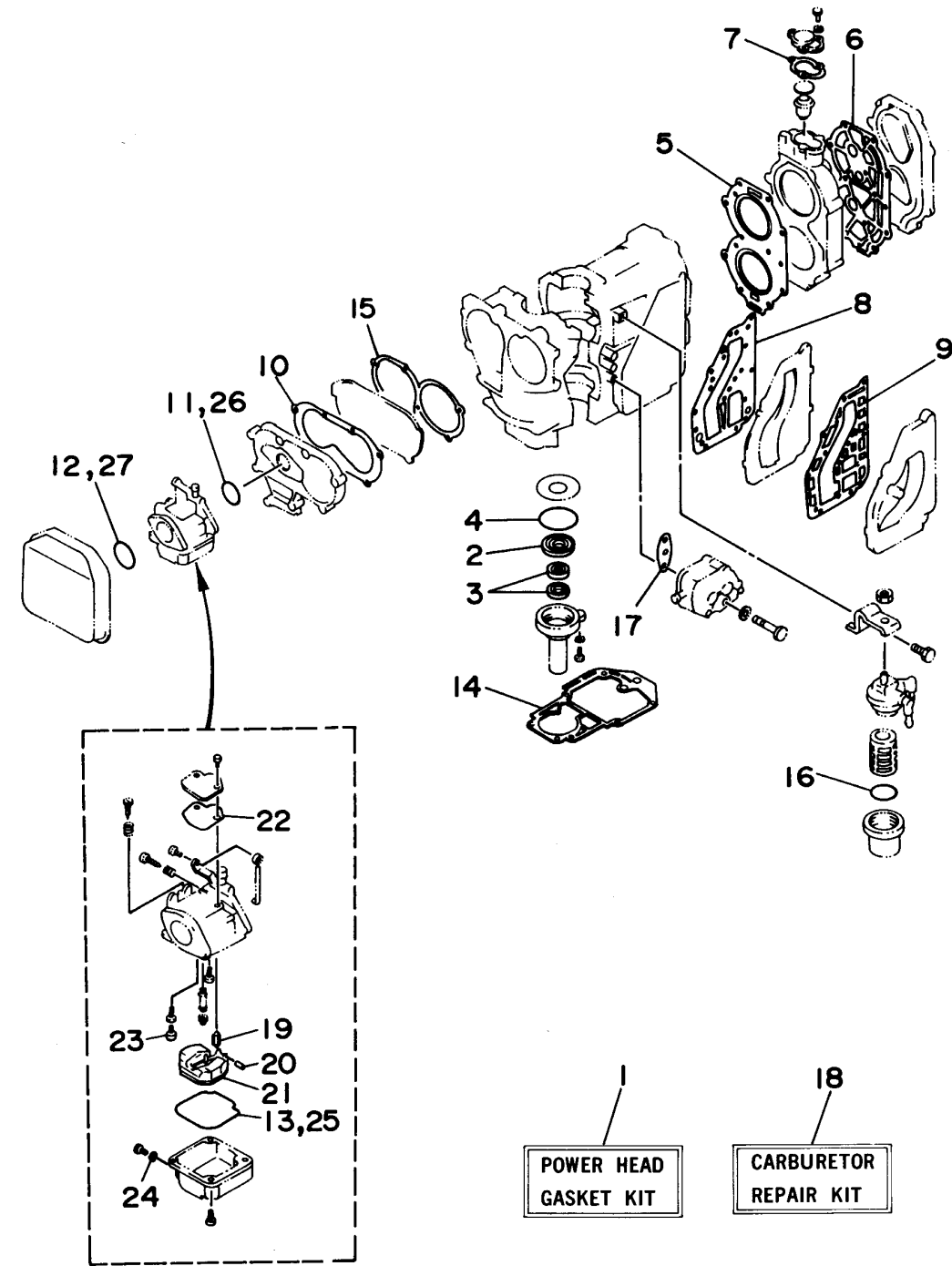


Ref No.	Part Number	Description	Qty	Remarks
1	61T-W0001-02-00	POWER HEAD GASKET KIT	1	
2	93102-25M28-00	. OIL SEAL	1	
3	93101-16M36-00	. OIL SEAL	2	
4	93210-57M09-00	. O-RING	1	
5	61N-11181-A1-00	. GASKET, CYLINDER HEAD 1	1	
6	61T-11193-A0-00	. GASKET, HEAD COVER 1	1	
7	655-12414-A1-00	. GASKET, COVER	1	
8	6K8-41122-A1-00	. GASKET, EXHAUST INNER COVER	1	
9	6K8-41124-A1-00	. GASKET, EXHAUST OUTER COVER	1	
10	648-13645-A0-00	. GASKET, MANIFOLD 1	1	
11	61N-14198-00-00	. GASKET	1	
12	93210-40659-00	. O-RING	1	
13	6L2-14384-00-00	. GASKET, FLOAT CHAMBER	1	
14	689-45113-A1-00	. GASKET, UPPER CASING	1	
15	648-13621-A1-00	. GASKET, VALVE SEAT	1	
16	93210-32738-00	. O-RING	1	
17	650-24431-A0-00	. GASKET, FUEL PUMP 1	1	
18	61N-W0093-00-00	CARBURETOR REPAIR KIT	1	
19	61N-14392-00-00	. VALVE, NEEDLE	1	
20	6E5-14386-01-00	. PIN, FLOAT	1	

CONTINUED ON NEXT FRAME >



REPAIR KIT 1



Ref No.	Part Number	Description	Qty	Remarks
21	6L2-14385-00-00	. FLOAT	1	
22	6L2-14399-00-00	. GASKET	1	
23	50M-14355-00-00	. .PLUG	1	
24	6L2-14398-00-00	. GASKET	1	
25	6L2-14384-00-00	. GASKET, FLOAT CHAMBER	1	
26	61N-14198-00-00	. GASKET	1	
27	93210-40659-00	. O-RING	1	