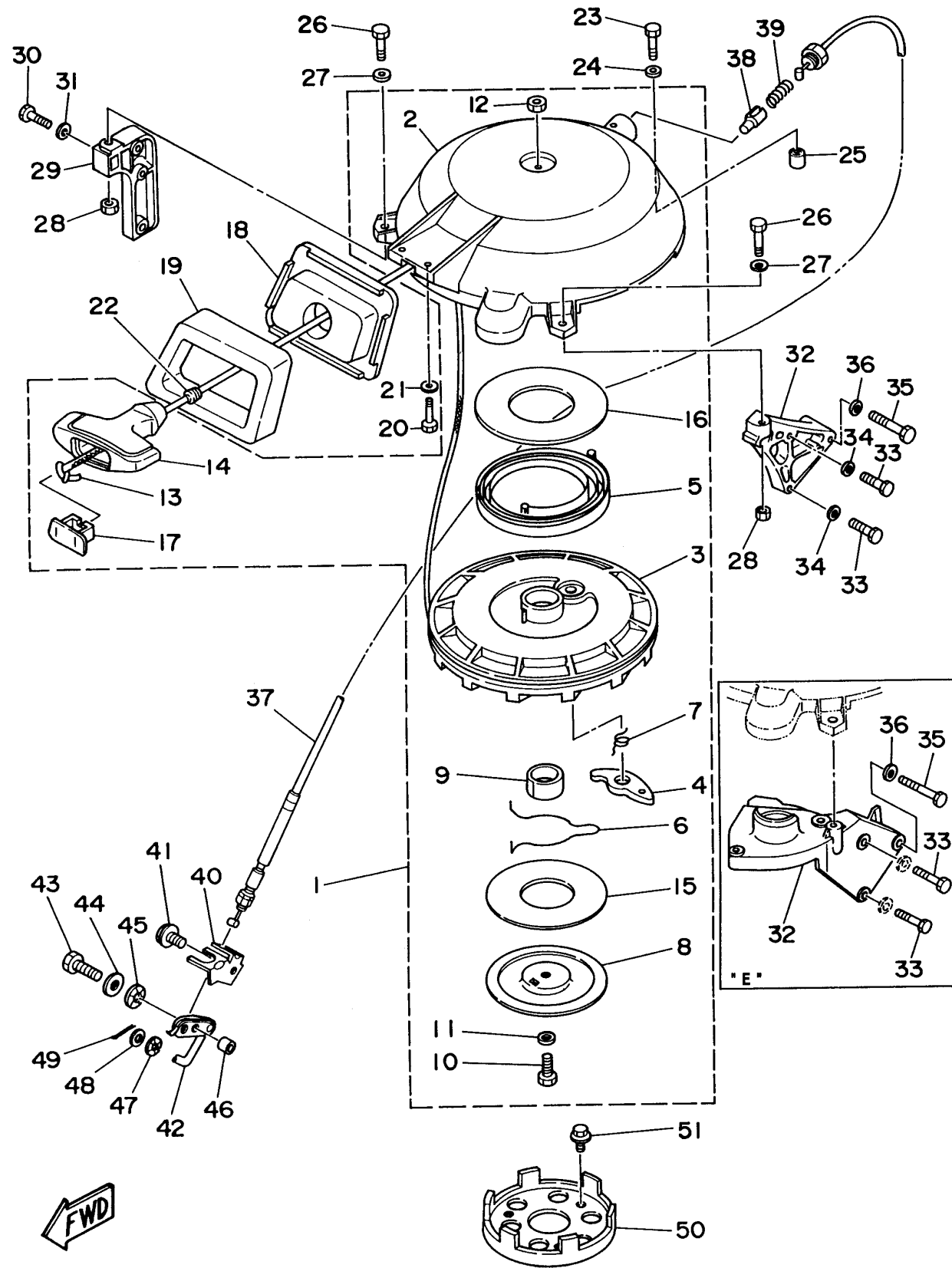


STARTER

Ref No.	Part Number	Description	Qty	Remarks
1	61N-W1571-10-00	STARTER ASSEMBLY (61N-W1571-11-00)	1	
2	61N-15711-10-00	. CASE, STARTER	1	
3	6G0-15714-01-00	. DRUM, SHEAVE	1	
4	6F5-15741-01-00	. PAWL, DRIVE	1	
5	6F5-15713-01-00	. SPRING, STARTER	1	
6	61N-15715-00-00	. SPRING, DRIVE PLATE	1	
7	61N-15734-00-00	. SPRING, RETURN	1	
8	6F5-15716-01-00	. PLATE, DRIVE	1	
9	6G0-15754-00-00	. BUSHING	1	
10	97013-08030-00	. BOLT	1	
11	6F5-15726-01-00	. WASHER, FLAT	1	
12	95304-08700-00	. NUT	1	
13	90580-50M01-00	. ROPE, STARTER	1	
14	689-15755-01-00	. .HANDLE, STARTER	1	
15	6F5-15764-00-00	. COLLAR 1	1	
16	6F5-15739-00-00	. WASHER, THRUST	1	
17	6F5-15779-02-00	. .COVER	1	
18	61N-15758-00-4D	GUIDE, ROPE	1	
19	61N-15762-00-00	SEAL, RUBBER 2	1	
20	97095-06016-00	BOLT	2	

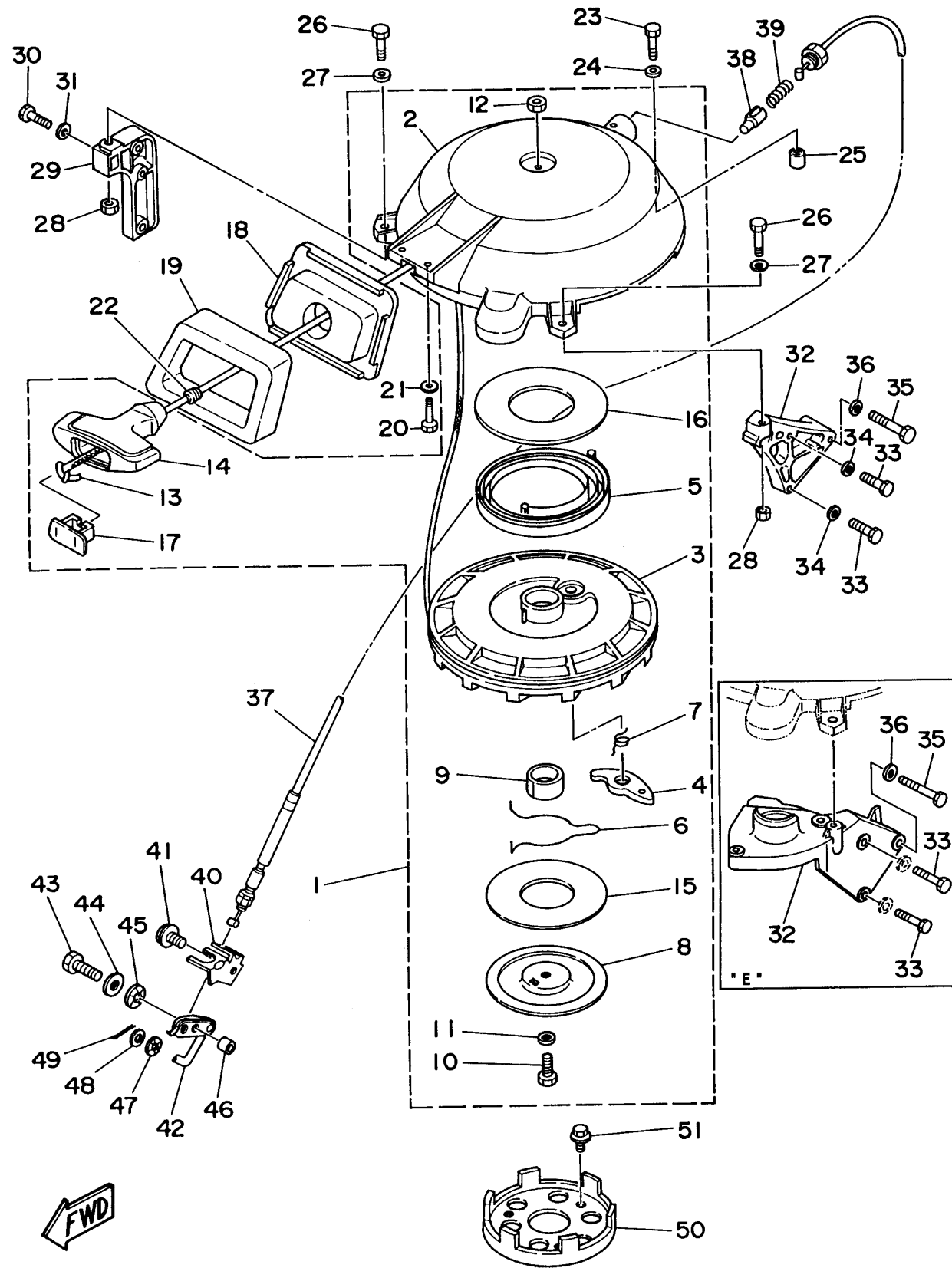
CONTINUED ON NEXT FRAME >



STARTER

Ref No.	Part Number	Description	Qty	Remarks
21	92990-06600-00	WASHER, PLATE	2	
22	6A0-15789-00-00	.DAMPER	1	
23	97095-06035-00	BOLT	1	
24	92990-06600-00	WASHER, PLATE	1	
25	99530-10014-00	.PIN, DOWEL	1	
26	97095-06035-00	BOLT	2	
27	92990-06600-00	WASHER, PLATE	2	
28	95380-06600-00	NUT, HEXAGON	1	
29	6H7-15771-01-94	STAY 1	1	
30	97095-06025-00	BOLT	2	
31	92990-06600-00	WASHER, PLATE	2	
32	61T-15772-00-94	STAY 2	1	
33	97095-06030-00	BOLT	2	
34	92990-06600-00	WASHER, PLATE	2	
35	97013-06045-00	BOLT	1	
36	92990-06600-00	WASHER, PLATE	1	
37	61T-15770-00-00	CABLE COMP., STARTER STOP	1	
38	656-15748-00-00	PLUNGER, STARTER STOP	1	
39	90501-10227-00	SPRING, COMPRESSION	1	
40	61T-15774-40-94	STAY 4	1	

CONTINUED ON NEXT FRAME >



STARTER

Ref No.	Part Number	Description	Qty	Remarks
41	97095-06010-00	BOLT	1	
42	656-15749-00-00	LINK, STARTER STOP	1	
43	97095-06020-00	BOLT	1	
44	92990-06600-00	WASHER, PLATE	1	
45	90206-08010-00	WASHER, WAVE	1	
46	90387-06568-00	COLLAR	1	
47	90206-05005-00	WASHER, WAVE	1	
48	92990-05600-00	WASHER, PLATE	1	
49	91490-16010-00	PIN. COTTER	1	
50	6F5-15723-01-00	PULLEY, STARTER	1	
51	90105-08M10-00	BOLT, FLANGE	3	

