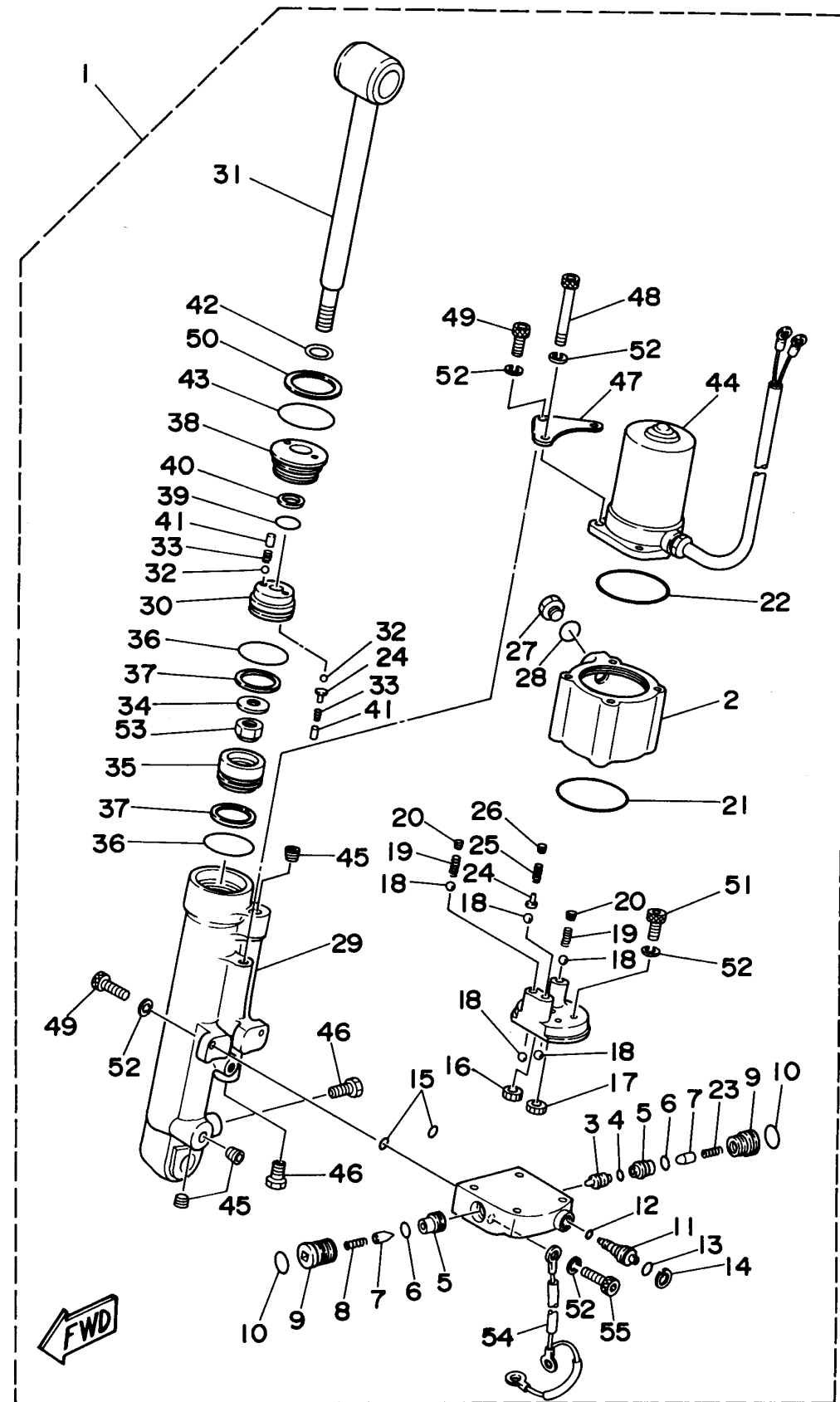


c40_mh_eh_er_pr_v

ALTERNATE 5 POWER TILT ASSEMBLY PR

Ref No.	Part Number	Description	Qty	Remarks
1	6H5-43840-05-4D	POWER TILT ASSEMBLY	1	
2	6H5-43828-00-00	. BODY, RESERVOIR	1	
3	6H5-43841-00-00	. PISTON, SHUTTLE	1	
4	6H5-43861-00-00	. O-RING	1	
5	6H5-43891-00-00	. BUSHING 1	2	
6	6H5-43862-00-00	. O-RING	2	
7	6H5-43849-00-00	. PIN, VALVE SUPPORT	2	
8	6H5-43853-00-00	. SPRING, MAIN VALVE	1	
9	6H5-4382E-00-00	. ADAPTOR 2	2	
10	6H5-43863-00-00	. O-RING	2	
11	6H5-43846-02-00	. SCREW, MANUAL VALVE SEAT	1	
12	6H5-43864-00-00	. O-RING	1	
13	6H5-43865-00-00	. O-RING	1	
14	6H5-43875-00-00	. RING, SNAP	1	
15	6H5-43866-00-00	. O-RING	2	
16	6H5-43837-00-00	. GEAR, DRIVEN	1	
17	6H5-43836-00-00	. GEAR, DRIVE	1	
18	6H5-43858-10-00	. BALL	5	
19	6H5-43856-00-00	. SPRING, DOWN RELIEF	2	
20	6H5-43844-00-00	. PIN, VALVE SUPPORT	2	

CONTINUED ON NEXT FRAME >

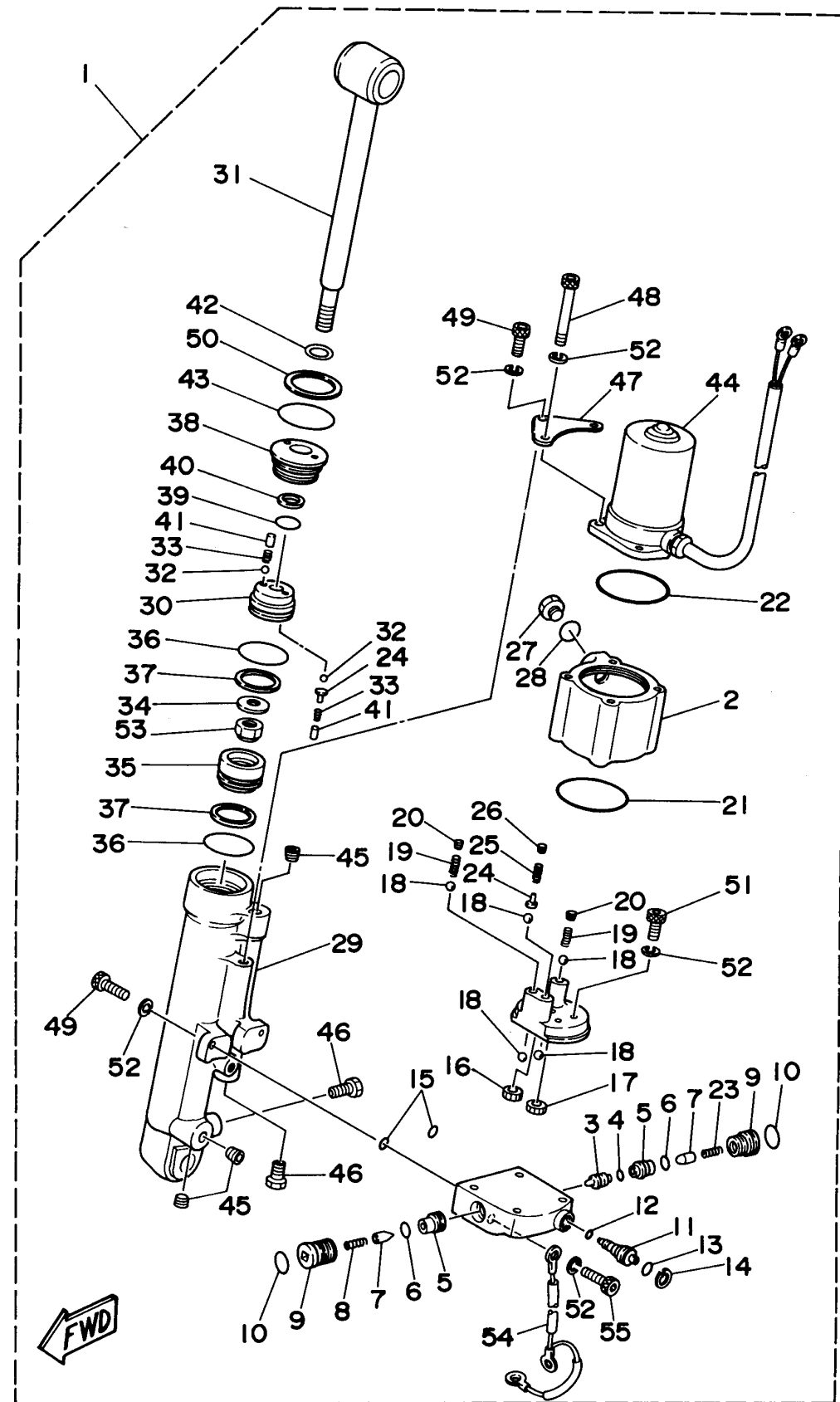


c40_mh_eh_er_pr_v

ALTERNATE 5 POWER TILT ASSEMBLY PR

Ref No.	Part Number	Description	Qty	Remarks
21	6H5-43867-00-00	. O-RING	1	
22	6H5-43868-00-00	. O-RING	1	
23	6H5-43853-10-00	. SPRING, MAIN VALVE	1	
24	6H5-43859-00-00	. PIN, VALVE SUPPORT	6	
25	6H5-43855-01-00	. SPRING, UP RELIEF	1	
26	6H5-4386F-00-00	. RING, STRAIGHT	1	
27	6H5-43829-00-00	. PLUG, RESERVOIR	1	
28	6H5-43865-00-00	. O-RING	1	
29	6H5-43813-00-00	. CYLINDER, TILT	1	
30	6H5-4385A-00-00	. PISTON, TILT	1	
31	6H5-43801-00-00	. ROD	1	
32	6H5-43858-00-00	. BALL	5	
33	6H5-43857-00-00	. SPRING, ABSORBER VALVE	5	
34	6H5-43893-00-00	. WASHER	1	
35	6H5-43814-00-00	. PISTON, FREE	1	
36	6H5-43883-00-00	. O-RING	2	
37	6H5-43871-00-00	. RING, BACK UP	2	
38	6H5-4381E-00-00	. BRACKET	1	
39	6H5-43896-00-00	. O-RING	1	
40	6H5-43873-00-00	. RING, BACK UP	1	

CONTINUED ON NEXT FRAME >



c40_mh_eh_er_pr_v

ALTERNATE 5 POWER TILT ASSEMBLY PR

Ref No.	Part Number	Description	Qty	Remarks
41	6H5-4381A-00-00	. SHAFT	5	
42	6H5-43812-00-00	. SEAL, DUST	1	
43	6H5-43897-00-00	. O-RING	1	
44	6H5-43880-02-00	. MOTOR ASSEMBLY	1	
45	6H5-43826-00-00	. PLUG, TAPER SCREW	3	
46	6H5-43811-00-00	. SCREW, CYLINDER END	2	
47	6H5-4381F-00-00	. BRACKET	1	
48	6H5-43887-00-00	. BOLT, THROUGH	4	
49	6H5-43886-00-00	. BOLT	3	
50	6H5-43872-00-00	. RING, BACK UP	1	
51	91317-06020-00	. BOLT	4	
52	92995-06100-00	. WASHER, SPRING	12	
53	95600-12100-00	. NUT, U	1	
54	6G1-82127-00-00	. WIRE, LEAD 2	1	
55	6H5-4388A-00-00	. BOLT	1	