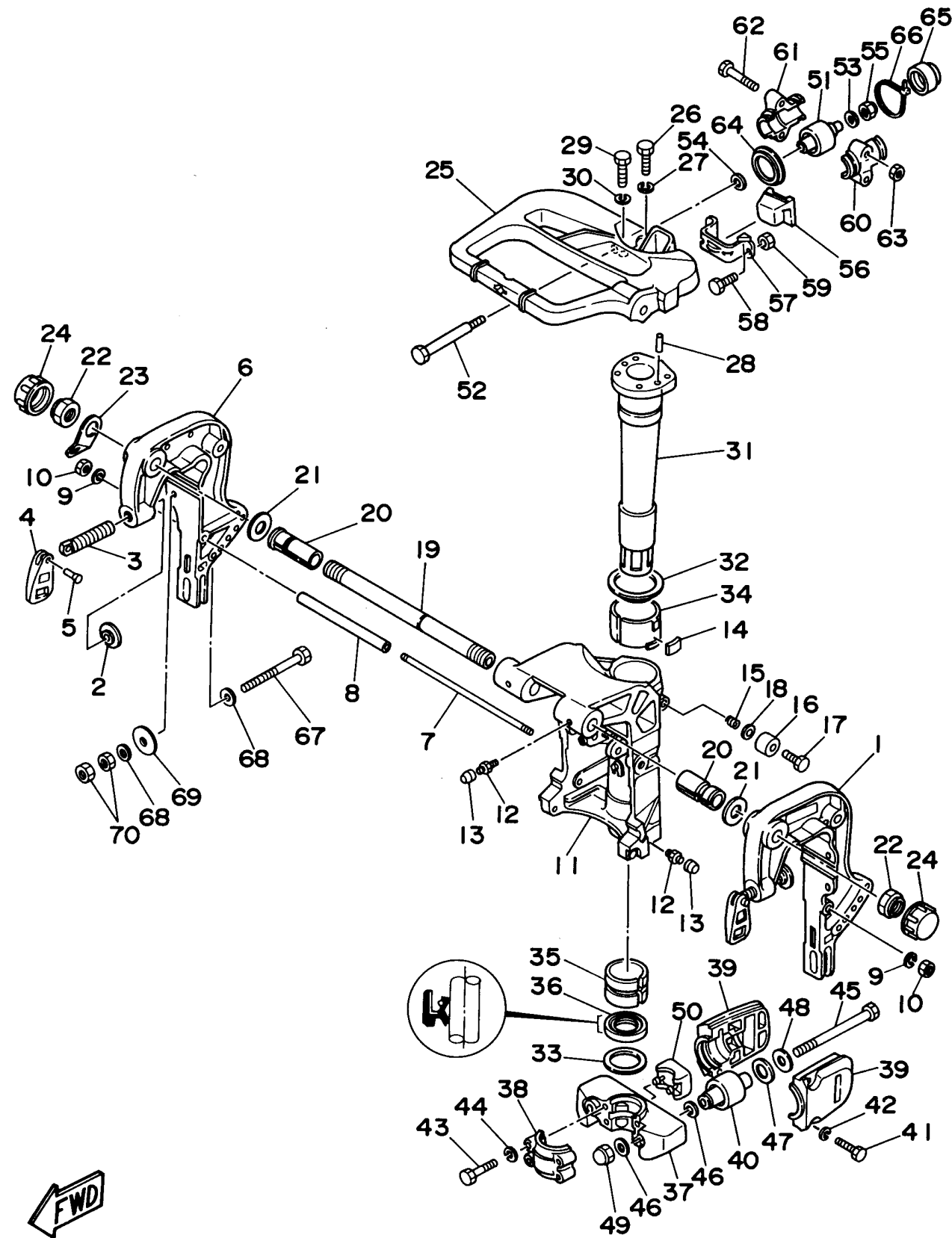


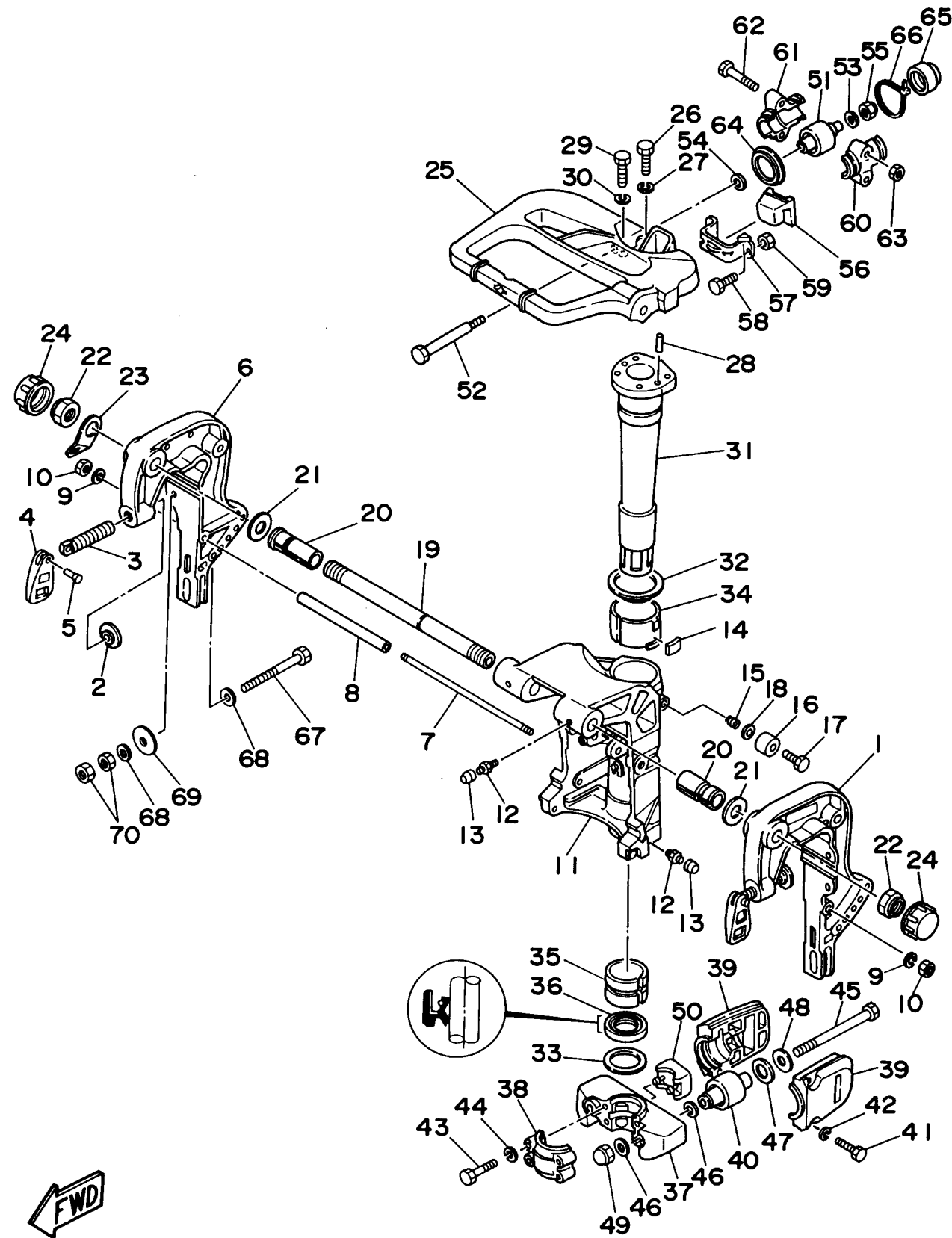
BRACKET 1 MH EH ER



Ref No.	Part Number	Description	Qty	Remarks
1	676-43111-04-4D	BRACKET, CLAMP	1	
2	648-43114-01-00	PAD, TRANSOM CLAMP	2	
3	676-43116-00-00	SCREW, TRANSOM CLAMP	2	
4	663-43118-01-4D	HANDLE, TRANSOM CLAMP	2	
5	90243-04007-00	PIN	2	
6	676-43112-04-4D	BRACKET, CLAMP	1	
7	90116-08M00-00	BOLT, STUD	1	
8	90387-08M02-00	COLLAR	1	
9	92990-08100-00	.WASHER, SPRING	2	
10	95380-08600-00	NUT	2	
11	676-43311-02-4D	BRACKET, SWIVEL	1	
12	93700-06M03-00	NIPPLE, GREASE	4	
13	663-45119-00-00	CAP, GREASE NIPPLE	4	AP
14	648-42528-00-00	PLATE, FRICTION	1	
15	90501-18M00-00	SPRING, COMPRESSION	1	
16	676-43373-00-00	SEAL, DAMPER	1	
17	97095-08025-00	.BOLT	1	
18	92990-08600-00	.WASHER, PLATE	1	
19	6J8-43131-01-00	BOLT, CLAMP BRACKET	1	
20	90386-22M15-00	BUSH	2	

CONTINUED ON NEXT FRAME >

BRACKET 1 MH EH ER

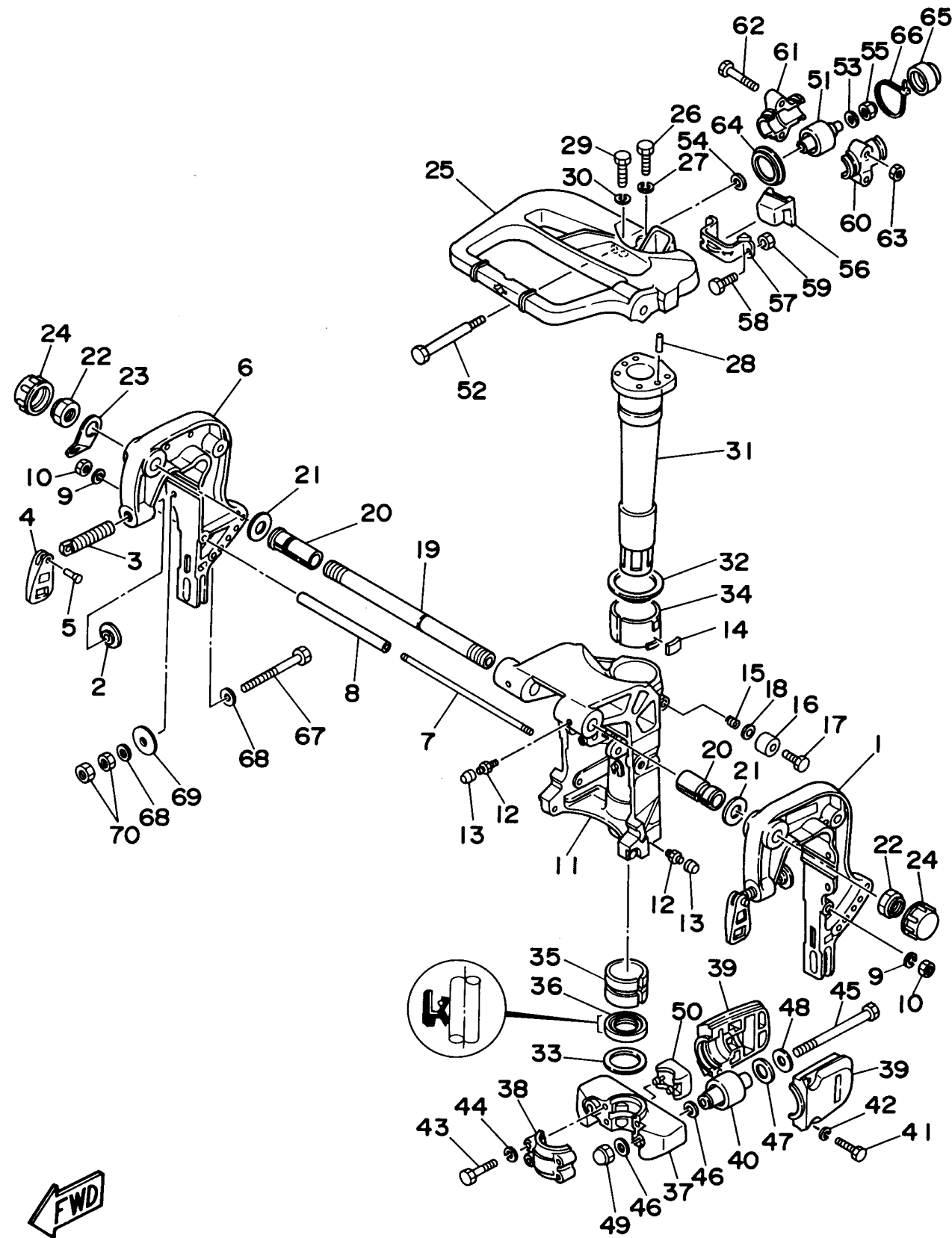


Ref No.	Part Number	Description	Qty	Remarks
21	90201-22M03-00	WASHER, PLATE	2	
22	90185-22M11-00	NUT, SELF-LOCKING	2	
23	6J8-43113-01-00	PLATE, CLAMP BRACKET	1	
24	6G5-43145-00-00	CAP, CLAMP BRACKET	2	
25	676-42511-02-4D	BRACKET, STEERING	1	
26	97095-08030-00	BOLT	2	
27	92990-08100-00	.WASHER, SPRING	2	
28	93608-12063-00	PIN, DOWEL	2	
29	97095-08035-00	BOLT	2	
30	92990-08100-00	.WASHER, SPRING	2	
31	676-42521-00-94	SHAFT, STEERING PIVOT	1	
32	90209-52M00-00	WASHER	1	
33	90201-44M01-00	WASHER, PLATE	1	
34	90386-52M02-00	BUSH	1	
35	90386-44M03-00	BUSH	1	
36	93109-44M00-00	OIL SEAL	1	
37	676-44551-01-4D	HOUSING, LOWER MOUNT RUBBER	1	
38	676-44552-01-4D	HOUSING, LOWER MOUNT RUBBER	1	
39	676-44553-01-4D	COVER, LOWER MOUNT	2	
40	679-44555-00-94	MOUNT DAMPER, LOWER SIDE	2	

CONTINUED ON NEXT FRAME >



BRACKET 1 MH EH ER

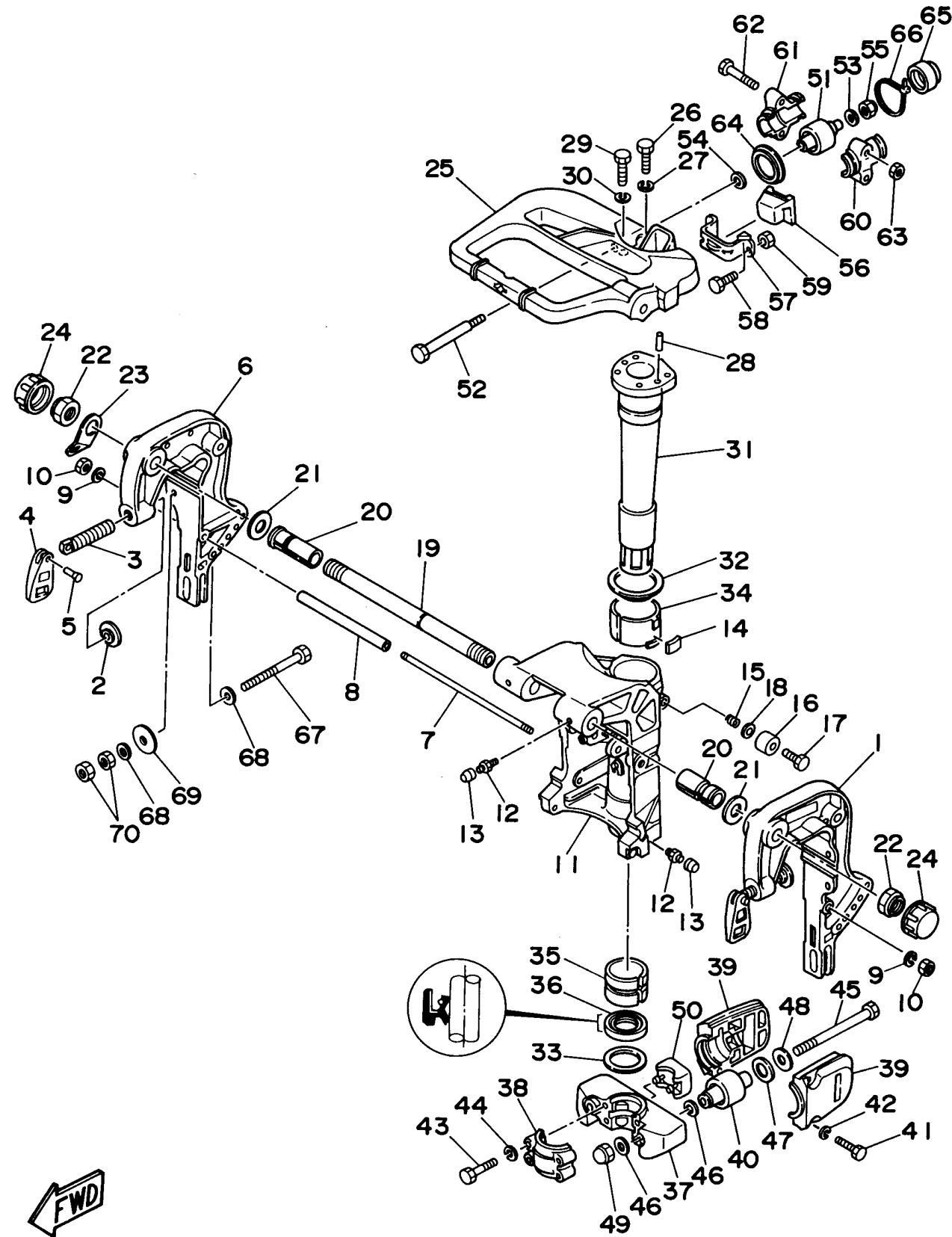


Ref No.	Part Number	Description	Qty	Remarks
41	97095-08030-00	BOLT	4	
42	92990-08100-00	.WASHER, SPRING	4	
43	97095-08045-00	.BOLT	4	
44	92990-08100-00	.WASHER, SPRING	4	
45	90101-12M01-00	BOLT	2	
46	90201-12M16-00	WASHER, PLATE	4	
47	90202-21100-00	WASHER, PLATE	2	
48	90201-13M11-00	WASHER, PLATE	2	
49	95380-12800-00	NUT, CROWN	2	
50	676-44575-00-00	DAMPER, LOWER MOUNT RUBBER	1	
51	679-44514-00-94	MOUNT DAMPER, UPPER SIDE	2	
52	90101-08M02-00	BOLT	2	
53	90201-08M08-00	WASHER, PLATE	2	
54	90201-09M00-00	WASHER, PLATE	2	
55	95780-08300-00	NUT, FLANGE	2	
56	676-44533-00-00	DAMPER, UPPER MOUNT RUBBER	1	
57	676-44518-00-00	BRACKET COMP.	1	
58	97095-06025-00	.BOLT	2	
59	95380-06600-00	NUT, HEXAGON	2	
60	676-44511-00-94	COVER, UPPER MOUNT	2	

CONTINUED ON NEXT FRAME >



BRACKET 1 MH EH ER



Ref No.	Part Number	Description	Qty	Remarks
61	676-44512-00-94	COVER, UPPER MOUNT	2	
62	97095-08050-00	.BOLT	4	
63	95380-08600-00	NUT	4	
64	676-44521-00-00	SEAL	2	
65	676-44522-01-00	SEAL	2	
66	90465-11M52-00	CLAMP	2	
67	90101-10M58-00	BOLT	4	
68	92990-10600-00	WASHER, PLATE	8	
69	90201-12426-00	WASHER, PLATE	4	
70	95380-10600-00	NUT	8	

