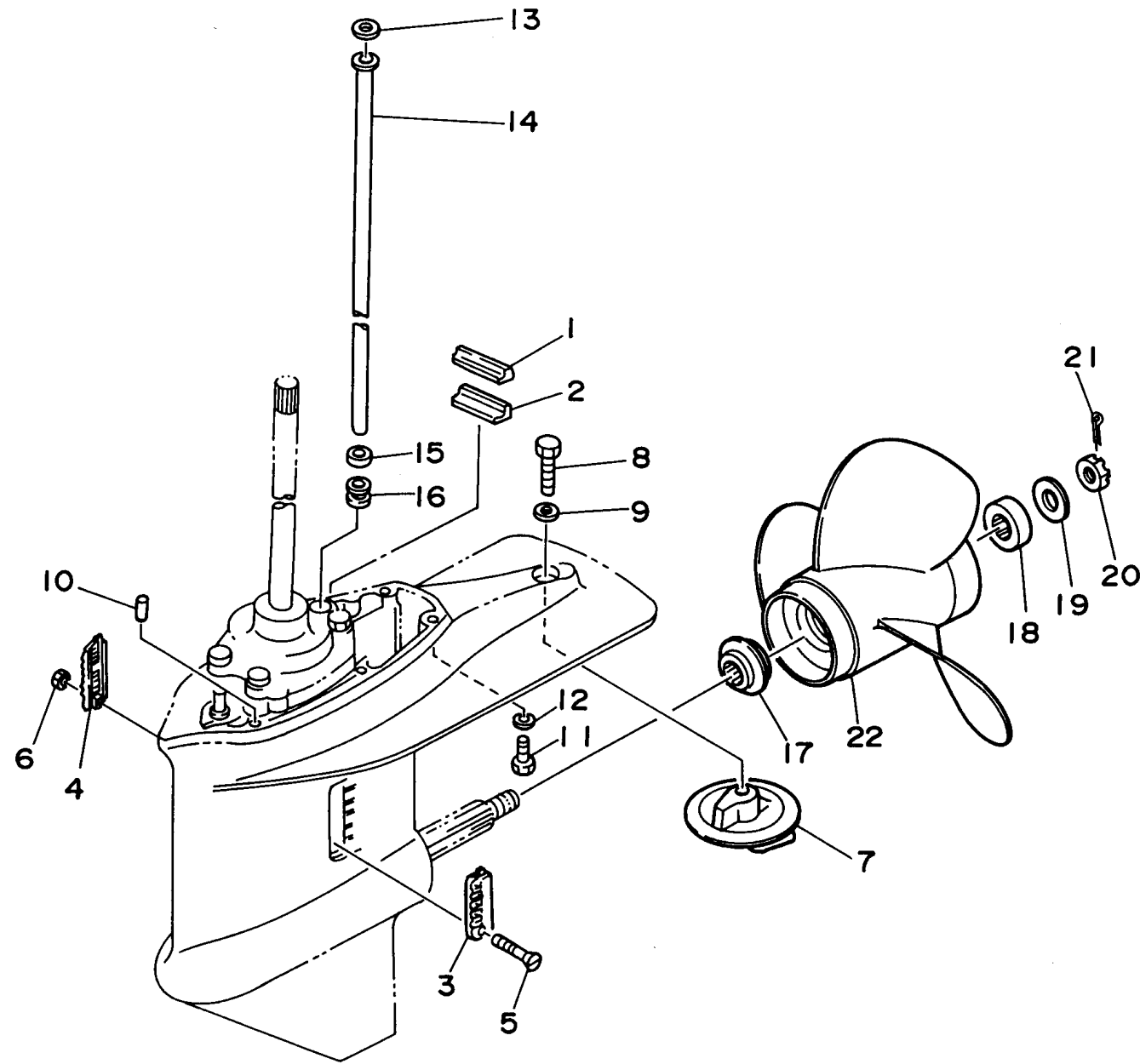


LOWER CASING DRIVE 2

Ref No.	Part Number	Description	Qty	Remarks
1	663-45375-00-00	DAMPER, SEAL	1	
2	663-45376-00-94	GUIDE, SEAL DAMPER	1	
3	688-45214-02-00	COVER, WATER INLET 1	1	
4	688-45215-02-00	COVER, WATER INLET 2	1	
5	90142-05M05-00	SCREW, COUNTERSUNK	1	
6	90185-05904-00	NUT, SELF-LOCKING	1	
7	679-45371-00-00	TAB-TRIM	1	
8	97095-10030-00	BOLT	1	
9	92990-10100-00	WASHER, SPRING	1	
10	93606-12019-00	PIN, DOWEL	2	
11	97095-08030-00	BOLT	6	
12	92990-08100-00	WASHER, SPRING	6	
13	90202-12060-00	WASHER, PLATE	1	
14	676-44361-10-00	TUBE, WATER	1	UR LONG
14	676-44361-00-00	TUBE, WATER	1	UR SHORT
15	90430-12072-00	GASKET	1	
16	663-44367-00-00	DAMPER, WATER SEAL 3	1	
17	663-45987-02-00	SPACER 1	1	
18	670-45997-02-00	SPACER	1	
19	92990-16200-00	WASHER, PLAIN	1	

CONTINUED ON NEXT FRAME >





LOWER CASING DRIVE 2

Ref No.	Part Number	Description	Qty	Remarks
20	90171-16011-00	NUT, CASTLE	1	
21	91490-30030-00	PIN, COTTER	1	
22	663-45972-60-98	PROPELLER (3X12"X11"-G)	1	UR S/S
22	663-45974-60-98	PROPELLER (3X11-1/2"X13"-G)	1	UR S/S
22	663-45976-00-98	PROPELLER (3X10-1/4"X15"-G)	1	UR S/S
22	663-45978-00-98	PROPELLER (3X10-1/4"X16"-G)	1	UR S/S
22	663-45930-00-98	PROPELLER (3X10-1/4"X14"-G)	1	UR S/S
22	663-45958-01-EL	PROPELLER (3X11-1/4"X14"-G)	1	UR ALUM
22	663-45949-01-EL	PROPELLER (3X10-3/4"X16"-G)	1	UR ALUM
22	663-45947-02-EL	PROPELLER (3X11-5/8"X11"-G)	1	UR ALUM
22	6H5-45943-00-EL	PROPELLER (3X10"X15"-G)	1	UR ALUM
22	663-45941-01-EL	PROPELLER (3X10-3/4"X17"-G)	1	UR ALUM
22	6H5-45952-00-EL	PROPELLER (3X10-3/8"X13"-G)	1	UR ALUM
22	663-45956-01-EL	PROPELLER (3X12-1/4"X9"-G)	1	UR ALUM
22	663-45970-60-98	PROPELLER (3X11-3/4"X12"-G)	1	UR S/S

