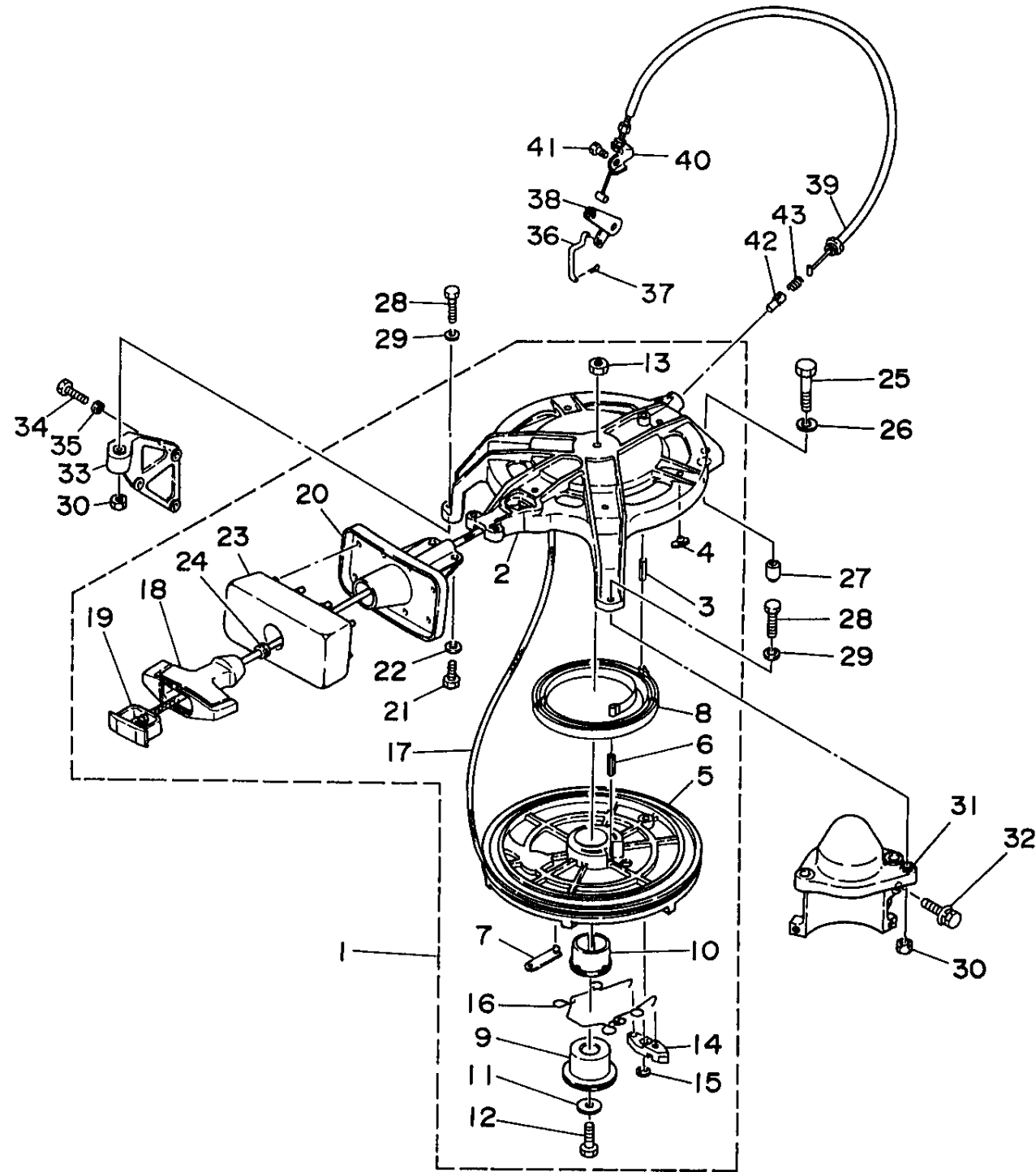


# STARTER

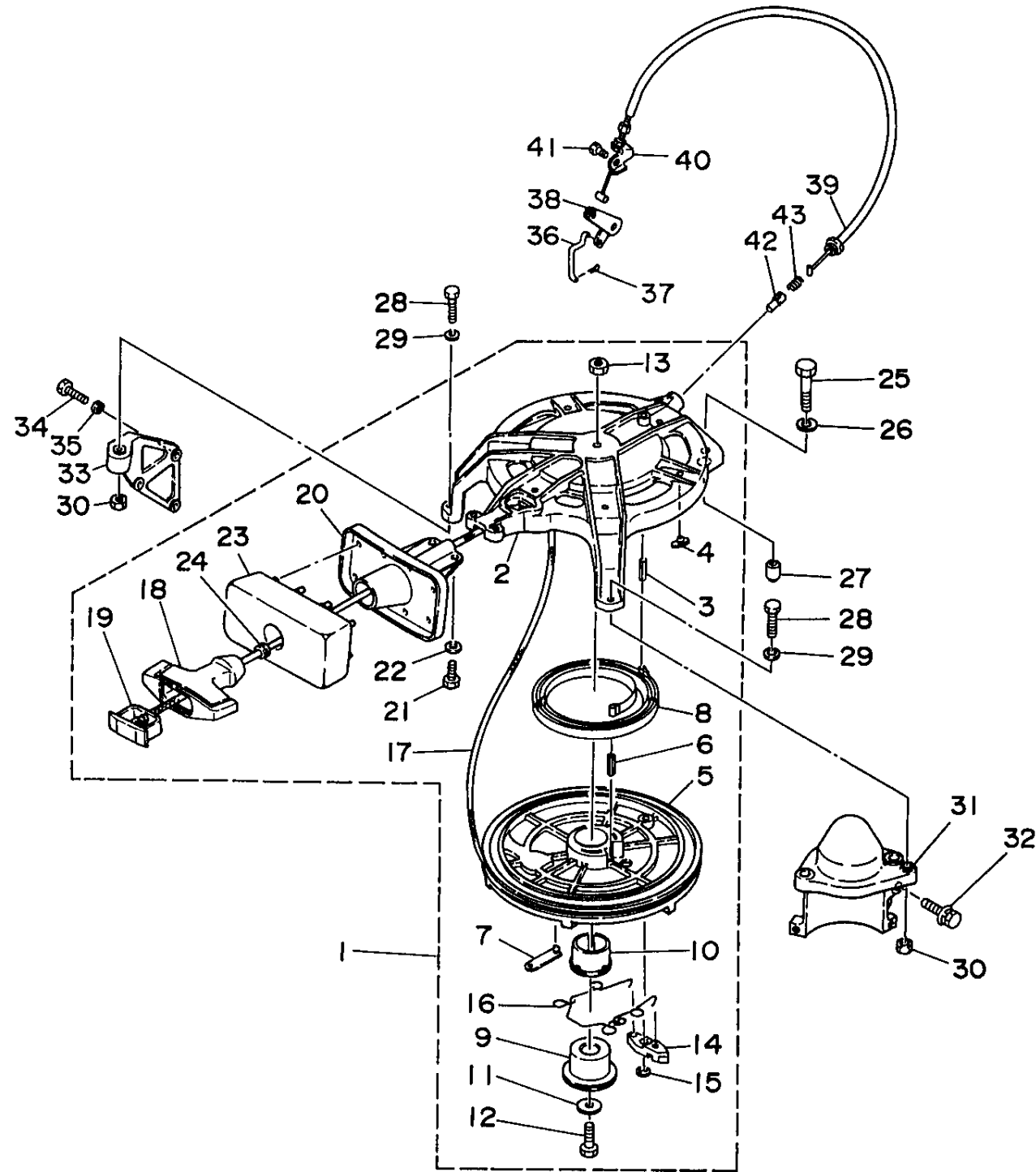


Ref No.	Part Number	Description	Qty	Remarks
1	6R6-15710-01-4D	STARTER ASSEMBLY	1	
2	676-15711-01-94	. CASE, STARTER	1	
3	91690-40020-00	. PIN, SPRING	1	
4	676-15773-00-00	. STAY 3	6	
5	676-15714-00-94	. DRUM, SHEAVE	1	
6	91690-40020-00	. PIN, SPRING	1	
7	676-15799-01-00	. CLIP	1	
8	90510-09M00-00	. SPRING, SPIRAL	1	
9	676-15717-00-00	. SHAFT, STARTER	1	
10	90386-35M01-00	. BUSH	1	
11	90201-08309-00	. WASHER, PLATE	1	
12	97013-08025-00	. BOLT	1	
13	95333-08600-00	. NUT	1	
14	676-15741-03-00	. .PAWL, DRIVE	1	
15	93430-06M02-00	. .CIRCLIP	1	
16	676-15705-00-00	. SPRING, DRIVE PAWL	1	
17	90580-50M01-00	. ROPE, STARTER	1	
18	689-15755-01-00	. .HANDLE, STARTER	1	
19	6F5-15779-02-00	. .COVER	1	
20	6R6-15758-01-4D	. GUIDE, ROPE	1	

CONTINUED ON NEXT FRAME >



# STARTER

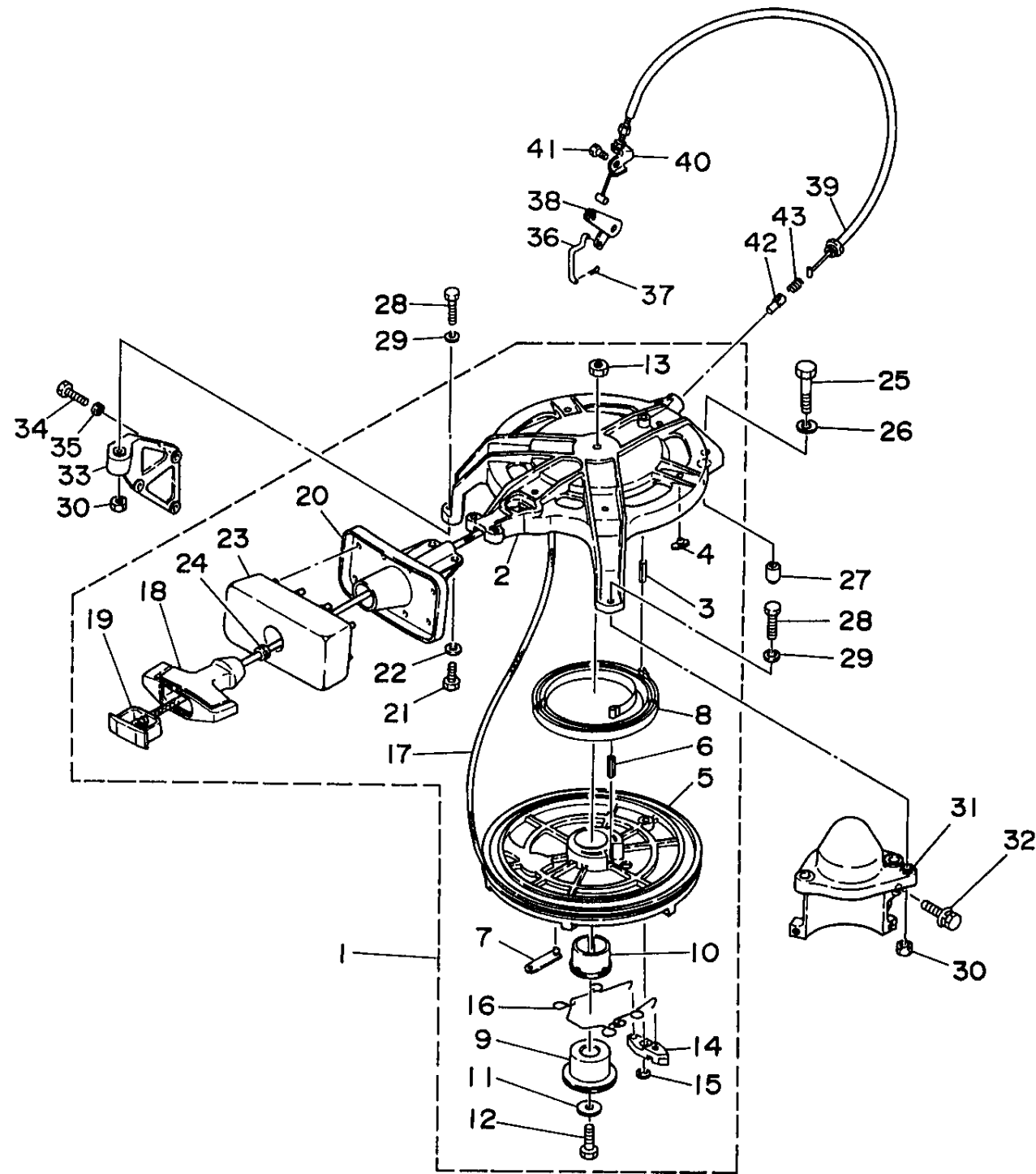


Ref No.	Part Number	Description	Qty	Remarks
21	97095-06016-00	. BOLT	2	
22	92990-06600-00	. .WASHER, PLATE	2	
23	6A0-15762-00-00	. SEAL, RUBBER 2	1	
24	6A0-15789-00-00	. .DAMPER	1	
25	97395-08040-00	BOLT	1	
26	92990-08100-00	.WASHER, SPRING	1	
27	99510-12016-00	PIN, DOWEL	1	
28	97095-06030-00	BOLT	2	
29	92995-06100-00	WASHER, SPRING	2	
30	95380-06600-00	NUT, HEXAGON	2	
31	6E9-15771-00-94	STAY 1	1	UR C40MH
31	6E9-15771-40-94	STAY 1	1	UR C40EH/ ER/PR
32	97513-08530-00	BOLT, WITH WASHER	3	UR C40MH
32	90119-08M25-00	BOLT, WITH WASHER	3	UR C40EH/ ER/PR
33	676-15772-00-94	STAY 2	1	
34	97095-06025-00	.BOLT	3	
35	92990-06600-00	.WASHER, PLATE	3	
36	676-15747-01-00	LINK	1	
37	91490-16010-00	PIN. COTTER	1	
38	676-15746-00-00	ARM	1	

CONTINUED ON NEXT FRAME >



# STARTER



Ref No.	Part Number	Description	Qty	Remarks
39	676-15770-00-00	CABLE COMP., STARTER STOP	1	
40	6A0-15774-00-00	STAY 4	1	
41	97013-06012-00	BOLT	1	
42	656-15748-00-00	PLUNGER, STARTER STOP	1	
43	90501-10227-00	SPRING, COMPRESSION	1	

